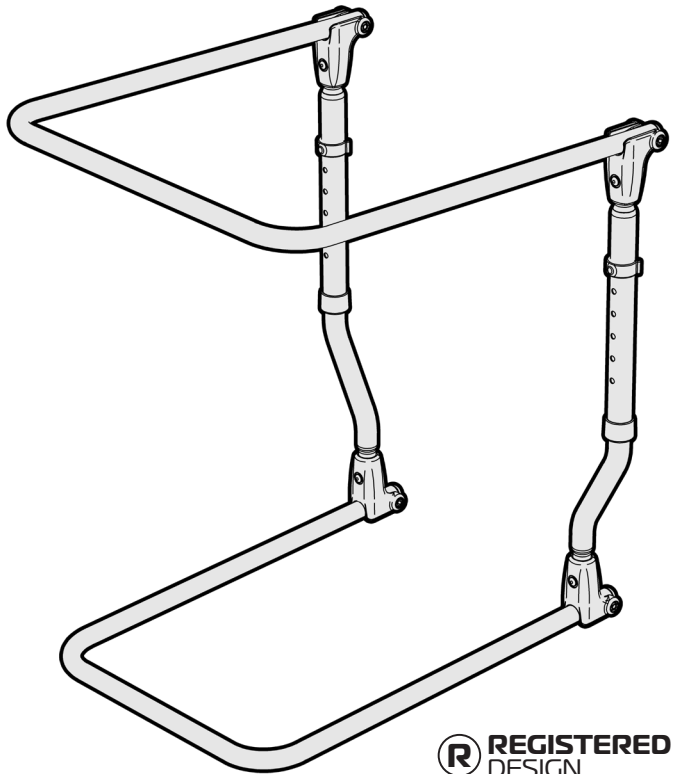


# ADJUSTABLE BLANKET SUPPORT

RG64ABS

Edition 1

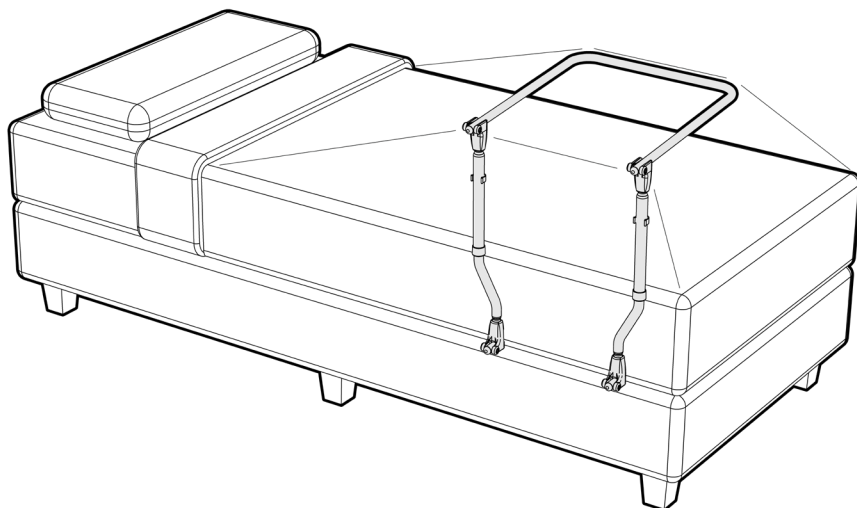


**R** REGISTERED  
DESIGN

## USER MANUAL

---

Please read and keep these instructions



## **REDGUM brand** ASSISTED LIVING PRODUCTS

**REDGUM Brand** owns the copyright to the adjustable blanket support user manual. Any information contained in this user manual shall not be photocopied, reproduced or translated into any other languages without the prior written consent of REDGUM Brand.

**REDGUM Brand** strives to provide the highest quality products possible. Products are subject to change without notice.

© Copyright **REDGUM Brand**

**FOR-DE**  
GROUP PTY LTD

**REDGUM Brand** is part of **FOR-DE Group Pty Ltd**

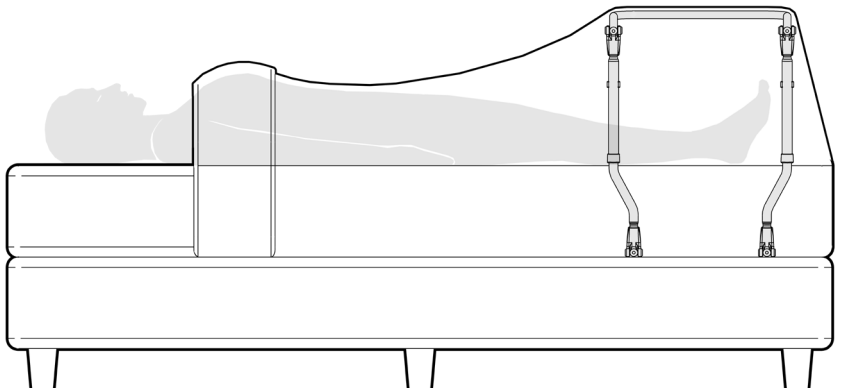
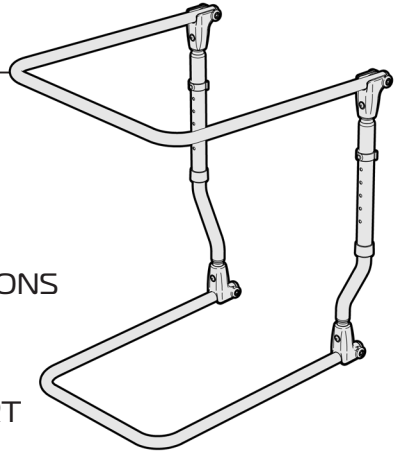
*ASK FOR THE BRAND*

**redgumbrand.com.au**

# CONTENTS

---

1. **INTRODUCTION** - INTENDED USE
2. **PRODUCT OVERVIEW** - FEATURES  
- SPECIFICATIONS
3. **SET UP** - UNPACK AND INSPECT  
**SET UP** - UNFOLD BLANKET SUPPORT
4. **SET UP** - UNFOLD BLANKET SUPPORT (continued)
5. **SET UP** - ADJUST HEIGHT
6. **SET UP** - ADJUST HEIGHT (continued)  
**USAGE GUIDELINES**
7. **PRODUCT CARE** - INSPECTIONS / CLEANING
8. **WARRANTY**



# INTRODUCTION

---

Thank you for purchasing this quality **REDGUM Brand** product.

If you have any issues or questions about the adjustable blanket support please contact your supplier or REDGUM Brand direct:

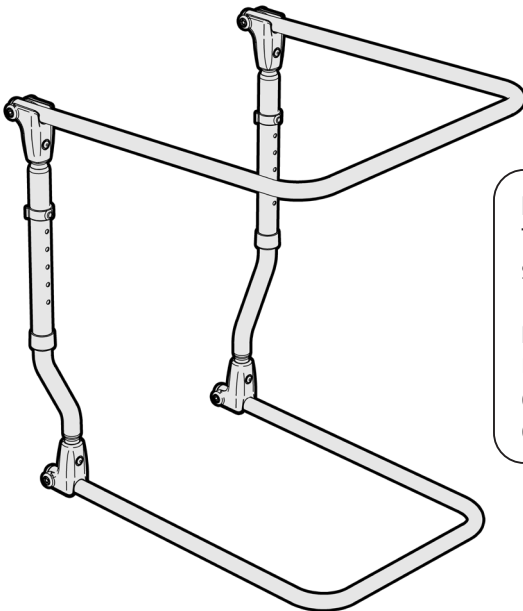
T: **+61 8 9248 4180** E: **orders@for-de.com.au**

## INTENDED USE

This product has limitations and should be used in accordance to these guidelines. Failure to follow these guidelines may result in damage to the product and injury to the user. It is the responsibility of the user to ensure the suitability of this product for its intended use.

The user should consult their appropriate healthcare professional if unsure of the correct product usage for their unique circumstances.

Only use your adjustable blanket support for its intended purpose which is as a device to suspend bedding over a person in bed. Do not use for any other purpose.



### **IMPORTANT NOTE**

This equipment **MUST** be set up by a competent person.

### **Maximum Supportive Load: 10kg**

Exceeding the weight limit could cause damage to the product and could put the user at risk.

1.

# PRODUCT OVERVIEW

## FEATURES

- Suspend bedding above person in bed.
- Two width settings to support bedding.
- Height adjustable (6 settings)
- Easily slides under mattress.
- Easy to remove and fit when making bed.
- Folds flat for transport and storage (70mm).
- Lightweight (2.5kg).

## SPECIFICATIONS

(All dimensions shown are nominal)

Widths:

Small frame end: **355mm**

Large frame end: **455mm**

Depth: **500mm**

Heights: **6 settings**

Hole 1: **570mm**

Hole 2: **595mm**

Hole 3: **620mm**

Hole 4: **645mm**

Hole 5: **670mm**

Hole 6: **695mm**

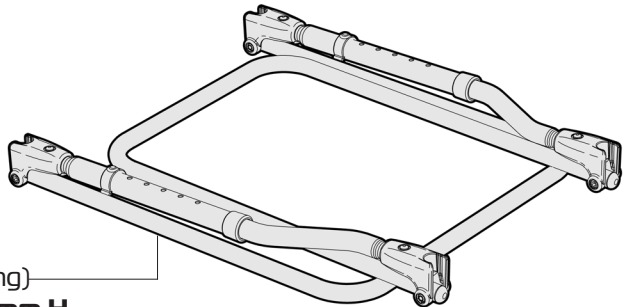
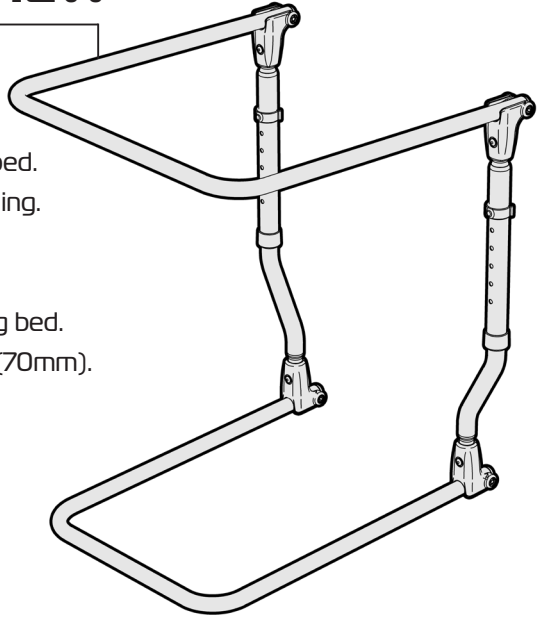
Folded (at lowest height setting)

**565mm L x 470mm W x 70mm H**

Product Weight: **2.5kg**

Maximum Supportive Load: **10kg**

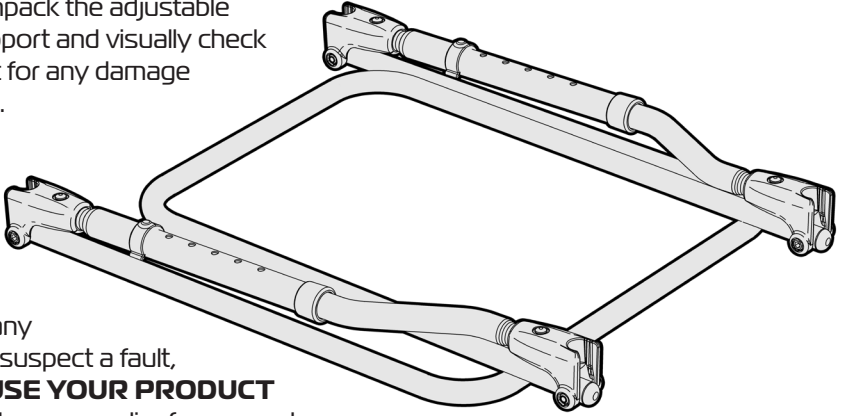
Please contact **REDGUM Brand** if you would like any further information on your adjustable blanket support.



# SET UP: UNPACK AND INSPECT

---

Carefully unpack the adjustable blanket support and visually check the product for any damage prior to use.



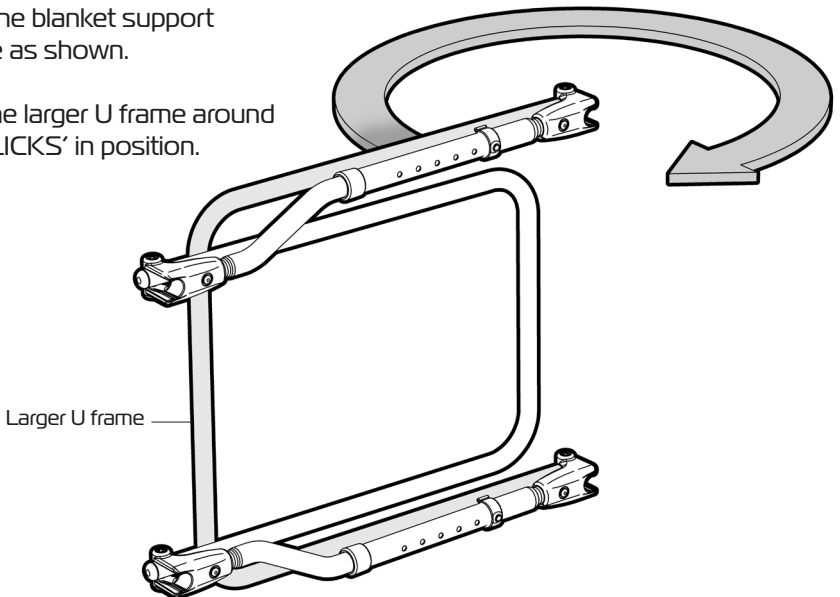
If you see any damage or suspect a fault, **DO NOT USE YOUR PRODUCT** and contact your supplier for support.

# SET UP: UNFOLD BLANKET SUPPORT

---

Please follow these instructions to unfold the adjustable blanket support.

1. Position the blanket support on its side as shown.
2. Rotate the larger U frame around until it 'CLICKS' in position.



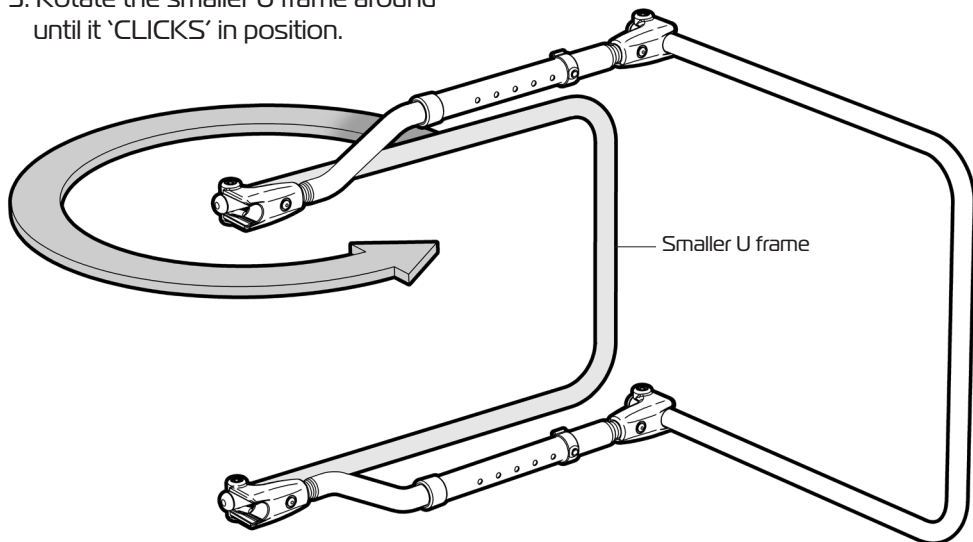
3.

ASK FOR THE BRAND

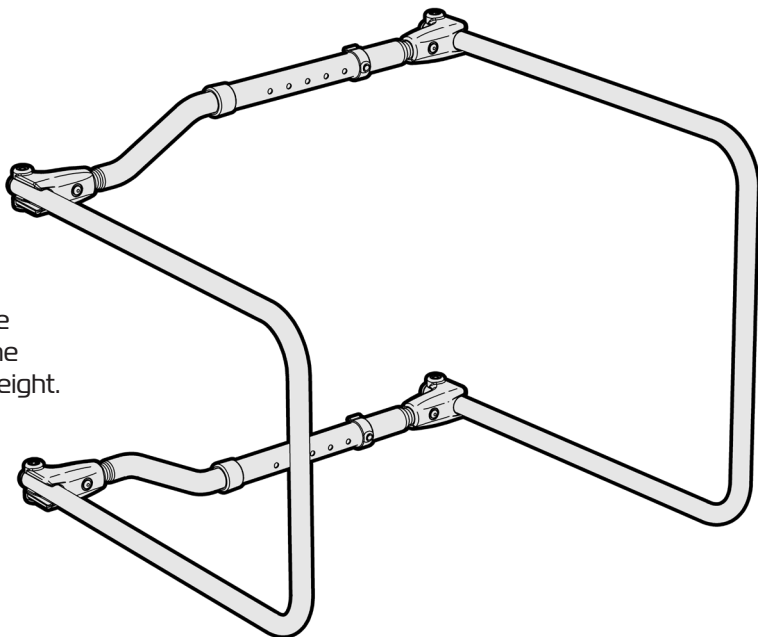
redgumbrand.com.au

# SET UP: UNFOLD BLANKET SUPPORT

3. Rotate the smaller U frame around until it 'CLICKS' in position.



Refer to next page about adjusting the blanket support height.



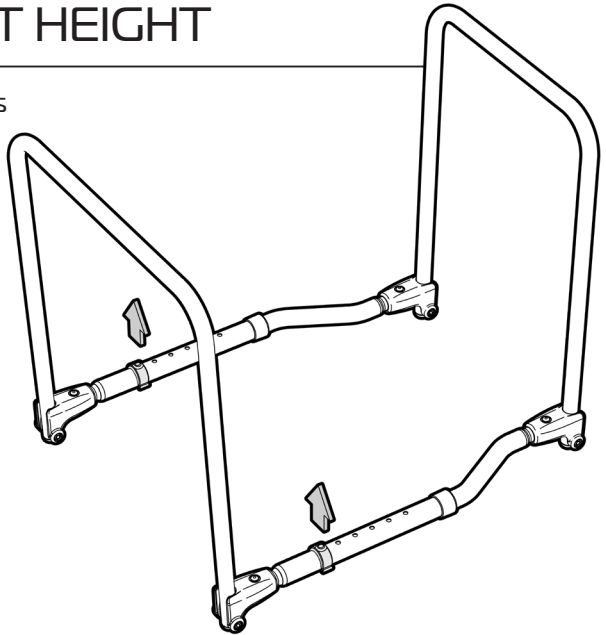
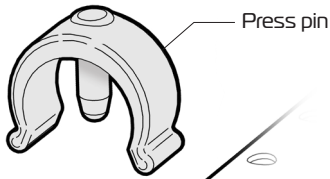
4.

# SET UP: ADJUST HEIGHT

Please follow these instructions to adjust the height of the adjustable blanket support.

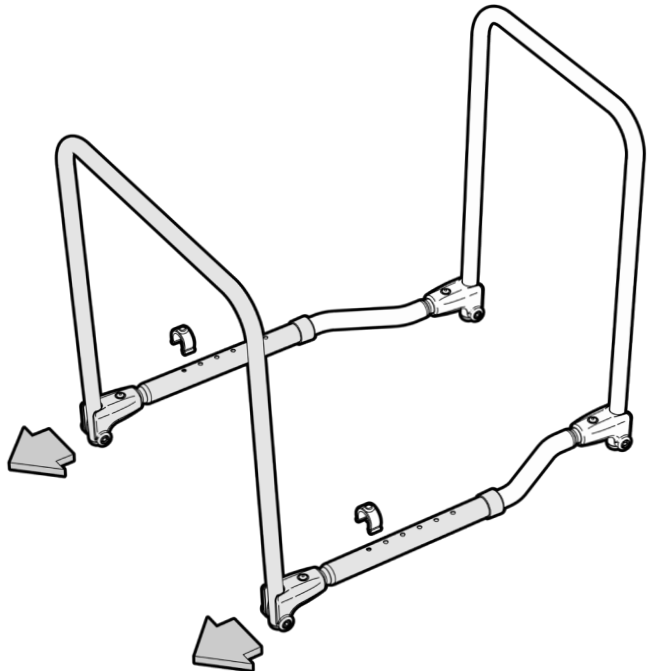
1. Position the blanket support on its back as shown.

2. Remove both the press pins from the frame.



3. Pull out the frame to the required height:

- Hole 1: **565mm**
- Hole 2: **590mm**
- Hole 3: **615mm**
- Hole 4: **640mm**
- Hole 5: **665mm**
- Hole 6: **690mm**



5.

ASK FOR THE BRAND

redgumbrand.com.au

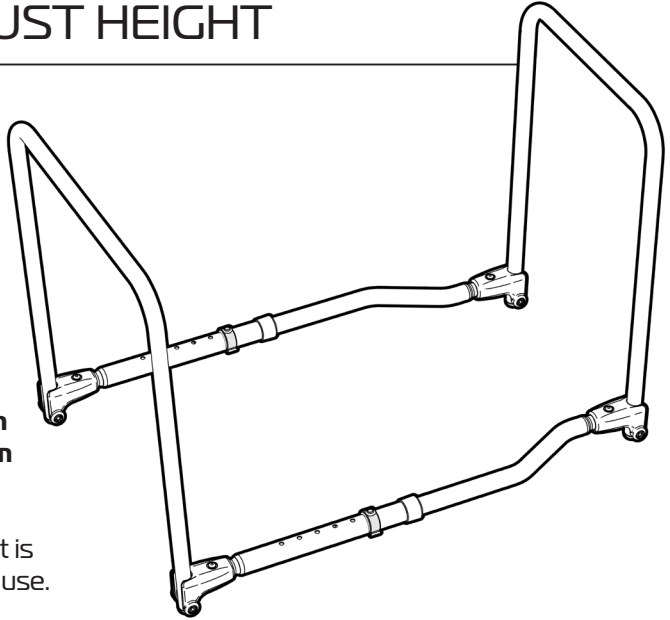


# SET UP: ADJUST HEIGHT

4. Align the holes and refit the press pins to hold the blanket support at the required height.

5. Flip the blanket support onto the preferred end:  
- Small frame end: **370mm**  
- Large frame end: **470mm**

Adjustable blanket support is now ready to fit to bed for use.



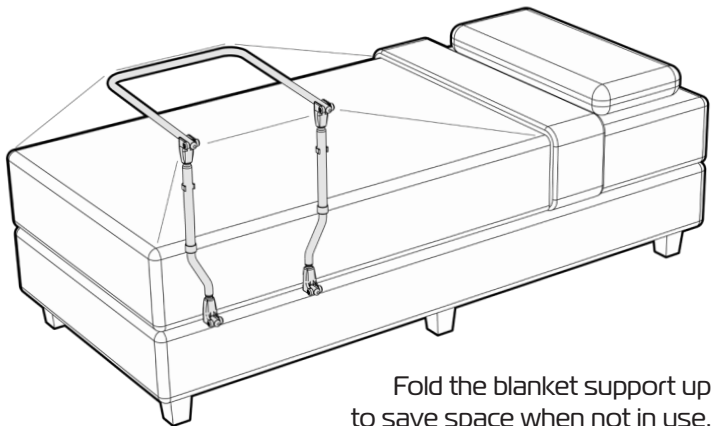
## USAGE GUIDELINES

Please follow these guidelines when using the adjustable blanket support.

Prior to putting the top sheet / blankets etc on the bed - slide the blanket support in between the base of the bed and the mattress. Then place the bedding over the top of the frame to suspend over the person in bed.

Do not place anything on top of the blanket support other than bedding.

Maximum Supportive Load: **10kg**



Fold the blanket support up to save space when not in use.

**8.**

# PRODUCT CARE - INSPECTIONS / SERVICING / CLEANING

## INSPECTIONS

We suggest that you visually check the adjustable blanket support periodically for signs of damage or wear prior to use. Overall check that no components are loose or worn.



**Withdraw the adjustable blanket support immediately if you suspect damage or any other fault. If in any doubt, please do not issue or use, but immediately contact your supplier for service support.**

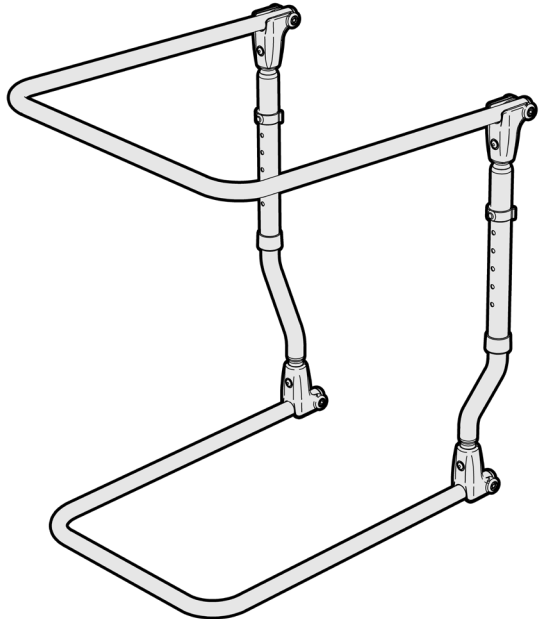
## CLEANING

We recommend that you attend to any required cleaning as soon as possible to reduce the possibility of staining.

Clean the adjustable blanket support using a disinfectant wipes.  
We do not recommend cleaning the product with soap and water.

Do not use any abrasive cleaners or abrasive cleaning pads as they could damage the adjustable blanket support.

If you have any questions about the cleaning of the product please contact your supplier or REDGUM brand direct.



# WARRANTY

---

REDGUM Brand adjustable blanket support (RG64ABS) is covered by a 12 month warranty from the date of purchase.

If the product has any manufacturing faults during this period contact the place of purchase for assessment. Failures as a result of **ACCIDENTAL MISUSE, MODIFICATION OR WEAR AND TEAR ARE NOT COVERED BY THIS WARRANTY.**

During the guarantee period, if the company is satisfied there is a genuine fault, we will repair or replace the product at our earliest convenience. There may be freight charges if product needs to be returned to your place of purchase.

In order for this guarantee to be valid, you must:

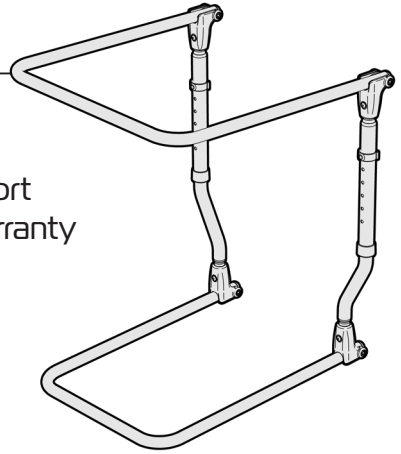
- Be the original purchaser
- Provide a copy of the original invoice.
- Comply with manufacturer care and maintenance instructions.

Our goods come with guarantees that cannot be excluded under the Australian Consumer Law. You are entitled to a replacement part for a major failure and for compensation for any other reasonably foreseeable loss or damage. You are entitled to have the goods repaired or replaced if the goods fail to be of acceptable quality and failure does not amount to major failure.

Do not modify the adjustable blanket support in any way or fit any parts or accessories that are not specified as an option. To do so will void your warranty and may seriously compromise your safety.

If you have any issues or questions about the adjustable blanket support please contact your supplier or REDGUM Brand direct on:

T: **+61 8 9248 4180**      E: **orders@for-de.com.au**





**DISTRIBUTOR:**



PROUDLY  
**AUSTRALIAN**  
Owned + Operated