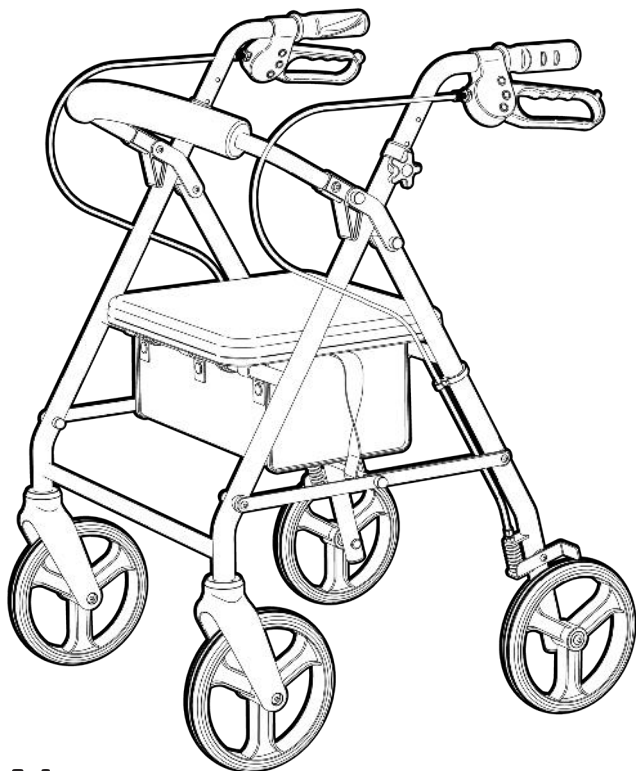


# BASICS

by REDGUM

## SEAT WALKER

B4204S



## USER MANUAL

---

Please read and keep these instructions

# BASICS

by REDGUM

**BASICS by Redgum** owns the **copyright** to the **Seat Walker** user manual. Any information contained in this user manual shall not be photocopied, reproduced or translated into any other languages without the prior written consent of **BASICS by Redgum**.

**BASICS by Redgum** strives to provide the highest quality products possible. Product is subject to change without notice.

© Copyright **BASICS by Redgum** 2021



**BASICS by Redgum** is part of **FOR-DE Group Pty Ltd**

[redgumbrand.com.au](http://redgumbrand.com.au)

# CONTENTS

---

1. **INTRODUCTION** - INTENDED USE
2. **PRODUCT OVERVIEW** - FEATURES / SPECIFICATIONS
3. **SET UP** - UNPACK and INSPECT SUPPLIED PARTS
4. **ASSEMBLY** - UNFOLD FRAME
5. **ASSEMBLY** - INSTALL HANDLES
6. **ASSEMBLY** - INSTALL HANDLES (continued)
7. **ASSEMBLY** - INSTALL PADDED BACKREST
8. **SET UP** - HANDLE HEIGHT ADJUSTMENT
9. **OPERATION** - HAND BRAKES
10. **OPERATION** - HAND BRAKE ADJUSTMENT
11. **OPERATION** - FOLDING SEAT WALKER
12. **USAGE GUIDELINES** - DO's + DON'Ts
13. **PRODUCT CARE** - INSPECTIONS / CLEANING
14. **WARRANTY**
15. **BASICS by Redgum** - PRODUCT RANGE
16. **NOTES**



# INTRODUCTION

---

Thank you for purchasing this quality **BASICS by Redgum** product.

If you have any issues or questions about the Seat Walker please contact your supplier or **BASICS by Redgum** direct:

T: +61 8 9248 4180

E: sales@for-de.com.au

A: 1 Business Way, Malaga Western Australia 6090

## INTENDED USE

This product has limitations and should be used in accordance to these guidelines. Failure to follow these guidelines may result in damage to the product and injury to the user. It is the responsibility of the user to ensure the suitability of this product for its intended use. The user should consult their appropriate healthcare professional if unsure of the correct product usage for their unique circumstances.

Only use the Seat Walker for its intended purpose which is as stability aid on which to lean on for support to maintain balance whilst standing or walking.

Refer to usage guideline page for information on how to use the Seat Walker in a safe manner.



### IMPORTANT NOTE

This equipment **MUST** be set up for use by a competent person.

# PRODUCT OVERVIEW

---

## FEATURES

- Great walking aid
- User friendly loop brakes
- Height adjustable handles
- Ergonomic handgrips to reduce pressure
- Comfortable padded seat
- Storage bag underneath seat.
- Padded backrest
- Simple brake cable adjustment
- Large diameter wheels for excellent mobility
- Flat free tyres
- Swivelling front wheels
- Folds up for transit or storage



## SPECIFICATIONS (All dimensions shown are nominal)

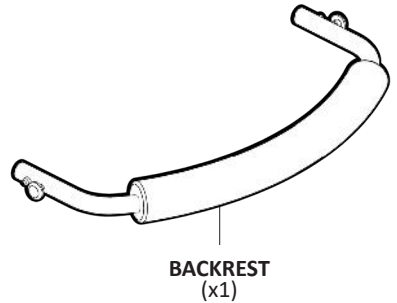
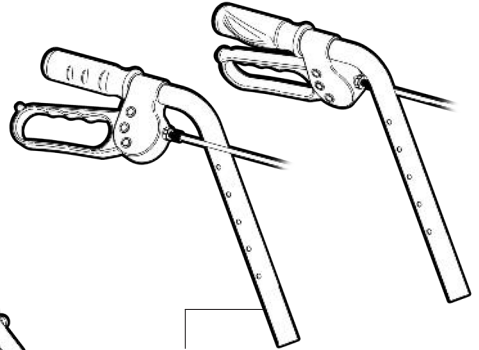
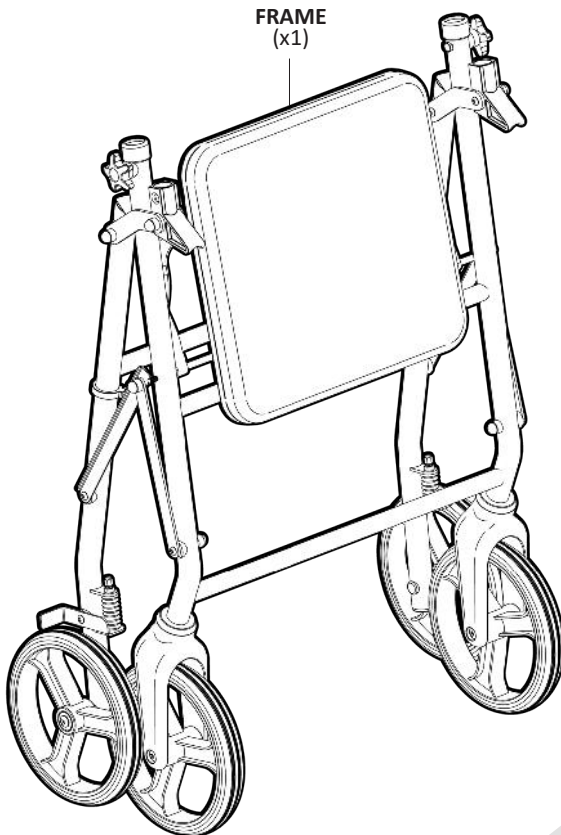
- Overall Width: **620mm**
- Depth Unfolded: **650mm**
- Depth Folded: **230mm (with handles removed)**
- Overall Height: **840mm (handles at lowest setting)**
- Handle Height: **840 - 990mm (8 settings)**
- Seat: **360mm (W) x 310mm (D)**
- Seat Height: **570mm (from floor to top of seat)**
- Wheel Diameter: **Ø200mm / 8"**
- Product Weight: **8.7kg**
- Maximum User Weight: **136kg**

Please contact **BASICS by Redgum** if you would like any further information on the Seat Walker .

# SET UP - UNPACK and INSPECT SUPPLIED PARTS

Ensure you have been supplied with the following parts:

We recommend that you visually inspect the Seat Walker parts prior to assembly:

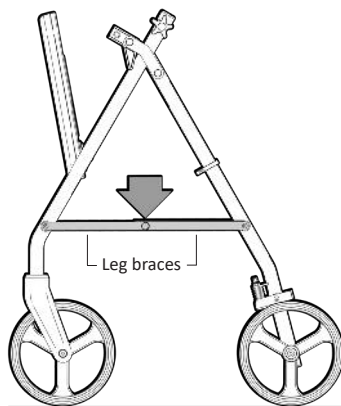
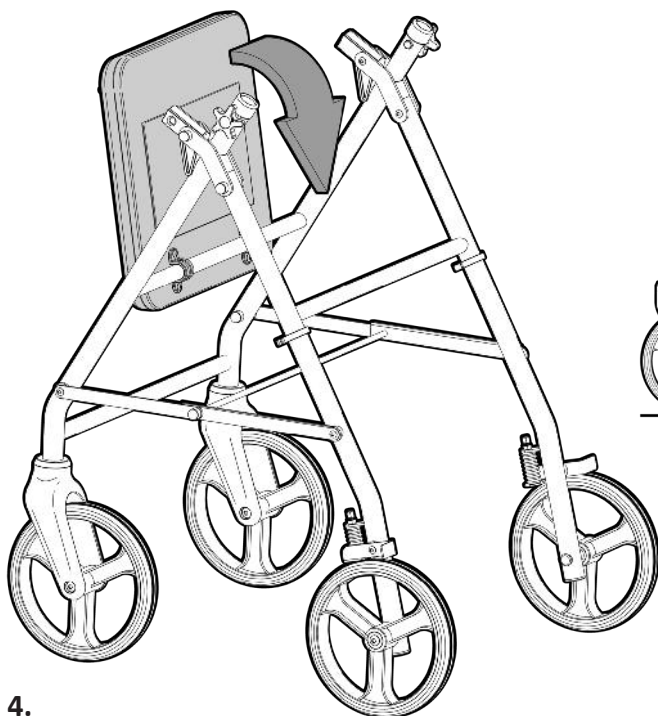
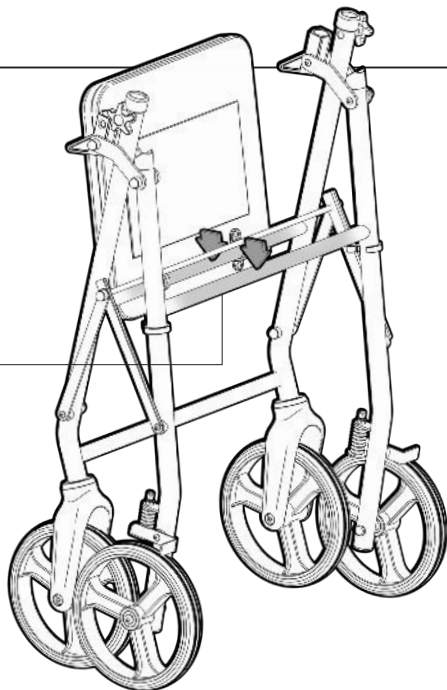


**IMPORTANT NOTE:**  
If you see any damage  
suspect a fault  
or parts are missing  
**DO NOT ASSEMBLE THE PRODUCT**  
and contact your supplier for support.

# ASSEMBLY- UNFOLD FRAME

Please follow these steps to unfold the Seat Walker frame correctly:

1. Position the Seat Walker so all four wheels are touching the ground.
2. Push down and pull out on the cross bars as shown to open up the frame.
3. Press down on the outer leg braces to ensure frame has fully opened out.
4. Gently lower seat down onto cross tube.



4.

# ASSEMBLY- INSTALL HANDLES

Please follow these steps to install the handles onto the Seat Walker correctly:

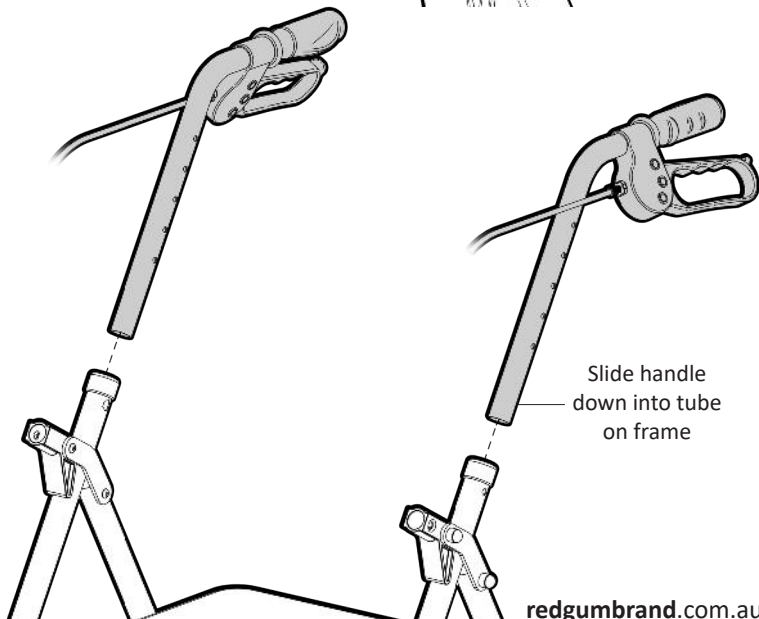
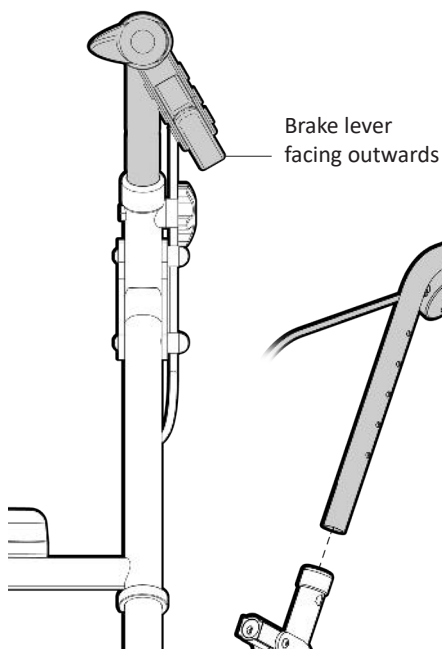
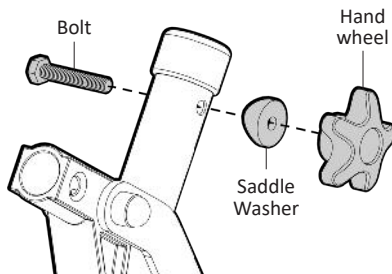
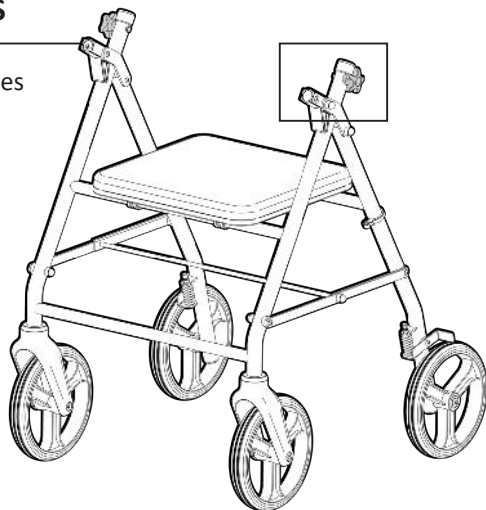
1. Undo the handwheel and remove the saddle washer and bolt from frame.

## IMPORTANT NOTE

The handles are left and right handed and need to be fitted to the correct side of frame. **Ensure the brake lever is facing outwards.**

2. Slide handle down into open tube on frame.

Refer to next page for further instruction...



5.



# ASSEMBLY- INSTALL HANDLES (continued)

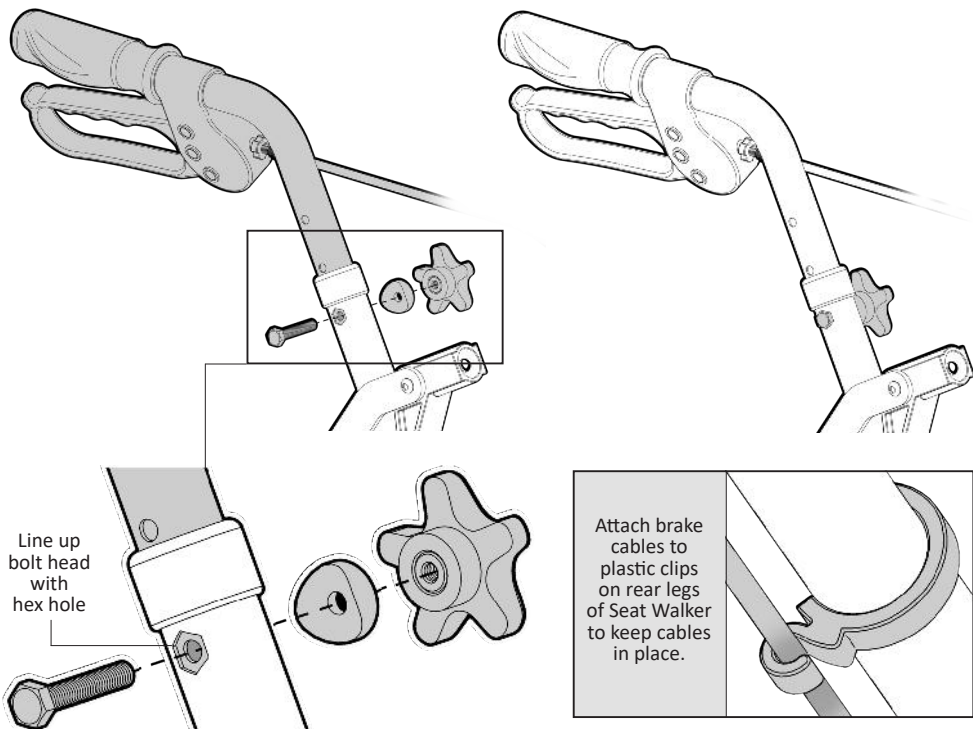
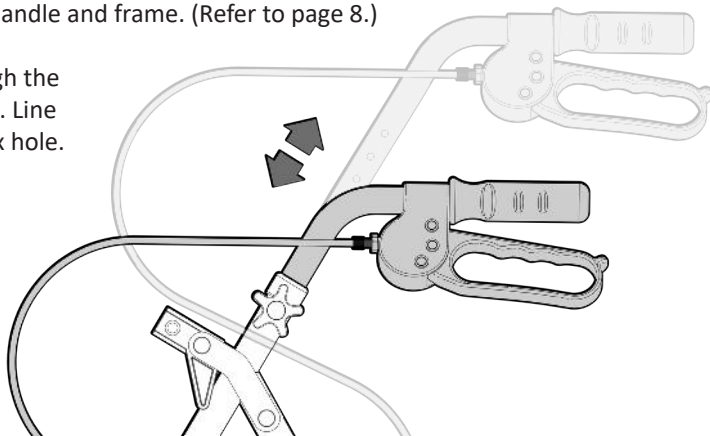
3. Position handle to the required height setting.  
by aligning holes in handle and frame. (Refer to page 8.)

4. Insert the bolt through the  
hex hole in the frame. Line  
up bolt head with hex hole.

5. Fit saddle washer  
onto bolt with the  
curved face  
toward frame.

6. Screw handwheel  
onto bolt to fix  
handle into position.

7. Repeat process to fit other handle.

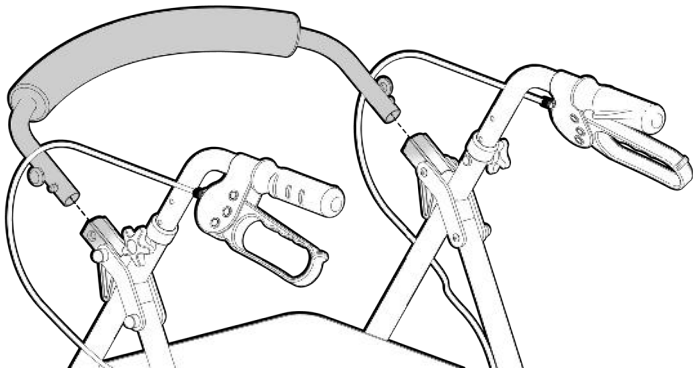


6.

# ASSEMBLY - INSTALL PADDED BACKREST

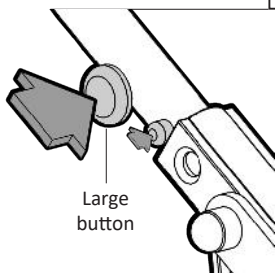
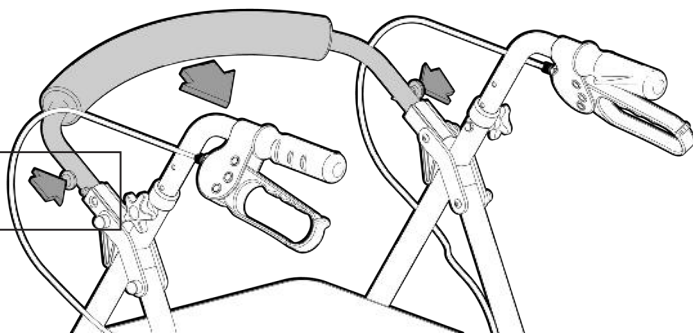
Please follow these steps to install the padded backrest correctly onto the Seat Walker:

1. Line up the tubes on the padded backrest with the pivot brackets on the frame.

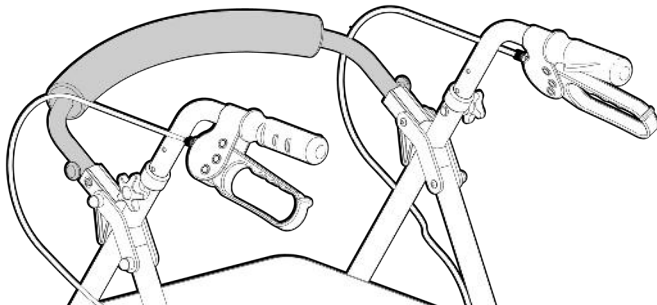


2. Push the backrest tubes into the pivot brackets

3. Press in both large buttons on either side of the backrest and continue to slide the backrest tubes into the pivot brackets.



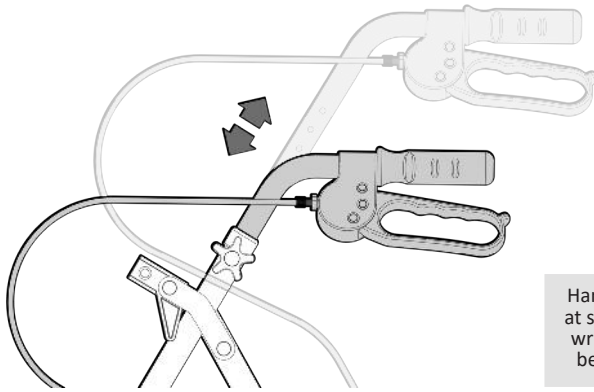
4. Continue to push the backrest in until you hear 2 audible "CLICKS". These clicking sounds confirm that the backrest is properly fitted to the Seat Walker.



# SET UP - HANDLE HEIGHT ADJUSTMENT

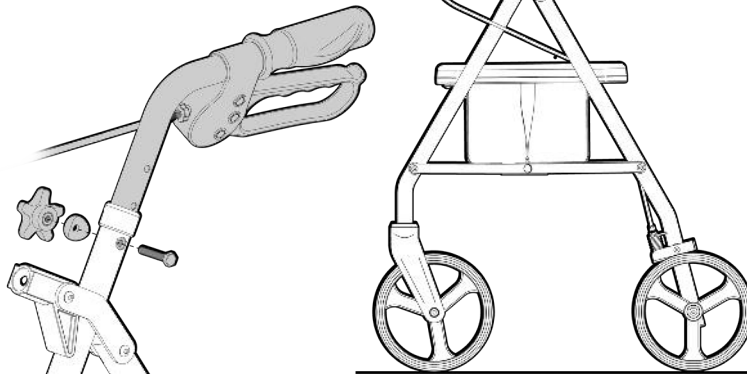
It is very important that the handles on the Seat Walker are set to the correct height to suit the user. Follow these steps to set the handle height to provide the best support:

1. Stand behind the walker with your shoulders relaxed and your arms hanging loosely at your sides.
2. The height of the handles should be adjusted so that they are level with your wrists. This will position the arms at the recommended 20 degree bend in the elbow when using the Seat Walker.



Handles should be set at same height as your wrists when standing behind Seat Walker.

Refer to page 6. for information on how to set handle height

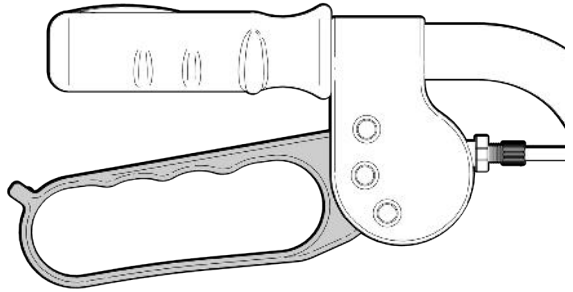


# OPERATION - HAND BRAKES

The Seat Walker has closed loop hand brakes on both handles.

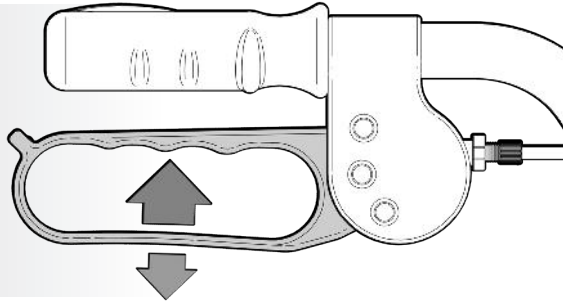
## IMPORTANT NOTE

Both hand brakes should be used simultaneously to ensure your seat walker stops as required and you are in control.



To STOP, gently pull upwards on both brakes simultaneously. This will slow down and stop the seat walker.

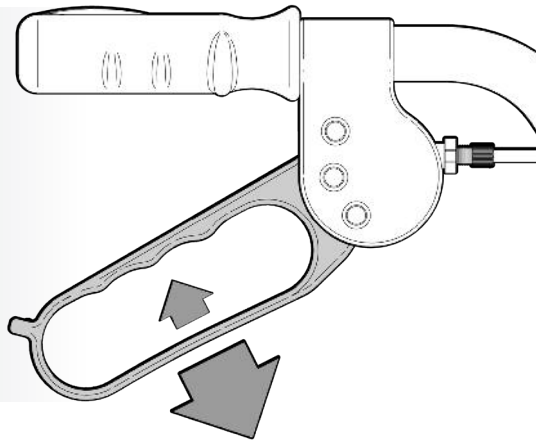
Release both brakes to allow the seat walker to become mobile again.



The brakes on your seat walker also have a park brake option.

To engage the park brake: Push downwards on both brakes simultaneously. Push the brakes down until you hear a click.

To unlock, simply pull the brakes up. You will hear a click as the 'park lock' disengages.



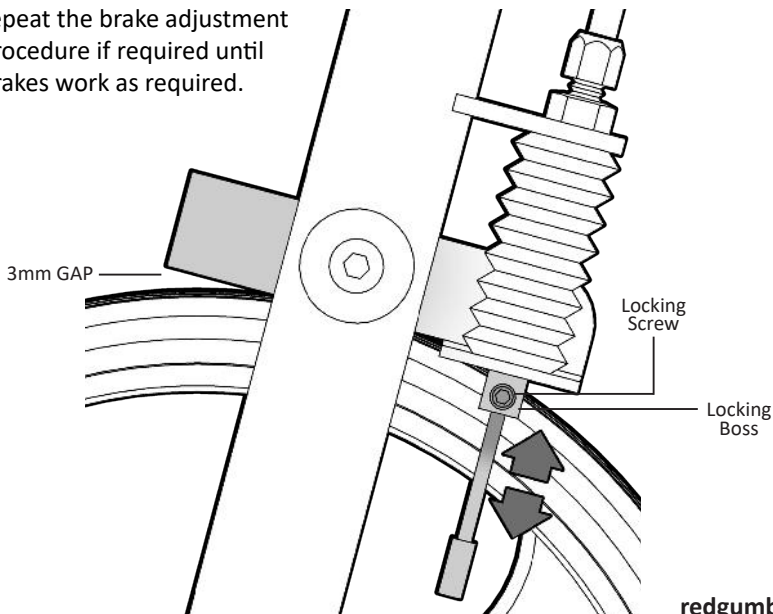
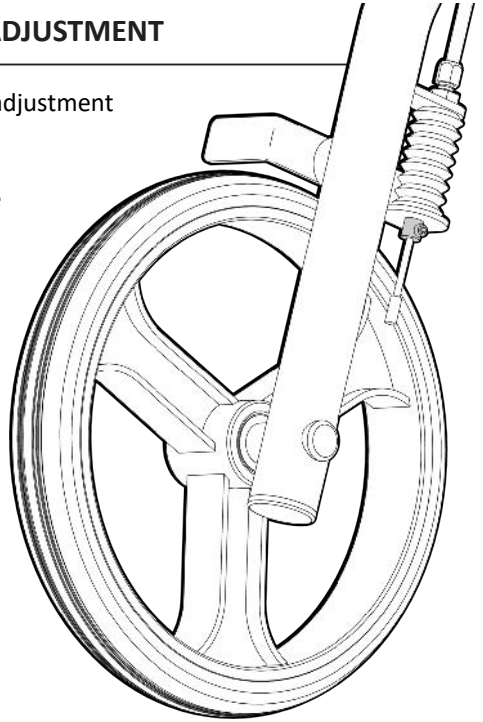
# OPERATION - HAND BRAKE ADJUSTMENT

The Seat Walker brake system might require adjustment from time to time.

Adjustment is required when either the brake or park brake no longer stops the rear wheel from spinning.

To adjust the brake:

1. Carefully release the locking screw using a suitable allen key (not supplied).
2. Adjust the brake arms until it clear the wheel by approx. 3 mm.
3. Re-position the locking boss to be hard up against the brake body.
4. Retighten the locking screw.
5. Check the brake to ensure the wheel stops spinning when the brake is on.
6. Repeat the brake adjustment procedure if required until brakes work as required.



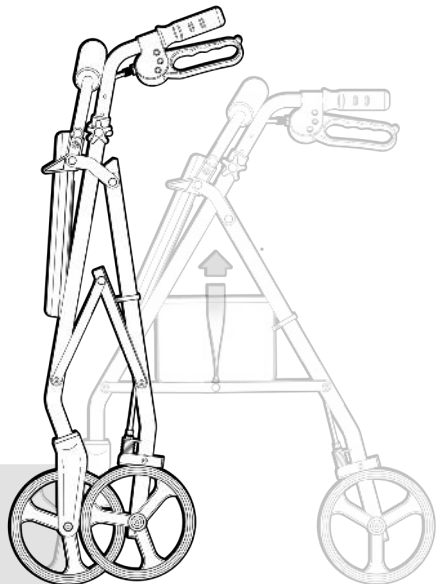
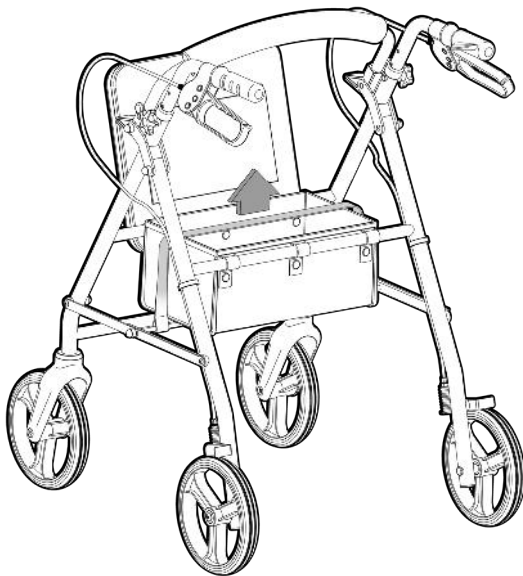
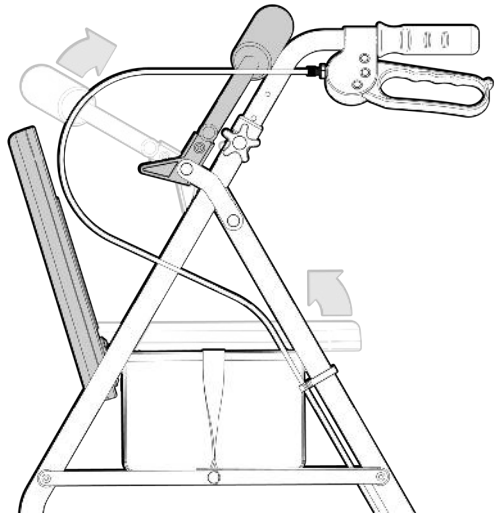
# OPERATION - FOLDING SEAT WALKER

Your Seat Walker can be folded up to reduce the amount of room it takes up when being transported or stored.

Please follow these steps to fold the Seat Walker correctly:

1. Rotate the padded backrest up.
2. Rotate the padded seat up.
3. Pull up on the fabric strap.  
As you pull up, the frame will start to come together.

Refer to page 4. to unfold frame properly.



Take care when Seat Walker is in the folded position as it will fall over if not supported or laid down.

# USAGE GUIDELINES - DO's + DON'TS

---

Please follow these guidelines to get the optimal benefit from the Seat Walker.

Failure to follow these guidelines may result in damage to the Seat Walker and put the user at risk.

The Seat Walker is designed to take **136kg Maximum Load**.

Do not overload the product!

Do not overload the storage bag under seat.  
(Max. load: 5kg)

The Seat Walker is designed to be used indoors and outdoors.

Periodically inspect to the Seat Walker prior to use to ensure it is in good working order.  
(Refer to page 9)

Always check that brakes are working prior to using the Seat Walker.

Take care when using the Seat Walker on uneven or wet ground.

Never self propel the Seat Walker while seated. (The Seat Walker is not a wheelchair)

Always adjust the handles to the correct height to suit the user.  
(Refer to page 8)

Take care when Seat Walker is in the folded position as it will fall over if not supported or laid down.

Never hang any objects off the side of the Seat Walker as it may tip over.

Ensure all four legs remain in contact with the ground when the Seat Walker is in use.  
Do not lean too far to one side or lean backwards causing the legs to leave the ground.

If you have any issues or questions about the Seat Walker please contact your supplier or BASICS by Redgum direct.



# PRODUCT CARE - INSPECTIONS / CLEANING

---

## INSPECTIONS

We suggest that the Seat Walker is visually checked periodically for signs of damage or wear prior to use. Overall check the following:

- Frame has no distortion.
- Plastic components (brakes / handgrips etc) are not damaged or cracked.
- Brakes work as required. (Refer to page 10. for brake adjustment information)
- Seat is not damaged or split.
- Wheels are not damaged and spin freely (remove any hair or lint).



**Withdraw the Seat Walker immediately if you suspect damage or any other fault. If in any doubt, please do not issue or use, but immediately contact your supplier for service support.**

## CLEANING

Clean the Seat Walker using a non-abrasive cleaner or mild detergent with a soft cloth.

Abrasive cleaners or abrasive cleaning pads could damage the Seat Walker and should not be used.

If you have any issues or questions about the Seat Walker please contact your supplier or BASICS by Redgum direct.





# WARRANTY

---

The BASICS by Redgum:

## **B4204S - SEAT WALKER**

is covered by a **12 Month Warranty** from the date of purchase.

If the product has any manufacturing faults during this period contact the place of purchase for assessment. Failures as a result of **ACCIDENTAL MISUSE, MODIFICATION OR WEAR AND TEAR ARE NOT COVERED BY THIS WARRANTY.**

Our goods come with guarantees that cannot be excluded under the Australian Consumer Law. You are entitled to a replacement part for a major failure and for compensation for any other reasonably foreseeable loss or damage. You are entitled to have the goods repaired or replaced if the goods fail to be of acceptable quality and failure does not amount to major failure.

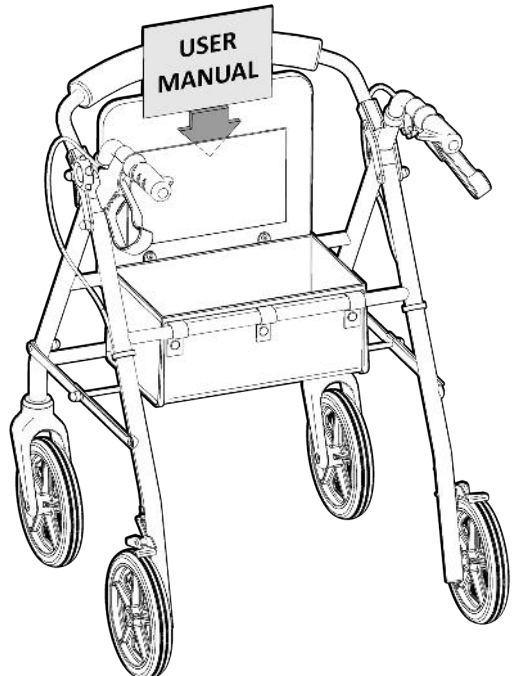
If you have any issues or questions about the Seat Walker please contact your supplier or BASICS by Redgum direct on:

T: +61 8 9248 4180

E: [sales@for-de.com.au](mailto:sales@for-de.com.au)

A: 1 Business Way, Malaga  
Western Australia 6090

**Please keep this  
User Manual  
in a safe place  
for future reference.**



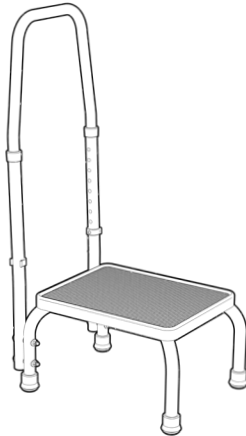
# BASICS by Redum - PRODUCT RANGE

---

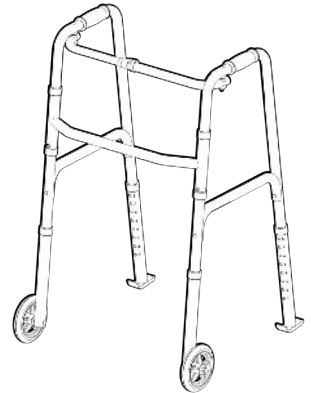
BASICS by Redgum offer a range of products including:



**Step**  
B68H



**Step with handle**  
B68SH



**Walking frame**  
with 5" wheels / rear glides  
B4070WS



**Bedside commode**  
B580



**Bariatric commode chair**  
B588

Please contact BASICS by Redgum for further information:

T: +61 8 9248 4180 E: [orders@for-de.com.au](mailto:orders@for-de.com.au)

A: 1 Business Way, Malaga Western Australia 6090

W: [www.redgumbrand.com.au](http://www.redgumbrand.com.au)

# NOTES

---

**DISTRIBUTOR:**

# **BASICS**

by **REDGUM**



**Proudly Australian Owned and Operated**