

# BASICS

by REDGUM

## BEDSIDE COMMUNE

B580



## USER MANUAL

---

Please read and keep these instructions

# BASICS

by REDGUM

**BASICS by Redgum** owns the **copyright** to the **Bedside Commode** user manual. Any information contained in this user manual shall not be photocopied, reproduced or translated into any other languages without the prior written consent of **BASICS by Redgum**.

**BASICS by Redgum** strives to provide the highest quality products possible. Product is subject to change without notice.

© Copyright **BASICS by Redgum** 2021



**BASICS by Redgum** is part of **FOR-DE Group Pty Ltd**

[redgumbrand.com.au](http://redgumbrand.com.au)

# CONTENTS

---

1. **INTRODUCTION** - INTENDED USE
2. **PRODUCT OVERVIEW** - FEATURES / SPECIFICATIONS
3. **SET UP** - UNPACK and INSPECT SUPPLIED PARTS
4. **ASSEMBLY** - INSTALL ADJUSTABLE LEGS
5. **ASSEMBLY** - INSTALL BOWL AND LID
6. **ASSEMBLY** - INSTALL SEAT OVERLAY
7. **SET UP** - BEDSIDE COMMUNE HEIGHT ADJUSTMENT
8. **USAGE GUIDELINES** - DO's + DON'Ts
9. **PRODUCT CARE** - INSPECTIONS / CLEANING
10. **WARRANTY**
11. **BASICS by Redgum** - PRODUCT RANGE
12. **NOTES**



# INTRODUCTION

---

Thank you for purchasing this quality **BASICS by Redgum** product.

If you have any issues or questions about the **Bedside Commode** please contact your supplier or **BASICS by Redgum** direct:

T: +61 8 9248 4180

E: sales@for-de.com.au

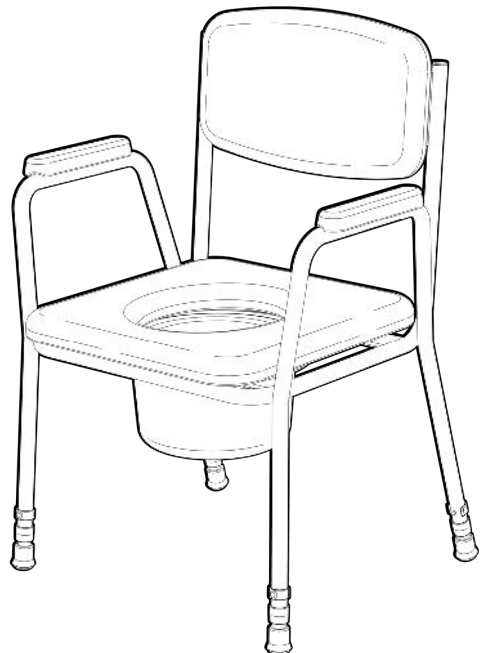
A: 1 Business Way, Malaga Western Australia 6090

## INTENDED USE

This product has limitations and should be used in accordance to these guidelines. Failure to follow these guidelines may result in damage to the product and injury to the user. It is the responsibility of the user to ensure the suitability of this product for its intended use. The user should consult their appropriate healthcare professional if unsure of the correct product usage for their unique circumstances.

Only use the Bedside Commode for its intended purpose which is as a height adjustable seating solution for toileting away from the toilet.

Refer to usage guideline page for information on how to use the Bedside Commode in a safe manner.



### IMPORTANT NOTE

This equipment **MUST** be set up for use by a competent person.

# PRODUCT OVERVIEW

---

## FEATURES

Allows for toileting away from the toilet for when users cannot make it to the bathroom.

Soft padded seat / backrest / armrests.

Removable padded seat overlay.

Easy to clean vinyl upholstery.

Adjustable seat height.

Removable bowl with carry handle and lid.

Non slip rubber tips.

Lightweight - easy to move.



## SPECIFICATIONS (All dimensions shown are nominal)

Overall:

**610mm (W) x 505mm (D) x 785mm (H)** - lowest height setting

Seat:

**430mm (W) x 450mm (D) x 410 - 560mm (H)** - 7 settings at 25mm increments

Backrest:

**420mm (W) x 240mm (H) x 380mm** (from seat to top of backrest)

Armrests:

**40mm (W) x 215mm (D) x 210mm (H)** - from seat to top of armrest  
**510mm between armrests**

Product Weight: **7kg**

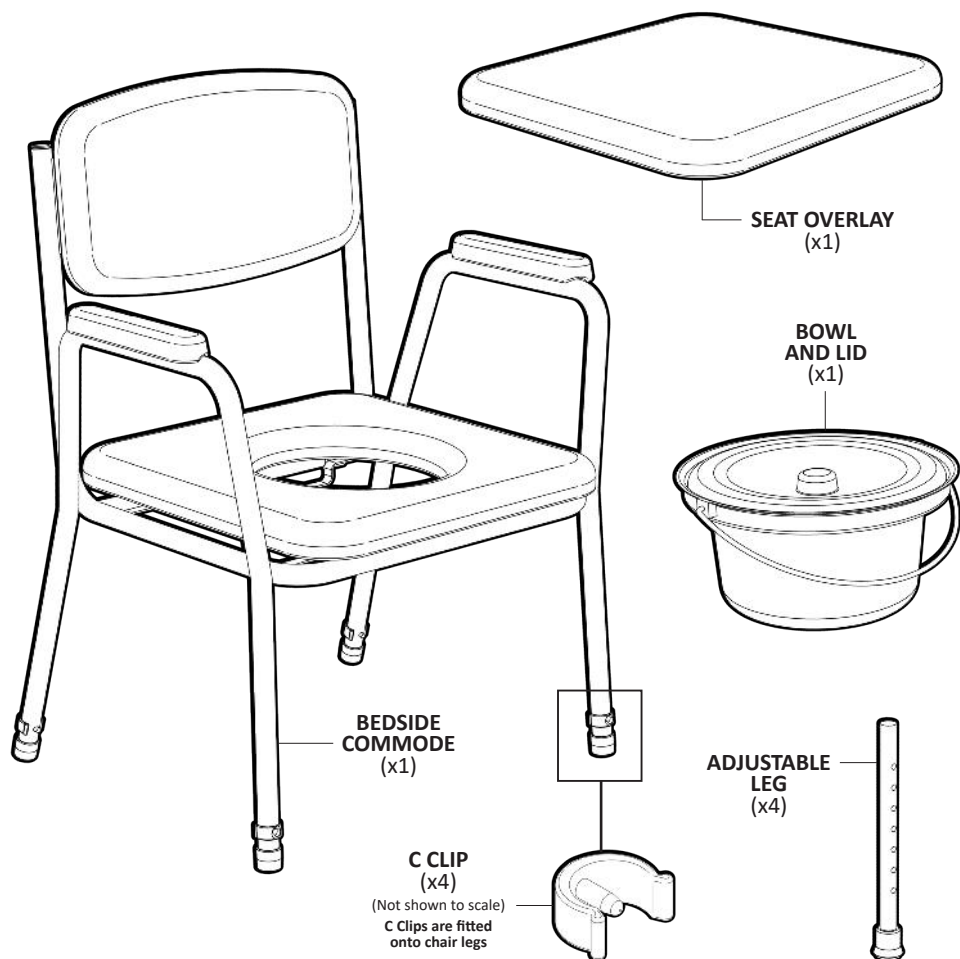
Maximum User Weight: **159kg**

Please contact **BASICS by Redgum** if you would like any further information on the Bedside Commode .

# SET UP - UNPACK and INSPECT SUPPLIED PARTS

Ensure you have been supplied with the following parts:

We recommend that you visually inspect the Bedside Commode parts prior to assembly:



## IMPORTANT NOTE:

If you see any damage suspect a fault or are missing parts **DO NOT ASSEMBLE THE PRODUCT** and contact your supplier for support.

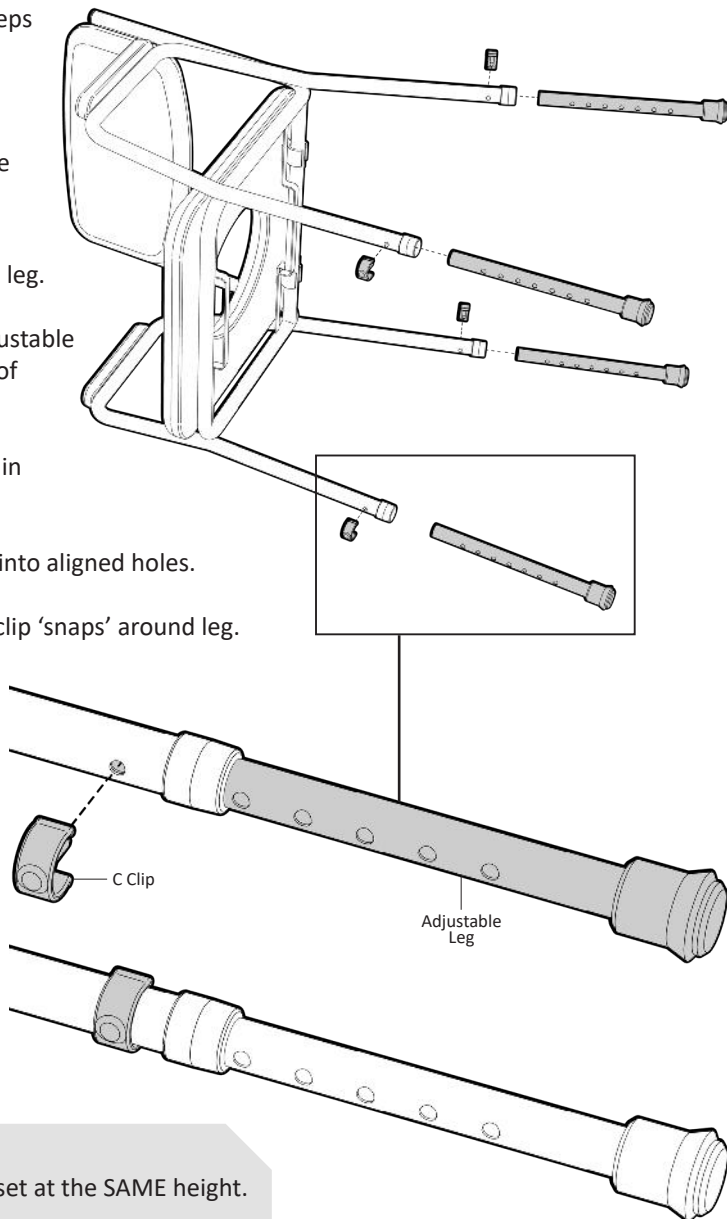
# ASSEMBLY - INSTALL ADJUSTABLE LEGS

The adjustable legs need to be fitted to the bedside commode.

Please follow these steps to fit legs correctly:

1. Place the bedside commode on its side as shown.
2. Remove C Clip from leg.
3. Line up holes in adjustable leg with hole in leg of commode.
4. Slide adjustable leg in until holes line up.
5. Locate pin in C Clip into aligned holes.
6. Push C Clip in until clip 'snaps' around leg.
7. Repeat process to locate other legs.

Refer to page 7. for information on setting the seat height on the Bedside Commode.



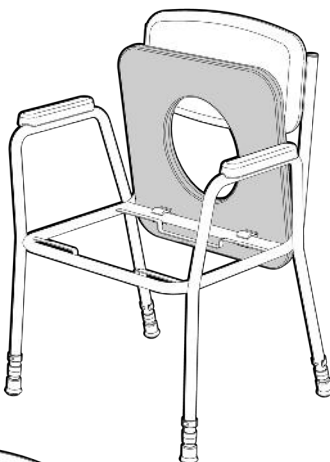
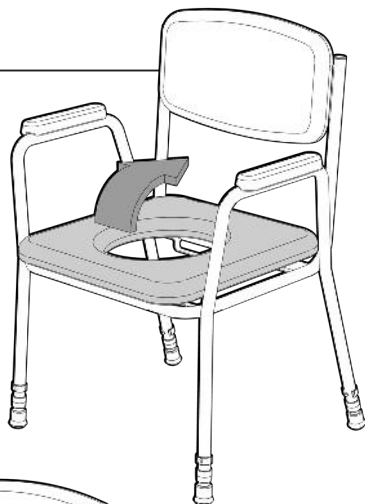
## IMPORTANT NOTE:

Ensure ALL legs are set at the SAME height.

# ASSEMBLY- INSTALL BOWL AND LID

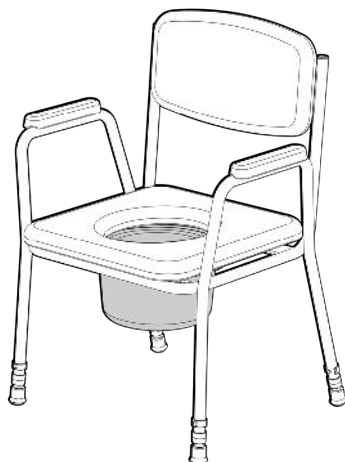
Please follow these steps to use bowl and lid on Bedside Commode:

1. Rotate up the seat.
2. Using the carry handle, locate the bowl into the cradle on the Bedside Commode frame.
3. Remove lid - keep lid close by to put on bowl after use.
4. Lower carry handle down onto Bedside Commode frame.
5. Gently lower seat down.



## TIP:

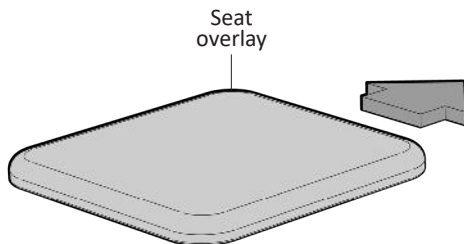
Add some water to the bowl prior to use as it makes it easier to clean after use.





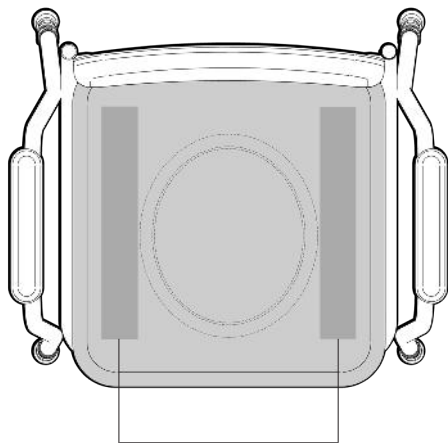
## ASSEMBLY - INSTALL SEAT OVERLAY

The Bedside Commode comes with a padded seat overlay which allows the commode to be used as a normal chair.

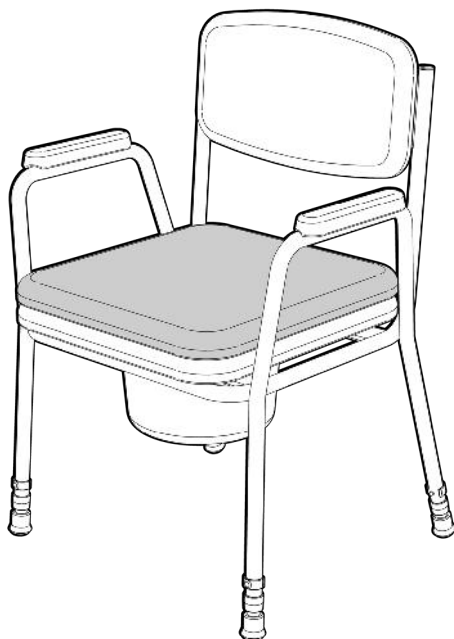


Position the seat overlay over the padded seat with cutout.

Ensure grip strips on underside of seat overlay are positioned on either side of the cut out as shown below. (Helps minimise movement)



Grip strips to be on either side of seat cut out



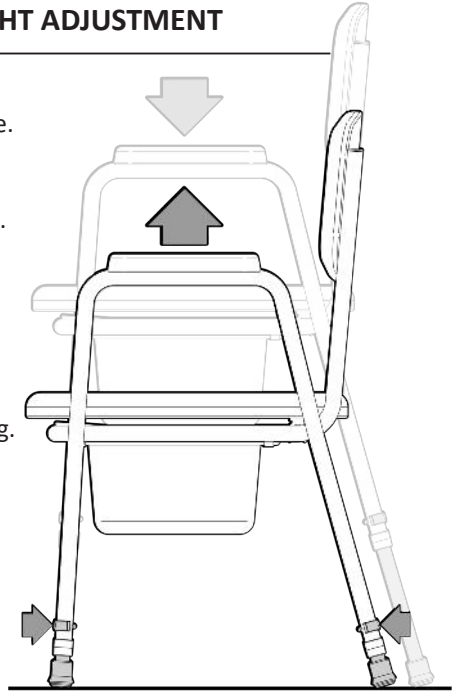
# SET UP- BEDSIDE COMMODE HEIGHT ADJUSTMENT

We recommend that the Bedside Commode be set at the correct height for the user prior to use.

The user should have both feet flat on the floor when sitting properly on the Bedside Commode.

To adjust the height of the frame:

1. Put the commode on its side.
2. Remove the C Clip from the leg of commode.
3. Move adjustable leg to required height setting.
4. Ensure holes in adjustable leg and commode leg line up.
5. Locate pin in C Clip into aligned holes.
6. Push C Clip in until clip 'snaps' around leg.
7. Repeat process to adjust other legs.



## TIP:

Count exposed holes on leg tube to ensure all legs are set at the same height.

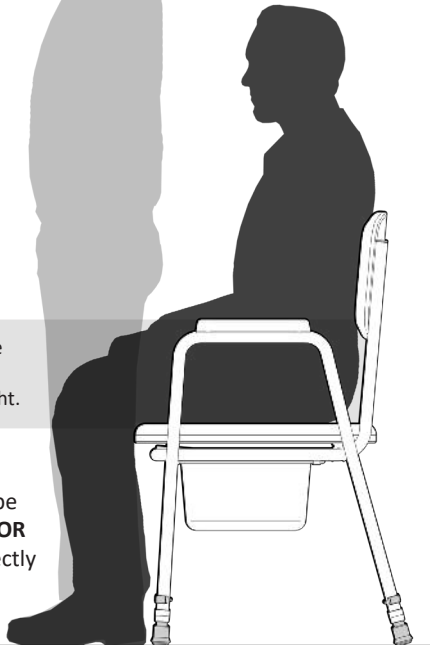
## IMPORTANT NOTE:

Ensure ALL legs are set at the SAME height.

Line up the back of the knee with the top of the seat to determine correct seat height.

Both feet should be **FLAT ON THE FLOOR** when sitting correctly on the bedside commode.

7.



# USAGE GUIDELINES - DO's + DON'TS

Please follow these guidelines to get the optimal benefit from the Bedside Commode.

Failure to follow these guidelines may result in damage to the Bedside Commode and put the user at risk.

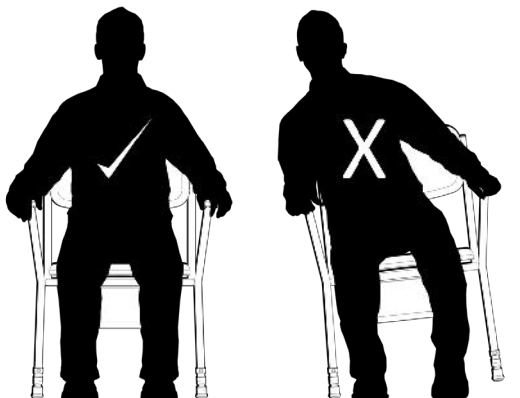
The Bedside Commode is designed to take **159kg Maximum Load**.  
Do not overload the product!

Periodically inspect to the Bedside Commode prior to use to ensure it is in good working order.  
(Refer to page 9)

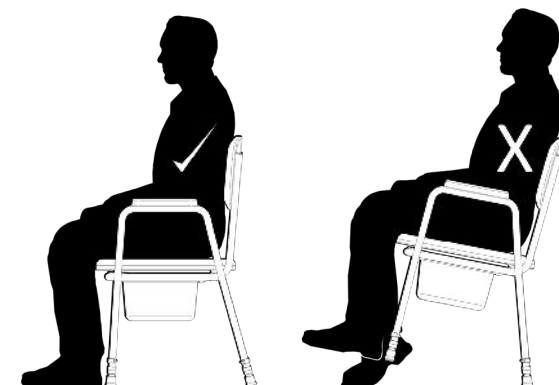


Always adjust the Bedside Commode to correct height for the user.  
(Refer to page 7)

Ensure the bowl is located on the Bedside Commode prior to use.  
Add a small amount of water to the bowl to assist with cleaning after use.  
Take care when removing the bowl from Bedside Commode to reduce the chance of any spills. Use the lid to cover bowl after use.



Ensure all four legs remain in contact with the ground when the Bedside Commode is in use. Do not lean too far to one side or lean backwards causing the legs to leave the ground.



If you have any issues or questions about the Bedside Commode please contact your supplier or BASICS by Redgum direct.

# PRODUCT CARE - INSPECTIONS / CLEANING

---

## INSPECTIONS

We suggest that the Bedside Commode is visually checked periodically for signs of damage or wear prior to use. Overall check the following:

- Frame has no distortion.
- Upholstery is not damaged or worn.
- Bowl and lid is not damaged or cracked.
- Leg tips are not damaged or worn.
- Check for any corrosion.



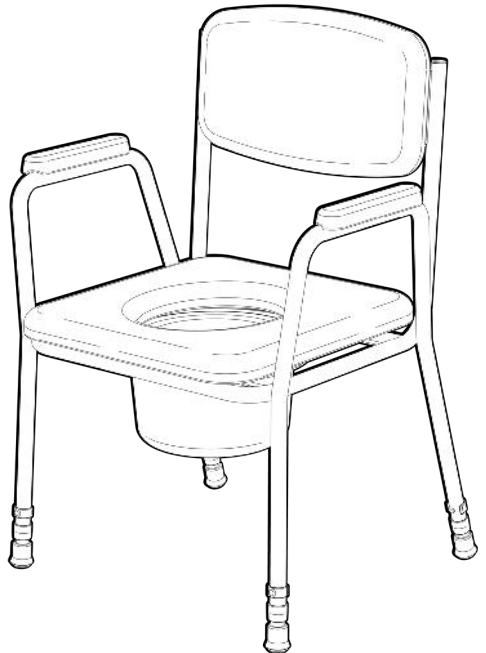
**Withdraw the Bedside Commode immediately if you suspect damage or any other fault. If in any doubt, please do not issue or use, but immediately contact your supplier for service support.**

## CLEANING

Clean the Bedside Commode using a non-abrasive cleaner or mild detergent with a soft cloth.

Abrasive cleaners or abrasive cleaning pads could damage the Bedside Commode and should not be used.

If you have any issues or questions about the Bedside Commode please contact your supplier or BASICS by Redgum direct.



# WARRANTY

---

The BASICS by Redgum:

## **B580 - BEDSIDE COMMODE**

is covered by a **12 Month Warranty** from the date of purchase.

If the product has any manufacturing faults during this period contact the place of purchase for assessment. Failures as a result of **ACCIDENTAL MISUSE, MODIFICATION OR WEAR AND TEAR ARE NOT COVERED BY THIS WARRANTY.**

Our goods come with guarantees that cannot be excluded under the Australian Consumer Law. You are entitled to a replacement part for a major failure and for compensation for any other reasonably foreseeable loss or damage. You are entitled to have the goods repaired or replaced if the goods fail to be of acceptable quality and failure does not amount to major failure.

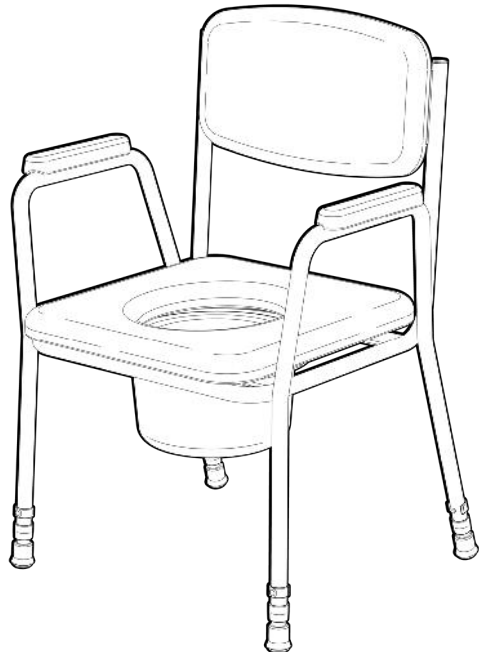
If you have any issues or questions about the Bedside Commode please contact your supplier or BASICS by Redgum direct on:

T: +61 8 9248 4180

E: sales@for-de.com.au

A: 1 Business Way, Malaga  
Western Australia 6090

**Please keep this  
User Manual  
in a safe place  
for future reference.**



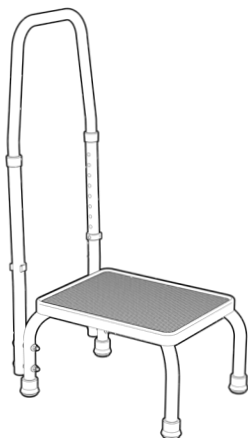
# BASICS by Redum - PRODUCT RANGE

---

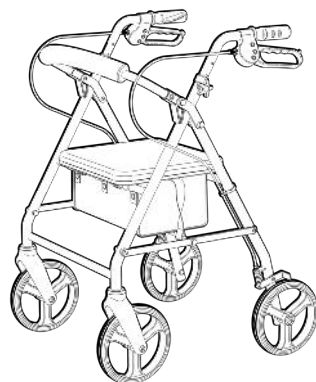
BASICS by Redgum offer a range of products including:



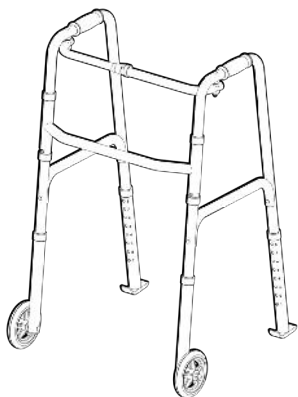
**Step**  
B68H



**Step with handle**  
B68SH



**Seat walker**  
(Burgundy red + Silver)  
B4204S



**Walking frame**  
with 5" wheels / rear glides  
B4070WS



**Bariatric commode chair**  
B588

Please contact BASICS by Redgum for further information:

T: +61 8 9248 4180 E: [orders@for-de.com.au](mailto:orders@for-de.com.au)

A: 1 Business Way, Malaga Western Australia 6090

W: [www.redgumbrand.com.au](http://www.redgumbrand.com.au)

# NOTES

---

**DISTRIBUTOR:**

# **BASICS**

by **REDGUM**



**Proudly Australian Owned and Operated**