

# BASICS

by REDGUM

## BARIATRIC COMMUNE CHAIR

B588



## USER MANUAL

---

Please read and keep these instructions

# BASICS

by REDGUM

**BASICS by Redgum** owns the **copyright** to the **Bariatric Commode Chair** user manual. Any information contained in this user manual shall not be photocopied, reproduced or translated into any other languages without the prior written consent of **BASICS by Redgum**.

**BASICS by Redgum** strives to provide the highest quality products possible. Product is subject to change without notice.

© Copyright **BASICS by Redgum** 2021



**BASICS by Redgum** is part of **FOR-DE Group Pty Ltd**

[redgumbrand.com.au](http://redgumbrand.com.au)

# CONTENTS

---

1. **INTRODUCTION** - INTENDED USE
2. **PRODUCT OVERVIEW** - FEATURES / SPECIFICATIONS
3. **SET UP** - UNPACK and INSPECT SUPPLIED PARTS
4. **ASSEMBLY** - INSTALL ADJUSTABLE LEGS
5. **ASSEMBLY** - INSTALL SEAT
6. **ASSEMBLY** - INSTALL BOWL AND LID
7. **ASSEMBLY** - INSTALL BACKREST
8. **SET UP** - BARIATRIC COMMUNE CHAIR HEIGHT ADJUSTMENT
9. **USAGE GUIDELINES** - DO's + DON'Ts
10. **PRODUCT CARE** - INSPECTIONS / CLEANING
11. **WARRANTY**
12. **BASICS by Redgum** - PRODUCT RANGE



# INTRODUCTION

---

Thank you for purchasing this quality **BASICS by Redgum** product.

If you have any issues or questions about the Bariatric Commode Chair please contact your supplier or **BASICS by Redgum** direct:

T: +61 8 9248 4180

E: sales@for-de.com.au

A: 1 Business Way, Malaga Western Australia 6090

## INTENDED USE

This product has limitations and should be used in accordance to these guidelines. Failure to follow these guidelines may result in damage to the product and injury to the user. It is the responsibility of the user to ensure the suitability of this product for its intended use. The user should consult their appropriate healthcare professional if unsure of the correct product usage for their unique circumstances.

Only use the Bariatric Commode Chair for its intended purpose which is as a height adjustable seating solution for toileting away from the toilet.

Refer to usage guideline page for information on how to use the Bariatric Commode Chair in a safe manner.



### IMPORTANT NOTE

This equipment **MUST** be set up for use by a competent person.

# PRODUCT OVERVIEW

---

## FEATURES

Allows for toileting away from the toilet for when users cannot make it to the bathroom.

280kg user weight capacity.

Plastic seat / backrest / armrests.

Adjustable seat height.

Removable bowl with carry handle and lid.

Non slip rubber tips.

Lightweight - easy to move.

Easy to clean surfaces.



## SPECIFICATIONS (All dimensions shown are nominal)

Overall:

**685mm (W) x 620mm (D) x 700mm (H)** - lowest height setting

Seat:

**590mm (W) x 470mm (D) x 410 - 575mm (H)** - 8 settings at 25mm increments

Backrest Pad:

**400mm (W) x 150mm (H) x 300mm** (from seat to top of backrest)

Armrests:

**50mm (W) x 310mm (L) x 210mm (H)** - from seat to top of armrest  
**585mm between armrests**

Product Weight:

**8.5kg**

Maximum User Weight:

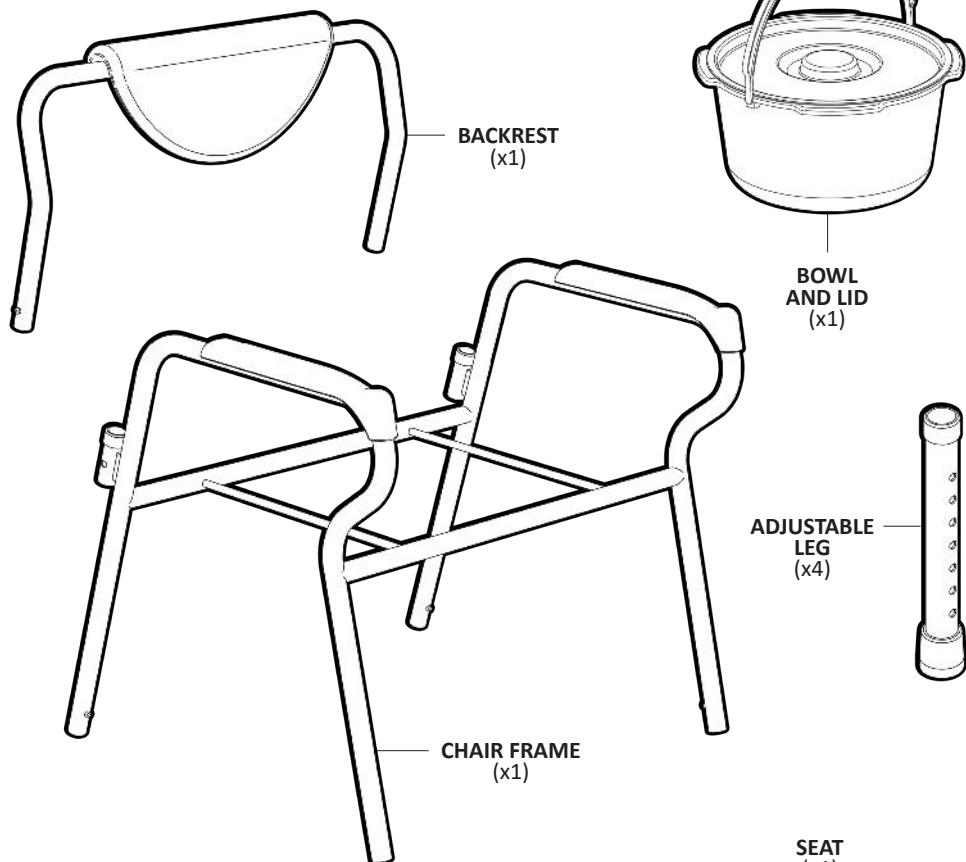
**280kg**

Please contact **BASICS by Redgum** if you would like any further information on the Bariatric Commode Chair .

# SET UP - UNPACK and INSPECT SUPPLIED PARTS

Ensure you have been supplied with the following parts:

We recommend that you visually inspect the Bariatric Commode Chair parts prior to assembly:



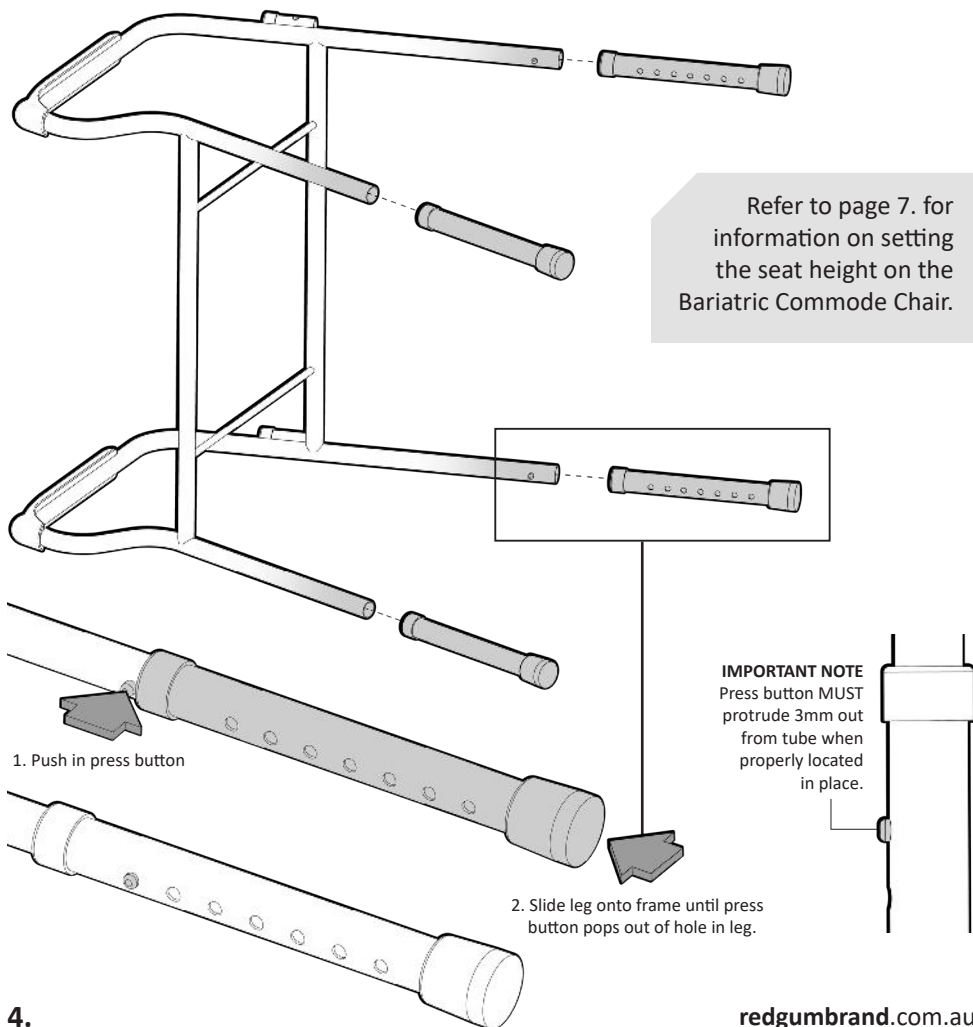
## IMPORTANT NOTE:

If you see any damage, suspect a fault or parts are missing **DO NOT ASSEMBLE THE PRODUCT** and contact your supplier for support.

# ASSEMBLY- INSTALL ADJUSTABLE LEGS

Please follow these steps to fit the legs correctly to the Bariatric Commode Chair:

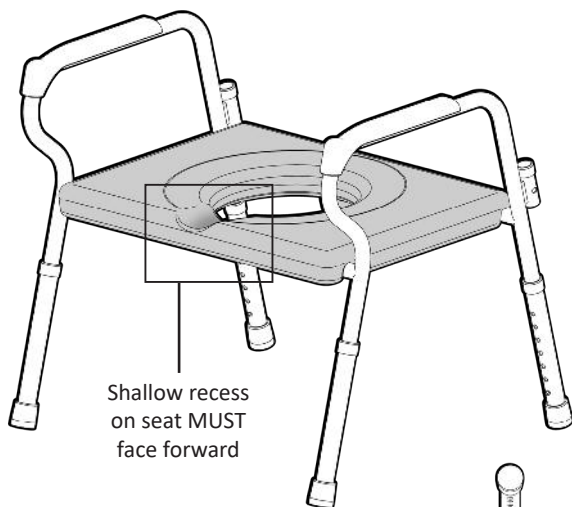
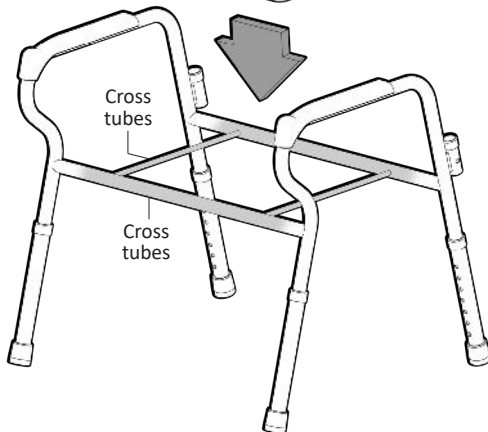
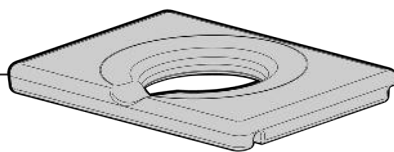
1. Put the chair frame on its side.
2. Offer up adjustable leg to leg on chair frame.  
**Align holes in leg with press button on frame.**
3. Slide leg onto frame.
4. Push in press button and continue to slide leg onto frame until press button pops out of hole in leg. (Refer to page 7 for walking frame height adjustment)
5. Repeat process to fit other legs onto chair frame.



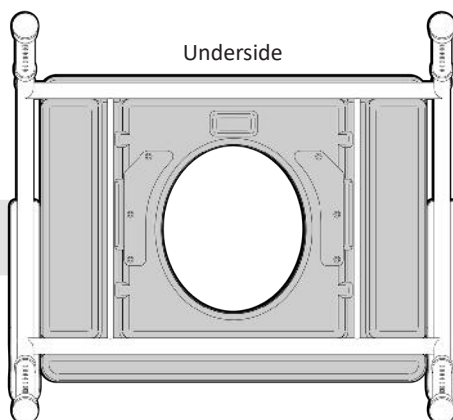
# ASSEMBLY- INSTALL SEAT

Please follow these steps to install the seat onto the Bariatric Commode Chair frame:

1. Line up the seat with the chair frame.  
Ensure seat is facing the correct way.  
Shallow recess must be facing forward.  
Underside of seat has cut outs that allow it to sit onto cross tubes on chair frame.
2. Locate seat on chair frame and push down until a loud 'CLICK' is heard.  
This sound indicates that seat is now correctly fitted to chair frame.



Seat locates over cross tubes on chair frame.



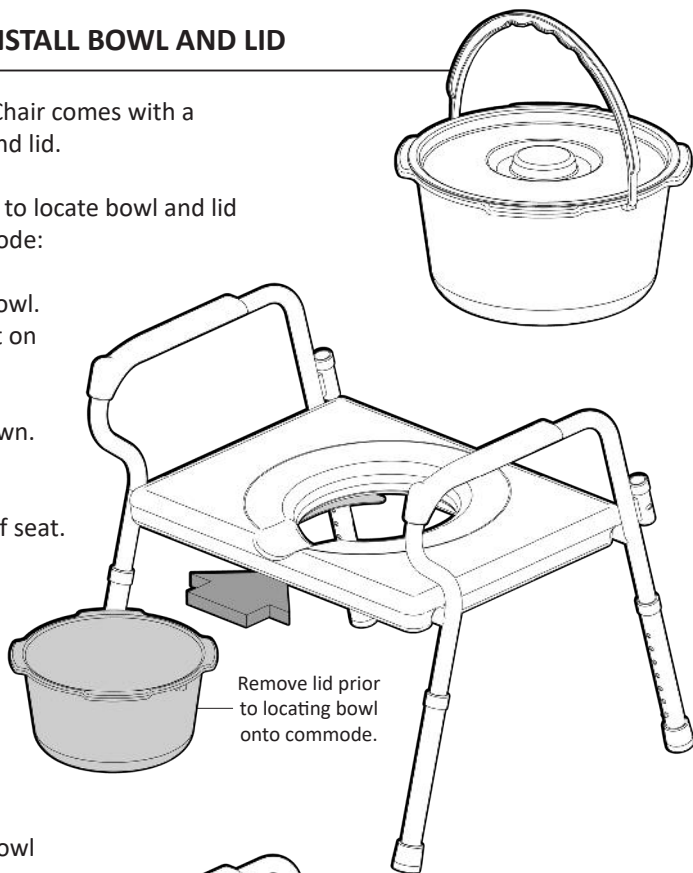


# ASSEMBLY - INSTALL BOWL AND LID

The Bariatric Commode Chair comes with a bowl with carry handle and lid.

Please follow these steps to locate bowl and lid correctly onto the commode:

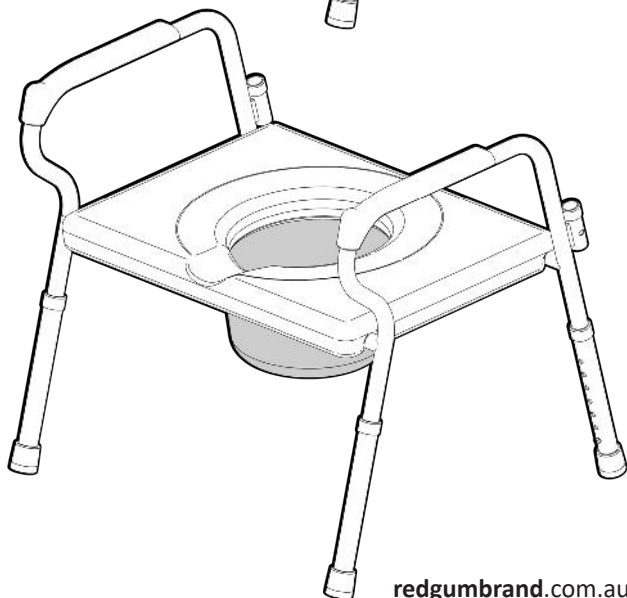
1. Remove the lid from bowl.  
Keep lid close by to put on bowl after use.
2. Lower carry handle down.
3. Insert bowl into cradle located on underside of seat.
4. Ensure bowl is fully pushed into cradle.  
Bowl and hole in seat should line up.



## TIP:

Add some water to the bowl prior to use as it makes it easier to clean after use.

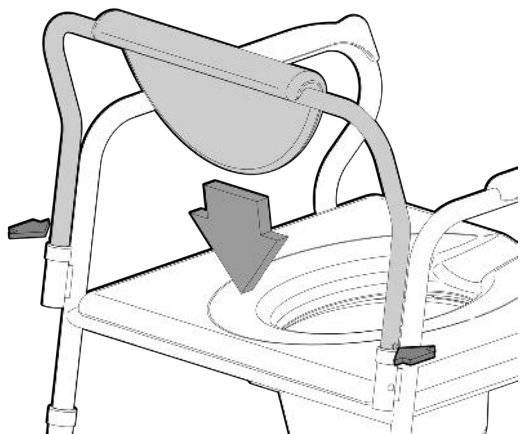
Refer to user guidelines on page 9 for more information on using Bariatric Commode Chair.



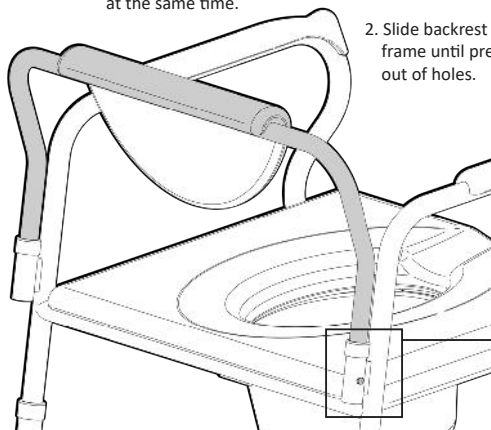
# ASSEMBLY- INSTALL BACKREST

Please follow these steps to install the backrest onto the Bariatric Commode Chair:

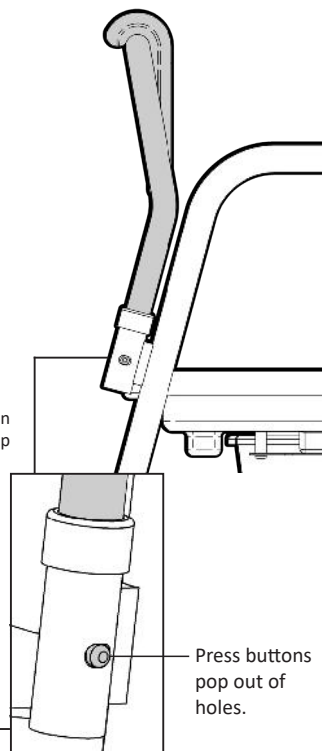
1. Line up the backrest with the sockets on chair frame. Ensure the padded backrest is facing the correct way.
2. Slide backrest tubes into sockets.
3. Push in press buttons on both sides at the same time and continue to slide the backrest onto chair frame until both press buttons pop out of holes in sockets.



1. Push in both press buttons at the same time.



2. Slide backrest into sockets on frame until press buttons pop out of holes.



Press buttons pop out of holes.

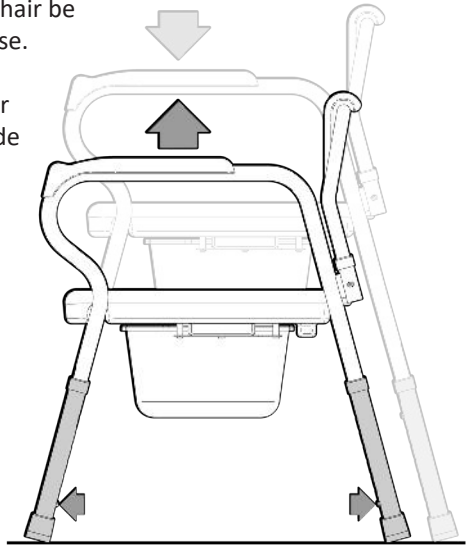
# SET UP - BEDSIDE COMMODE HEIGHT ADJUSTMENT

We recommend that the Bariatric Commode Chair be set at the correct height for the user prior to use.

The user should have both feet flat on the floor when sitting properly on the Bariatric Commode Chair.

To adjust the seat height of the Commode:

1. Put the commode on its side.
2. Push in press button, slide leg to the required setting and allow press button to pop out of hole in leg.
3. Repeat process to adjust other legs to the same height setting.



## TIP:

Count exposed holes on leg tube to ensure all legs are set at the same height.

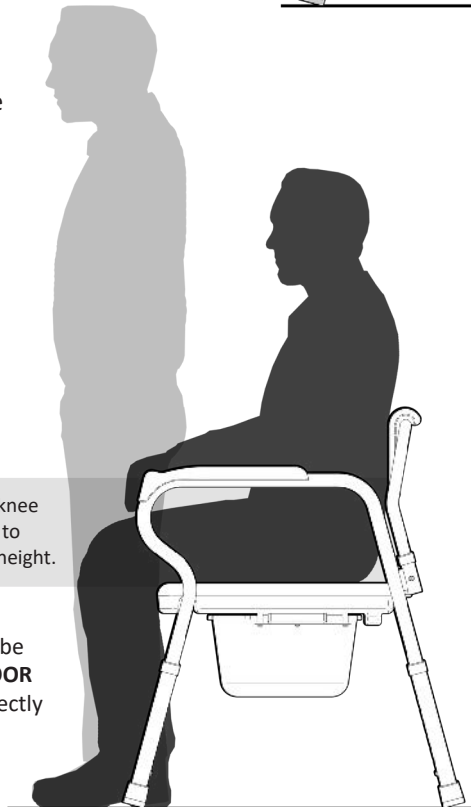
## IMPORTANT NOTE:

Ensure ALL legs are set at the SAME height.

Line up the back of the knee with the top of the seat to determine correct seat height.

Both feet should be **FLAT ON THE FLOOR** when sitting correctly on the Bariatric Commode Chair.

8.



# USAGE GUIDELINES - DO's + DON'TS

Please follow these guidelines to get the optimal benefit from the Bariatric Commode Chair.

Failure to follow these guidelines may result in damage to the Bariatric Commode Chair and put the user at risk.

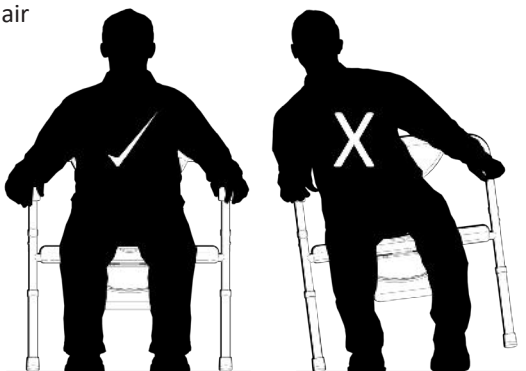
The Bariatric Commode Chair is designed to take **280kg Maximum Load**. Do not overload the product!



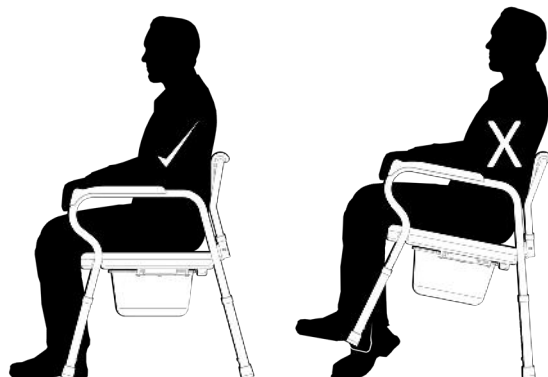
Periodically inspect to the Bariatric Commode Chair prior to use to ensure it is in good working order. (Refer to page 9)

Always adjust the Bariatric Commode Chair to correct height for the user. (Refer to page 7)

Ensure the bowl is located on the Bariatric Commode Chair prior to use. Add a small amount of water to the bowl to assist with cleaning after use. Take care when removing the bowl from Bariatric Commode Chair to reduce the chance of any spills. Use the lid to cover bowl after use.



Ensure all four legs remain in contact with the ground when the Bariatric Commode Chair is in use. Do not lean too far to one side or lean backwards causing the legs to leave the ground.



If you have any issues or questions about the Bariatric Commode Chair please contact your supplier or BASICS by Redgum direct.

# PRODUCT CARE - INSPECTIONS / CLEANING

---

## INSPECTIONS

We suggest that the Bariatric Commode Chair is visually checked periodically for signs of damage or wear prior to use. Overall check the following:

- Frame has no distortion.
- Plastic components (Seat / Backrest / Armrests) are not damaged or cracked.
- Bowl and lid is not damaged or cracked.
- Leg tips are not damaged or worn.



**Withdraw the Bariatric Commode Chair immediately if you suspect damage or any other fault. If in any doubt, please do not issue or use, but immediately contact your supplier for service support.**

## CLEANING

Clean the Bariatric Commode Chair using a non-abrasive cleaner or mild detergent with a soft cloth.

Abrasive cleaners or abrasive cleaning pads could damage the Bariatric Commode Chair and should not be used.

If you have any issues or questions about the Bariatric Commode Chair please contact your supplier or BASICS by Redgum direct.



# WARRANTY

---

The BASICS by Redgum:

## **B588 - BARIATRIC COMMODE CHAIR**

is covered by a **12 Month Warranty** from the date of purchase.

If the product has any manufacturing faults during this period contact the place of purchase for assessment. Failures as a result of **ACCIDENTAL MISUSE, MODIFICATION OR WEAR AND TEAR ARE NOT COVERED BY THIS WARRANTY.**

Our goods come with guarantees that cannot be excluded under the Australian Consumer Law. You are entitled to a replacement part for a major failure and for compensation for any other reasonably foreseeable loss or damage. You are entitled to have the goods repaired or replaced if the goods fail to be of acceptable quality and failure does not amount to major failure.

If you have any issues or questions about the Bariatric Commode Chair please contact your supplier or BASICS by Redgum direct on:

T: +61 8 9248 4180

E: sales@for-de.com.au

A: 1 Business Way, Malaga  
Western Australia 6090

**Please keep this  
User Manual  
in a safe place  
for future reference.**



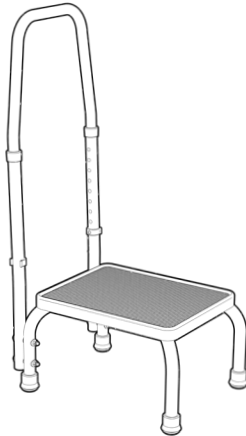
# BASICS by Redum - PRODUCT RANGE

---

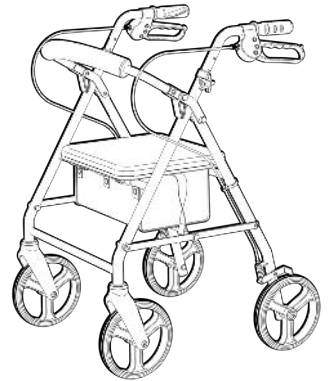
BASICS by Redgum offer a range of products including:



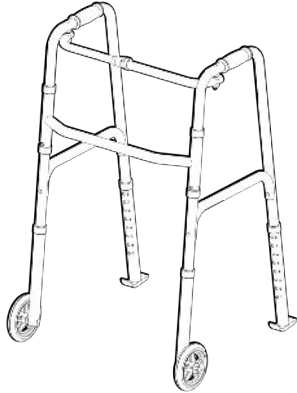
**Step**  
B68H



**Step with handle**  
B68SH



**Seat walker**  
(Burgundy Red + Silver)  
B4204S



**Walking frame**  
with 5" wheels / rear glides  
B4070WS



**Bedside commode**  
B580

Please contact BASICS by Redgum for further information:

T: +61 8 9248 4180 E: [orders@for-de.com.au](mailto:orders@for-de.com.au)

A: 1 Business Way, Malaga Western Australia 6090

W: [www.redgumbrand.com.au](http://www.redgumbrand.com.au)

**DISTRIBUTOR:**

# **BASICS**

by **REDGUM**



**Proudly Australian Owned and Operated**