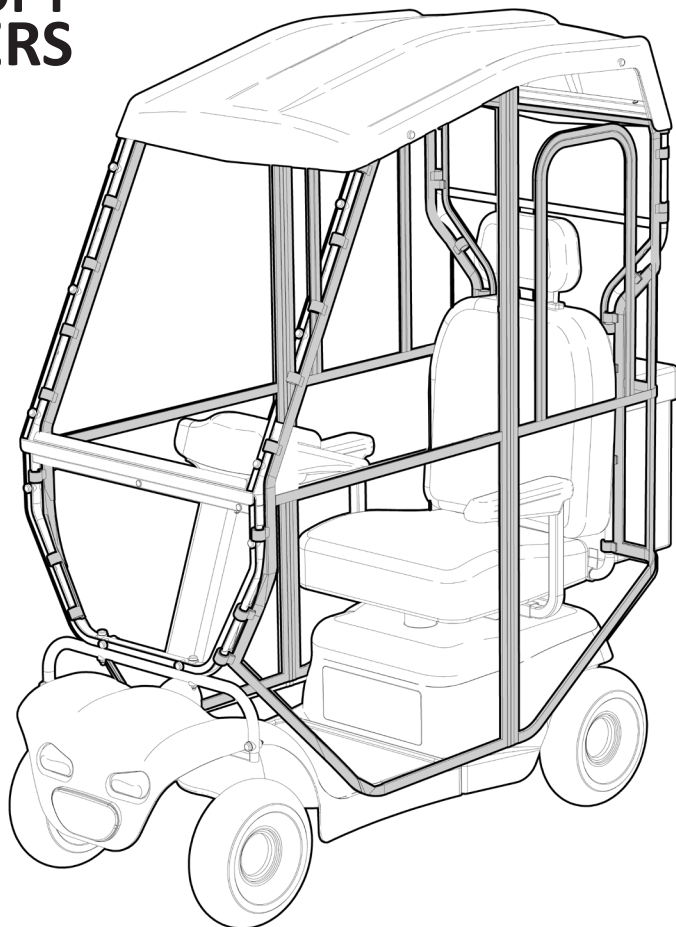


SCOOTER **XTRAS**

HARD CANOPY SIDE COVERS

SE-HCSC

JAN 2021



USER MANUAL

Please read and keep these instructions



SCOOTER XTRAS owns the copyright to the Hard Canopy Side Covers user manual. Any information contained in this user manual shall not be photocopied, reproduced or translated into any other languages without the prior written consent of Scooter Xtras.

SCOOTER XTRAS strives to provide the highest quality products possible. Products are subject to change without notice.

© Copyright **SCOOTER XTRAS** 2021

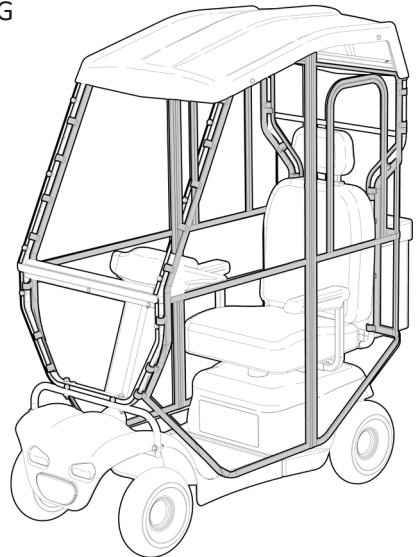


SCOOTER XTRAS is part of **FOR-DE Group Pty Ltd**

scooterxtras.com.au

CONTENTS

1. **INTRODUCTION** - INTENDED USE
2. **PRODUCT OVERVIEW** - FEATURES / SPECIFICATIONS
3. **ASSEMBLY** - UNPACK and INSPECT SUPPLIED PARTS
4. **ASSEMBLY** - HARD CANOPY COVER REMOVAL
5. **ASSEMBLY** - FITTING SIDE COVERS
6. **ASSEMBLY** - FITTING SIDE COVERS (Continued)
7. **ASSEMBLY** - FITTING REAR COVER
8. **ASSEMBLY** - REINSTALL HARD CANOPY COVER
9. **USAGE GUIDELINES** - ACCESS
10. **USAGE GUIDELINES** - DO's + DON'Ts
11. **PRODUCT CARE** - INSPECTIONS / CLEANING
12. **WARRANTY**



INTRODUCTION

Thank you for purchasing this quality **SCOOTER XTRAS** product.

If you have any issues or questions about the **Hard Canopy Side Covers** please contact your supplier or Scooter Xtras direct:

T: +61 8 9248 4180

E: orders@for-de.com.au

A: 1 Business Way, Malaga Western Australia 6090

INTENDED USE

This product has limitations and should be used in accordance to these guidelines. Failure to follow these guidelines may result in damage to the product and injury to the user. It is the responsibility of the user to ensure the suitability of this product for its intended use. The user should consult their appropriate healthcare professional if unsure of the correct product usage for their unique circumstances.

Only use your **Hard Canopy Side Covers** for its intended purpose which is as a shelter solution - it is not designed to be a rain shelter solution as mobility scooters should not be operated in the rain.

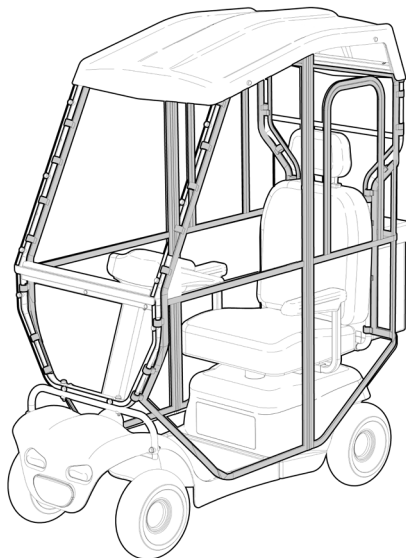
IMPORTANT NOTE

This equipment **MUST** be assembled by competent people. We recommend that 2 people install the hard canopy side covers onto the mobility scooter.

Tools required (not supplied) for assembly:

- 4mm Allen Key
- 10mm Spanner
- Small flat head screwdriver

Using a mobility scooter fitted with a Hard Canopy and side covers in strong winds and adverse weather can seriously compromise your safety and may damage the mobility scooter beyond repair.



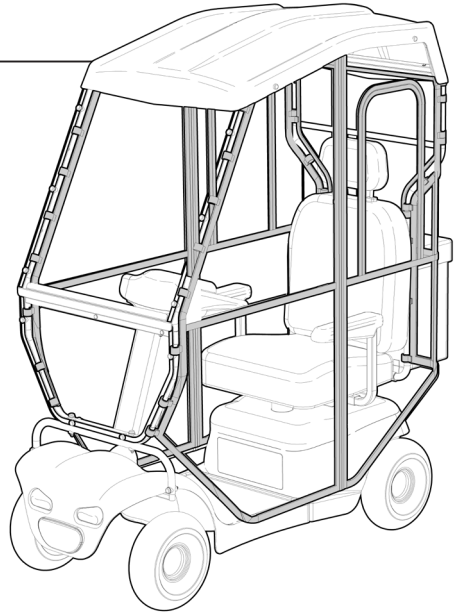
PRODUCT OVERVIEW

FEATURES

- Provides excellent shelter from the elements
- Clear PVC panels for good visibility
- Zip access flaps
- Zip up side windows
- Rear cover (can be rolled up)
- Side Covers are easily removable if required

IMPORTANT NOTE:

Side Covers can be fitted to any Shoprider Mobility Scooter that has been fitted with a Scooter Xtras Hard Canopy (SE-HC)



SPECIFICATIONS

(All dimensions shown are nominal)

Side Cover:

Height: **1400mm**

Width: **1370mm**

Side Cover Window:

Height: **600mm**

Width: **300mm**

Rear Cover:

Height: **480mm**

Width: **630mm**

Product Weight:

Side Cover: **1.3kg each**

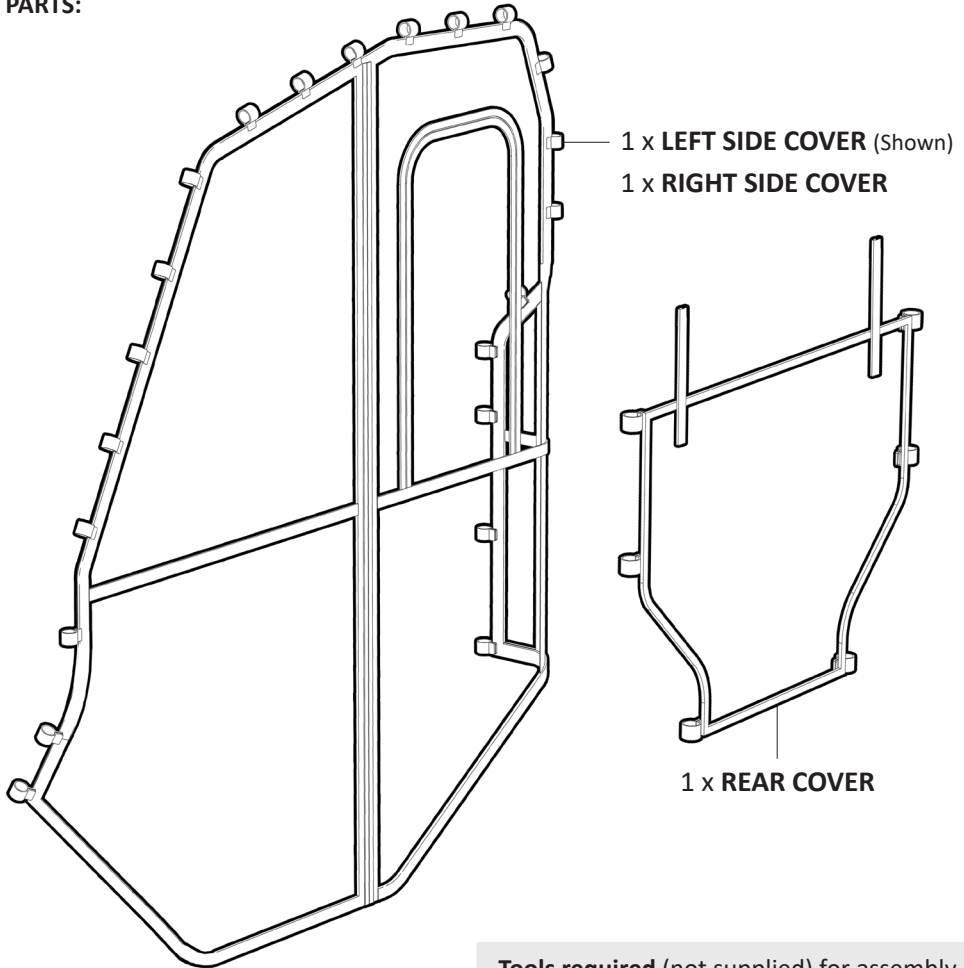
Rear Cover: **0.2kg**

Please contact **SCOOTER XTRAS** if you would like any further information on your **Hard Canopy Side Covers**.

ASSEMBLY - UNPACK and INSPECT SUPPLIED PARTS

Ensure you have been supplied with the following parts:

PARTS:



Tools required (not supplied) for assembly

- 4mm Allen Key
- 10mm Spanner
- Small flat head screwdriver

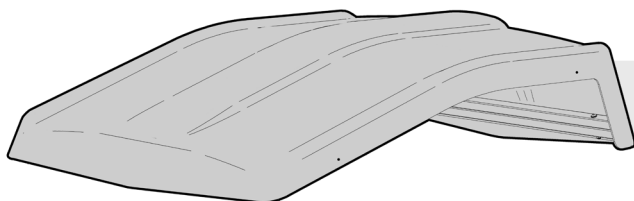
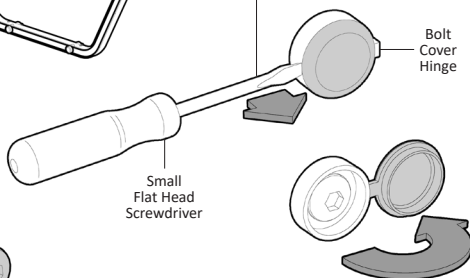
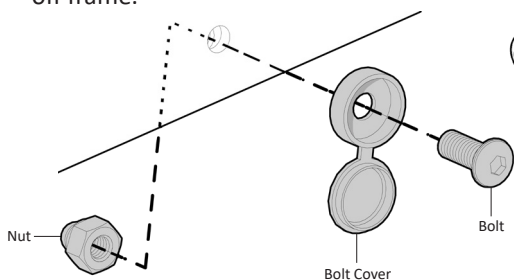
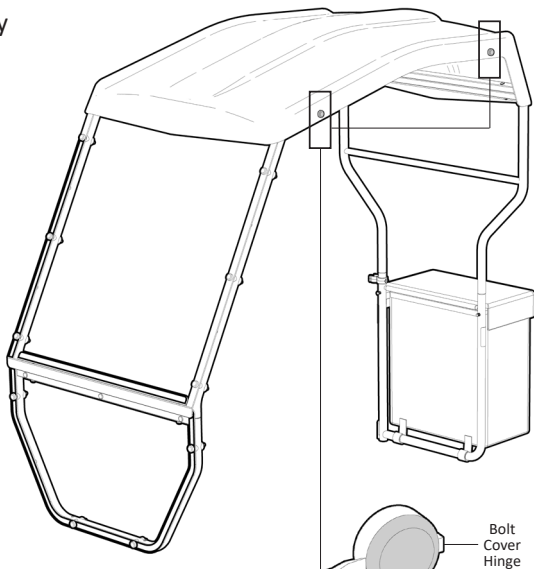
IMPORTANT NOTE

Check the product for any visible damage. If you see any damage or suspect a fault, **DO NOT USE YOUR PRODUCT** and contact your supplier for support.

ASSEMBLY- HARD CANOPY COVER REMOVAL

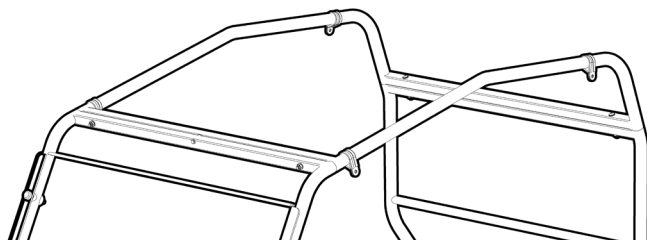
The top plastic cover on the hard canopy needs to be removed from the frame to allow for the side and rear covers to be installed.

1. The fixing covers caps need to be opened to gain access to the bolt head.
2. Look at the bolt cover to determine where the hinge on the cover cap is.
3. On the **opposite side of hinge**:
Use a small flat head screwdriver to lever open the cap.
4. Using a 4mm Allen key and 10mm spanner remove fixings.
5. Using 2 people gently lift cover off frame.



If possible -
Two people should
lift off cover

4.



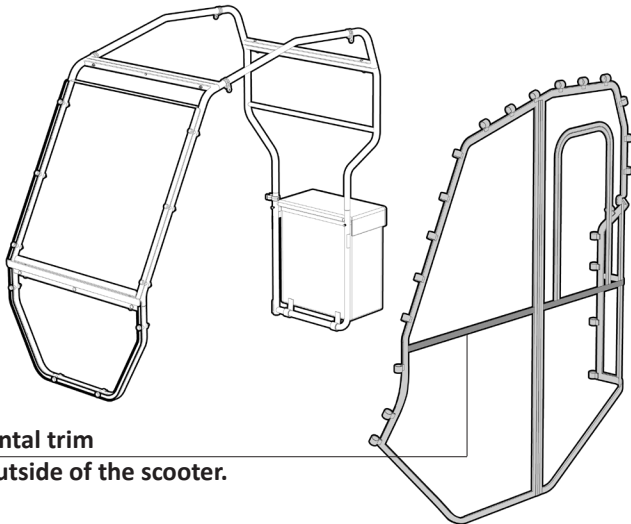
ASSEMBLY - FITTING SIDE COVERS

If possible **use 2 people**

to fit side covers:

- One to hold side cover
- One to attach loops to frame

Identify the correct side cover for the correct side of the hard canopy.



The **high visibility silver horizontal trim** should be facing toward the outside of the scooter.

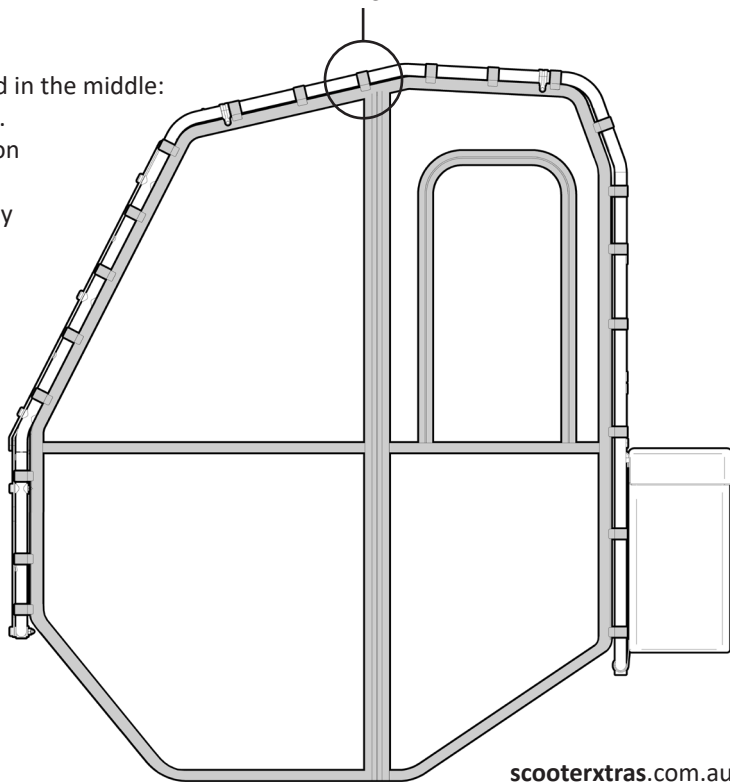
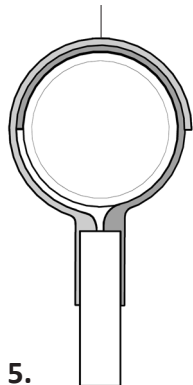
Line up the cover with the side of the frame.

Starting at the top and in the middle:

- Attach the first strap.
- Then attach a strap on either side.
- Slowly work your way around the frame.

Attach this strap
FIRST

Overlap straps

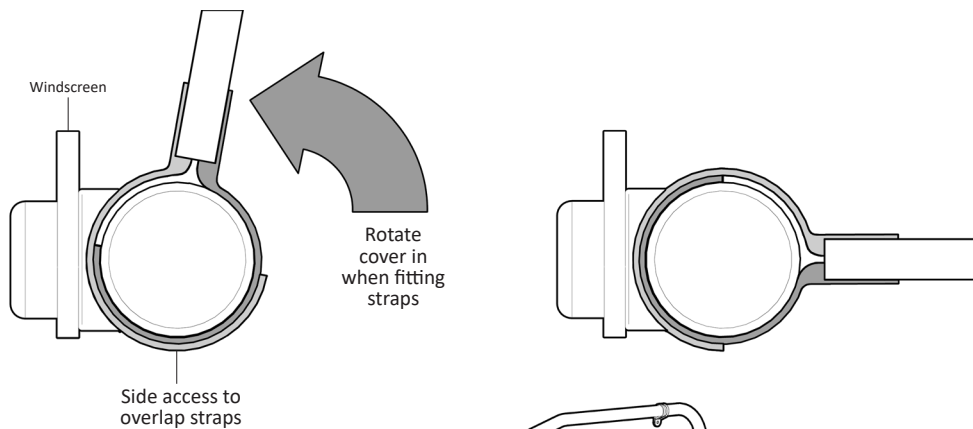


5.

ASSEMBLY- FITTING SIDE COVERS (Continued)

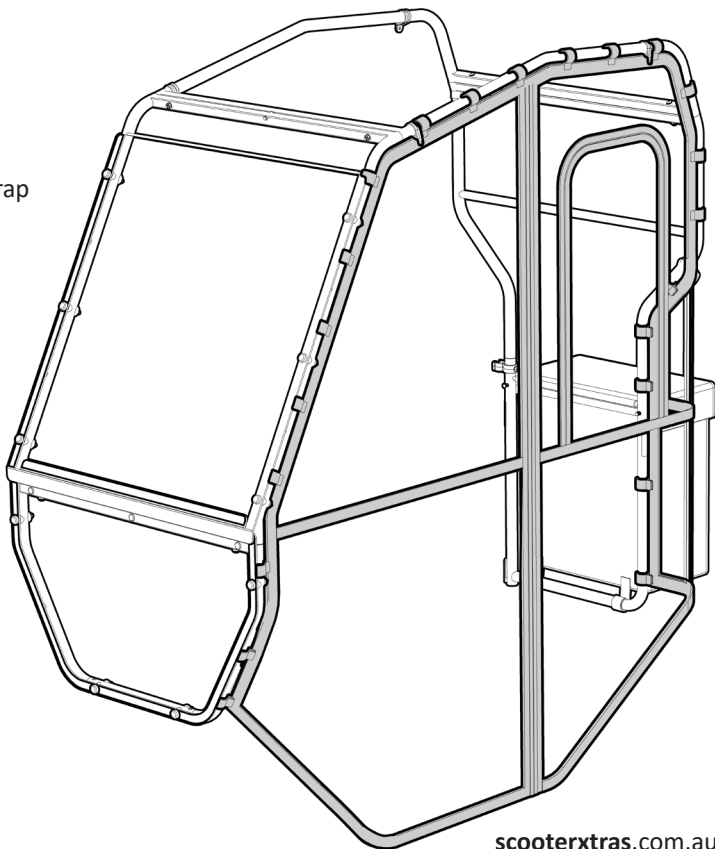
INSTALLATION TIP:

When locating the straps onto the frame behind the windscreens -
Rotate the side cover in which will improve access when overlapping straps together.



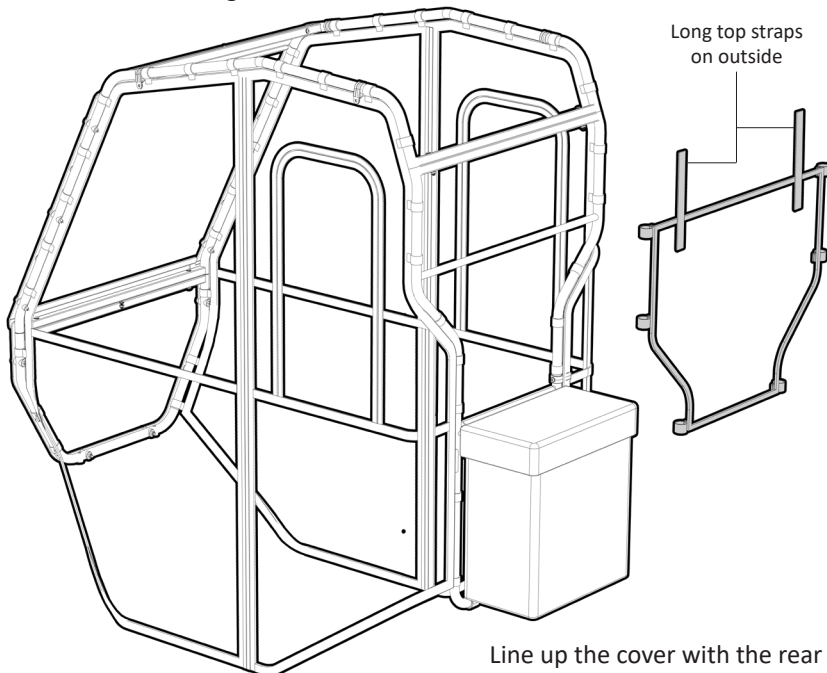
Ensure EVERY velcro strap has been attached around the frame.

Repeat process to attach other side cover.



ASSEMBLY - FITTING REAR COVER

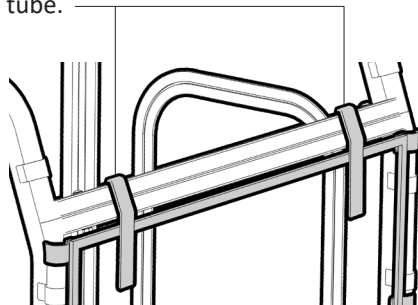
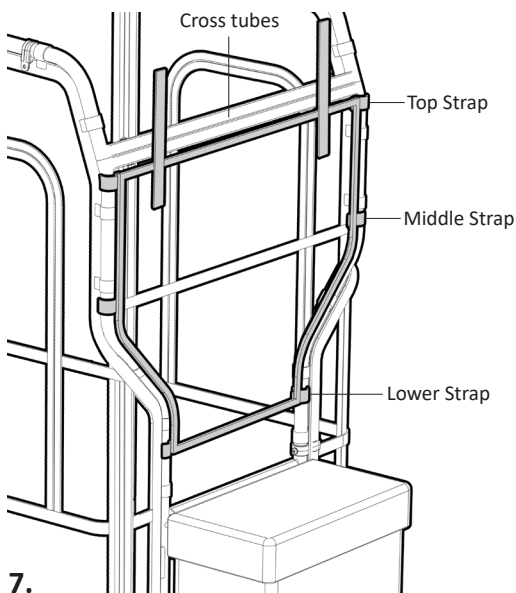
Identify the correct side of the rear cover prior to fitting. The long top straps at the top of rear cover need to be facing out.



Line up the cover with the rear of the frame. Top of cover to be located just below cross tubes.

- Attach the top strap on each side.
- Then attach the middle straps.
- And finally the lower straps.

Lay the long top straps over the cross tube.

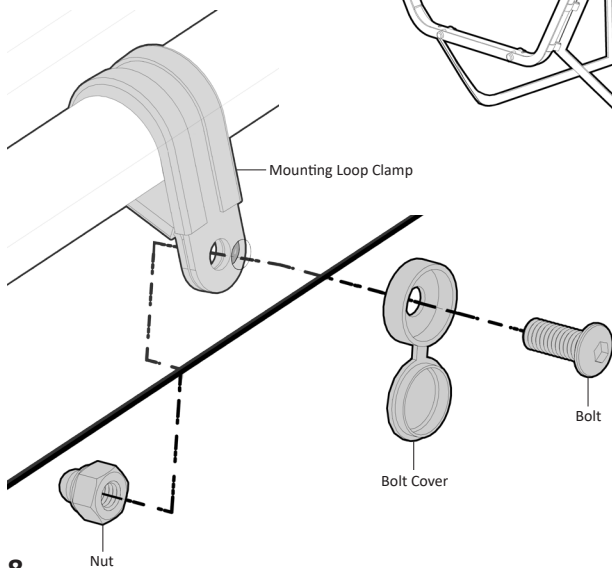
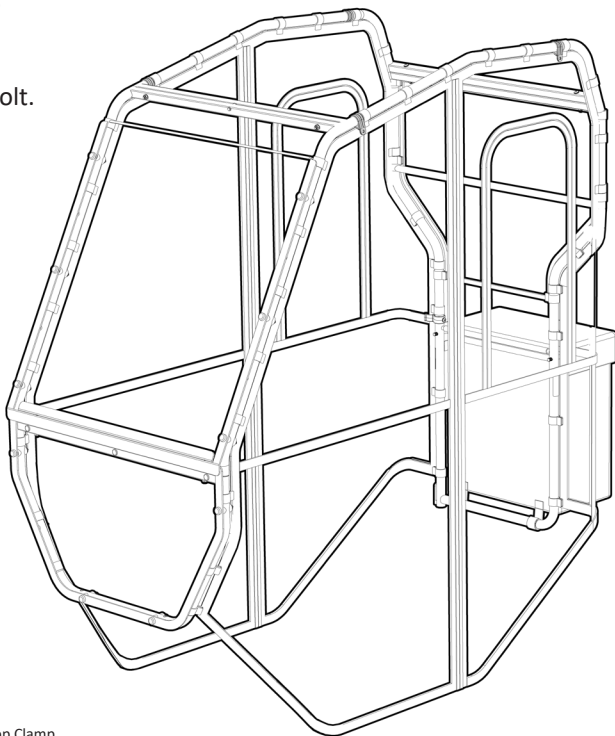
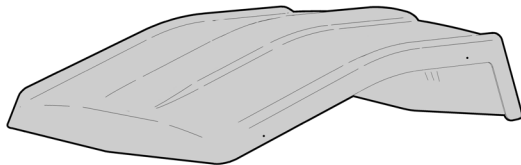


7.

ASSEMBLY - REINSTALL HARD CANOPY COVER

The top plastic cover on the hard canopy needs to be re installed onto the frame.

1. Using 2 people gently place cover onto frame.
2. Line up mounting loop clamps with holes in cover.
3. Ensure bolt cover is fitted to bolt.
4. Slide bolt through hole in cover and hole in mounting loop clamp.
5. Screw dome nut onto bolt.
6. Using a 4mm Allen key and 10mm spanner tighten fixings and close bolt cover.
7. Repeat process on other three fixings.



8.

The Hard Canopy with Side Covers is now ready to use.

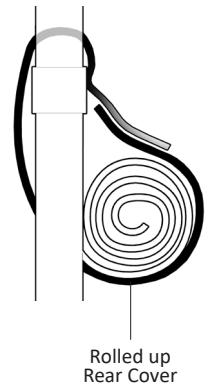
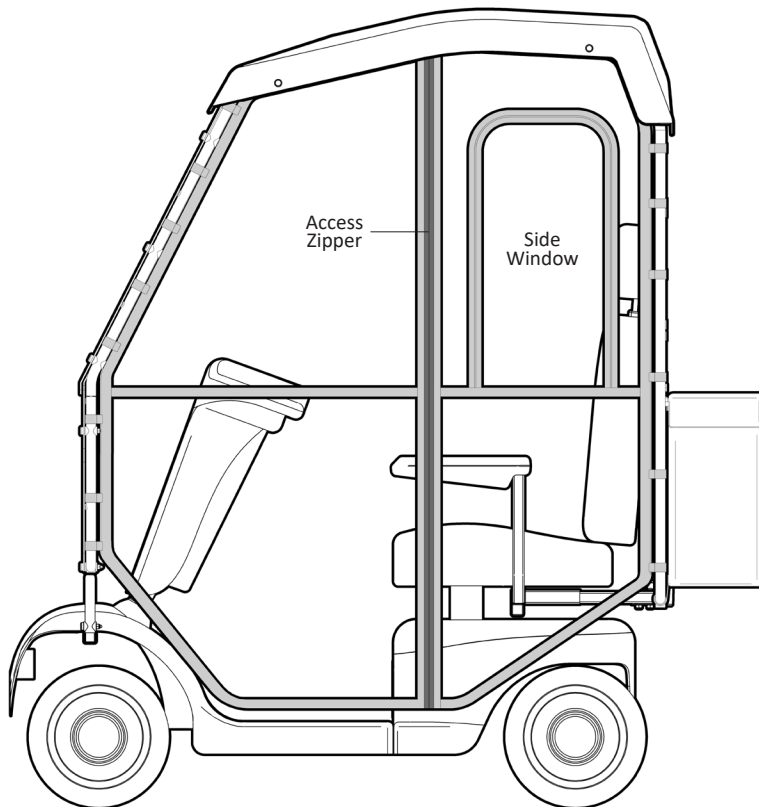
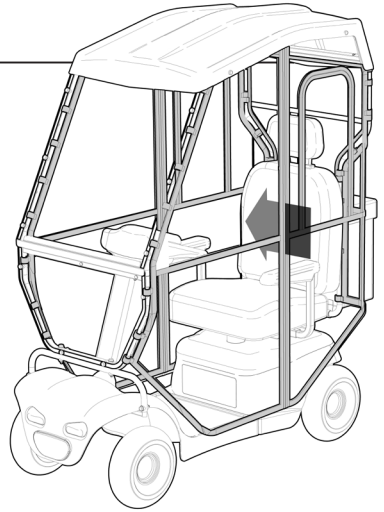
USAGE GUIDELINES - ACCESS

The Hard Canopy fitted with side covers has full length zippers on either side for access onto scooter.

There are also side windows on both side covers that can be opened up for air flow.

The rear cover can be rolled up and held in place by long top straps if more ventilation is required.

Side covers also have a release zipper inbuilt around edge. This allows for side covers to be easily removed from the hard canopy without having to access mounting straps under cover. Side covers can then be easily reattached when required.



USAGE GUIDELINES - DO's + DON'TS

Please follow these guidelines to get the optimal benefit from the Hard Canopy fitted with side covers.

Failure to follow these guidelines may result in damage to the Hard Canopy, mobility scooter and put the user at risk.

Please ensure all the parts of the hard canopy have been fitted as instructed.

IMPORTANT NOTE !

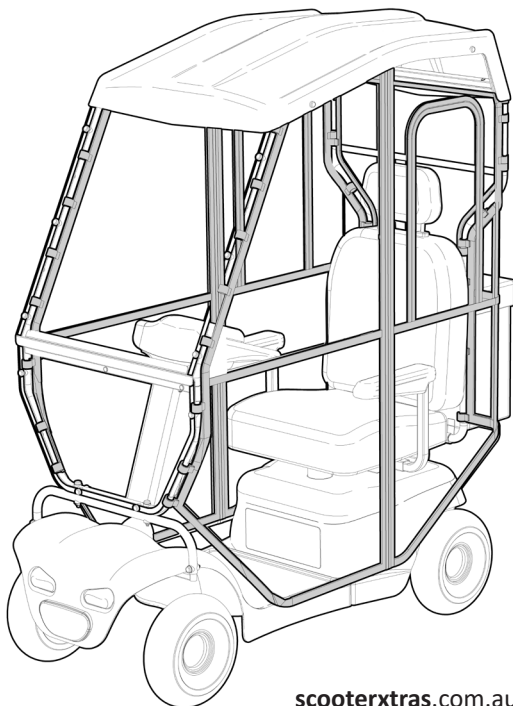
Using a mobility scooter fitted with a Hard Canopy and side covers in STRONG WINDS and adverse weather can seriously compromise your safety and may damage the mobility scooter beyond repair.

Only use your **Hard Canopy fitted with side covers** for its intended purpose which is as a wind and sun shelter solution. The Hard Canopy is not designed to be a rain shelter solution as mobility scooters should not be operated in the rain.

The user must have the ability to reach and use the zippers on the side covers as required. If this is not possible we do not recommend the use of the side covers.

The user should not use the Hard Canopy to assist them with getting on and off the mobility scooter. The Hard Canopy has not been designed to be used as an assistive support structure.

Do not use whilst under the influence of drugs or alcohol.



PRODUCT CARE - INSPECTIONS / CLEANING

INSPECTIONS

We suggest that you check the Hard Canopy Side Covers visually periodically for signs of damage or wear prior to use. Overall check that no components are frayed or torn. Closely inspect all zippers and mounting straps for damage.



Remove the Hard Canopy Side Covers immediately if you suspect damage or any other fault. If in any doubt, please do not issue or use, but immediately contact your supplier for service support.

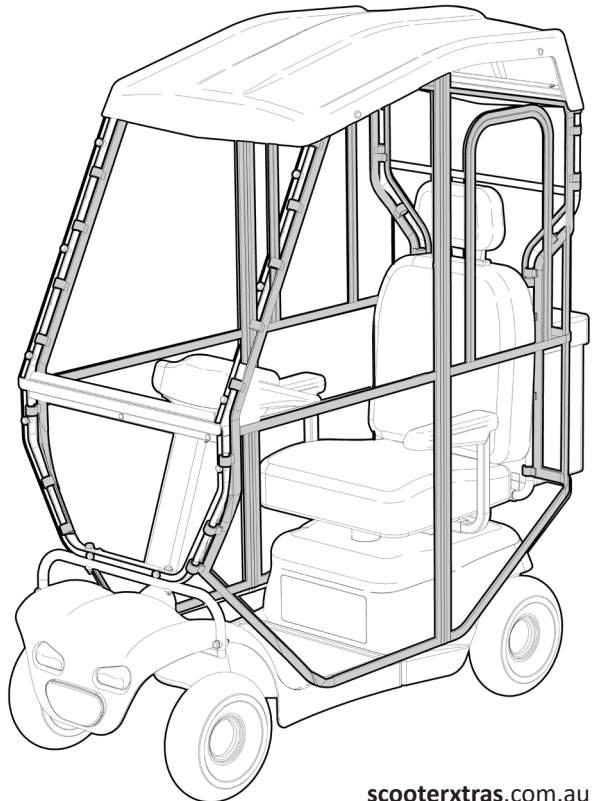
IMPORTANT NOTE

Do not fit any parts or accessories to your Hard Canopy Side Covers that are manufactured by another company. To do so will void your warranty and may seriously compromise your safety.

CLEANING

Clean the Hard Canopy Side Covers using a non-abrasive cleaner or mild detergent with a soft cloth.

Abrasive cleaners or abrasive cleaning pads will damage the Side Covers and should not be used.



WARRANTY

Scooter Xtras **SE-HCSC: HARD CANOPY SIDE COVERS** are covered by a **12 Month Warranty** from the date of purchase.

If the product has any manufacturing faults during this period contact the place of purchase for assessment. Failures as a result of **ACCIDENTAL MISUSE, MODIFICATION OR WEAR AND TEAR ARE NOT COVERED BY THIS WARRANTY.**

Our goods come with guarantees that cannot be excluded under the Australian Consumer Law. You are entitled to a replacement part for a major failure and for compensation for any other reasonably foreseeable loss or damage. You are entitled to have the goods repaired or replaced if the goods fail to be of acceptable quality and failure does not amount to major failure.

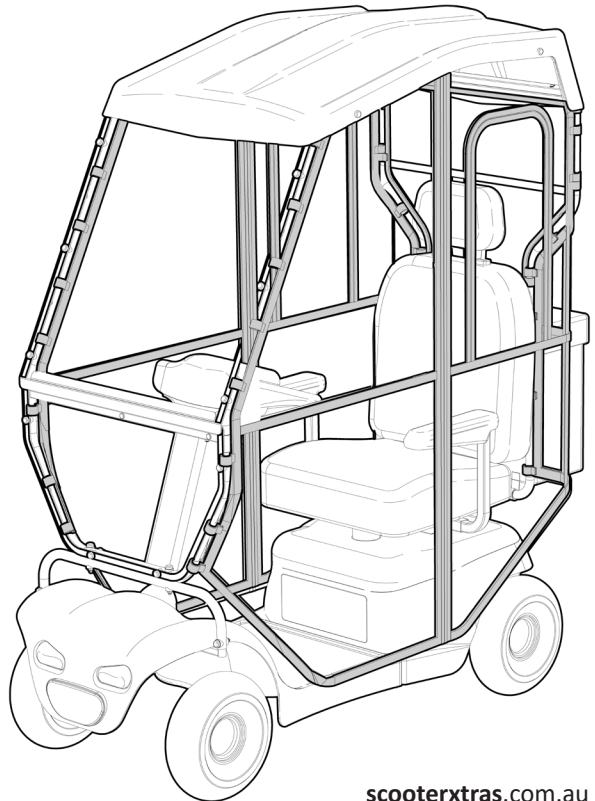
If you have any issues or questions about the Hard Canopy Side Covers please contact your supplier or SCOOTER XTRAS direct on:

T: +61 8 9248 4180

E: orders@for-de.com.au

A: 1 Business Way, Malaga
Western Australia 6090

Please keep this
User Manual
in a safe place
for future reference.



DISTRIBUTOR:

SCOOTER
XTRAS



Proudly Australian Owned and Operated