

REDGUMbrand
ASSISTED LIVING PRODUCTS

CRYSTAL 2 TRANSIT WHEELCHAIR

RG16BT: 410mm / 16" Seat

RG18BT: 460mm / 18" Seat

RG20BT: 510mm / 20" Seat

Edition 1



USER MANUAL

Please read and keep these instructions

ASK FOR THE BRAND

redgumbrandmobility.com.au

REDGUM brand

ASSISTED LIVING PRODUCTS

REDGUM Brand owns the copyright to the **CRYSTAL 2 Transit Wheelchair** user manual. Any information contained in this user manual shall not be photocopied, reproduced or translated into any other languages without the prior written consent of REDGUM Brand.

REDGUM Brand strives to provide the highest quality products possible. Products are subject to change without notice.

© Copyright **REDGUM Brand**



REDGUM Brand is part of **FOR-DE Group Pty Ltd**

ASK FOR THE BRAND

redgumbrandmobility.com.au

CONTENTS

1. **INTRODUCTION** - INTENDED USE
2. **PRODUCT OVERVIEW** - FEATURES / SPECIFICATIONS
3. **SET UP** - UNPACK and INSPECT SUPPLIED PARTS
4. **SET UP** - WHEELCHAIR UNFOLDING / FOLDING
5. **SET UP** - BACKREST UNFOLDING / FOLDING
6. **SET UP** - FIT SWING AWAY FOOTRESTS
7. **OPERATION** - HAND BRAKES
8. **OPERATION** - SWING AWAY FOOTPLATES
9. **CRYSTAL WHEELCHAIR ACCESSORIES**
10. **USAGE GUIDELINES** - DO's + DON'Ts
11. **PRODUCT CARE** - INSPECTIONS / CLEANING
12. **WARRANTY**



INTRODUCTION

Thank you for purchasing this quality **REDGUM Brand** product.

If you have any issues or questions about the **CRYSTAL 2 Transit Wheelchair** please contact your supplier or REDGUM Brand direct:

T: +61 8 9248 4180

E: sales@for-de.com.au

A: 1 Business Way, Malaga Western Australia 6090

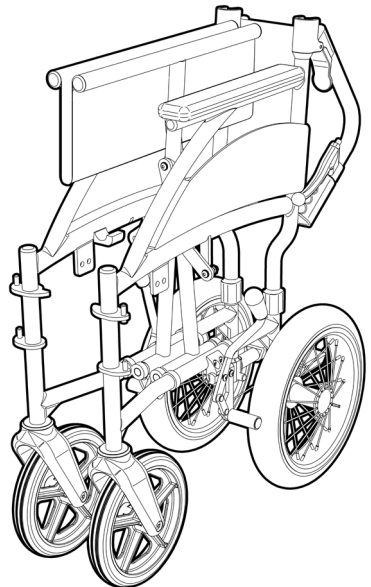
INTENDED USE

This product has limitations and should be used in accordance to these guidelines. Failure to follow these guidelines may result in damage to the product and injury to the user. It is the responsibility of the user to ensure the suitability of this product for its intended use. The user should consult their appropriate healthcare professional if unsure of the correct product usage for their unique circumstances.

Only use your **CRYSTAL 2 Transit Wheelchair** for its intended purpose which is as a short term usage mobile chair for a single user that is operated by an attendant / carer. Refer to usage guideline page for information on how to use the wheelchair in a safe manner.

IMPORTANT NOTE

This equipment **MUST** be assembled for use and operated by a competent person.



1.

ASK FOR THE BRAND

redgumbrandmobility.com.au

PRODUCT OVERVIEW

FEATURES

- Lightweight Aluminium frame
- Compact folding frame for storage and transit
- Fold down backrest
- Height adjustable swing away legrests
- Fold up footplates with heel straps
- Attendant and occupant hand / park brakes
- Padded armrests
- Storage pocket on backrest

ACCESSORIES

- Elevating Legrests (**RG18B6**)
- Stump Support (**RG18B7**)



SPECIFICATIONS (All dimensions shown are nominal)

Overall: (including swing away legrests)

RG16BT (410mm / 16" Seat): **560mm** (W) x **1000mm** (L) x **930mm** (H)

RG18BT (460mm / 18" Seat): **610mm** (W) x **1000mm** (L) x **930mm** (H)

RG20BT (510mm / 20" Seat): **660mm** (W) x **1000mm** (L) x **930mm** (H)

Folded Overall: (legrests removed)

RG16BT (410mm / 16" Seat): **245mm** (W) x **700mm** (L) x **740mm** (H)

RG18BT (460mm / 18" Seat): **245mm** (W) x **700mm** (L) x **740mm** (H)

RG20BT (510mm / 20" Seat): **245mm** (W) x **700mm** (L) x **800mm** (H)

Seat: (W - between armrests)

RG16BT (410mm / 16" Seat): **410mm** (W) x **420mm** (D) x **520mm** (H)

RG18BT (460mm / 18" Seat): **460mm** (W) x **420mm** (D) x **520mm** (H)

RG20BT (510mm / 20" Seat): **510mm** (W) x **420mm** (D) x **520mm** (H)

Armrests: **300mm** (L) x **50mm** (W) x **220mm** (H - from seat)

Backrest: (H - from seat)

RG16BT (410mm / 16" Seat): **420mm** (W) x **390mm** (H)

RG18BT (460mm / 18" Seat): **470mm** (W) x **390mm** (H)

RG20BT (510mm / 20" Seat): **520mm** (W) x **390mm** (H)

Footrests: **180mm** (W) x **155mm** (D) x **370 - 480mm** (H - from seat)

Flat Free Wheels: Front: **Ø200mm (8") swivel castors** Rear: **Ø300mm (12")**

Wheelchair Weight (legrests removed):

RG16BT (410mm / 16" Seat): **10.2kg**

RG18BT (460mm / 18" Seat): **10.5kg**

RG20BT (510mm / 20" Seat): **10.8kg**

Legrest Weight: **0.6kg** (each)

Maximum User Weight: **127kg** (evenly distributed)

Please contact
REDGUM Brand
if you would like any
further information on the
CRYSTAL 2 Transit Wheelchair.

2.

ASK FOR THE BRAND

redgumbrandmobility.com.au

SET UP - UNPACK and INSPECT SUPPLIED PARTS

Ensure you have been supplied with the following parts:

We recommend that you visually inspect the following aspects of the wheelchair prior to use:

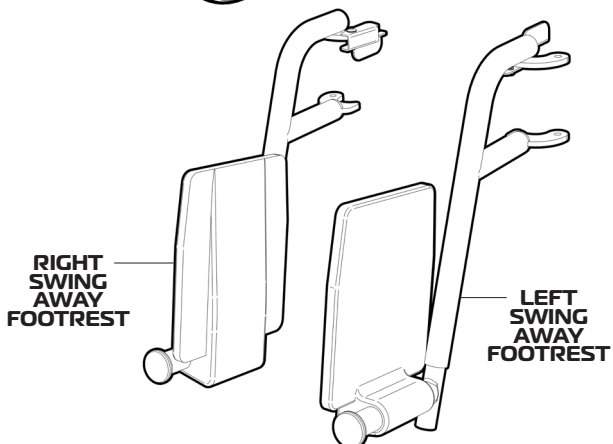
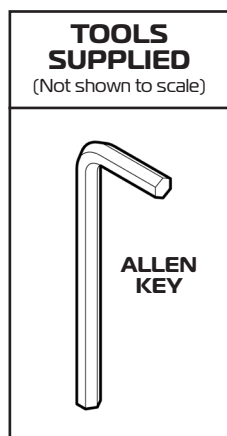
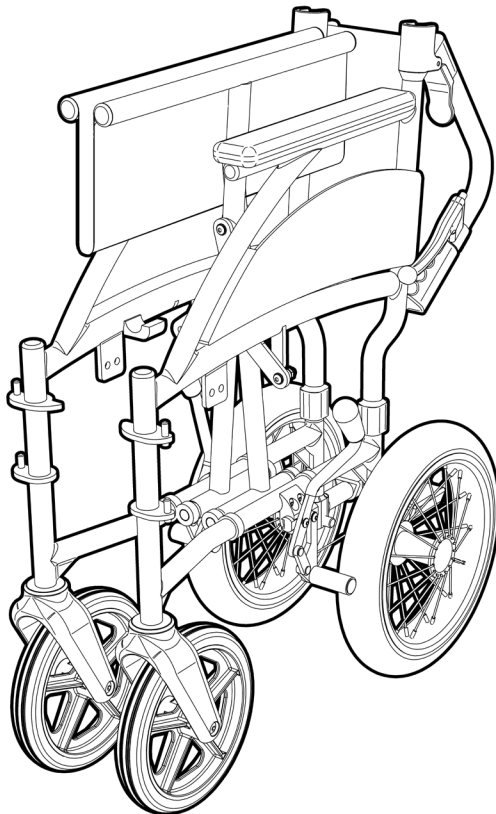
- Framework
- Upholstery
- Wheels
- Brakes + cables

IMPORTANT NOTE:

If you see any damage or suspect a fault,

DO NOT USE THE PRODUCT

and contact your supplier for support.



3.

ASK FOR THE BRAND

redgumbrandmobility.com.au

SET UP - WHEELCHAIR UNFOLDING / FOLDING

The **CRYSTAL 2 Transit Wheelchair** requires unfolding prior to use.

Please follow these steps:

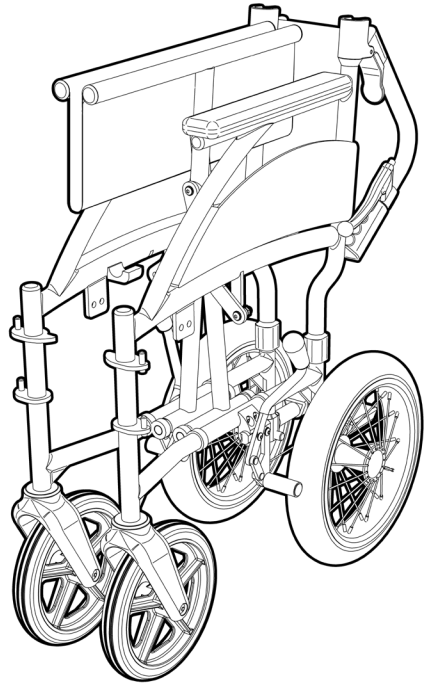
1. Pull **OUT** on both of the armrests at the same time to open out the wheelchair.
2. Push down on the outside edges of seat to ensure wheelchair has been fully unfolded.

Important note:

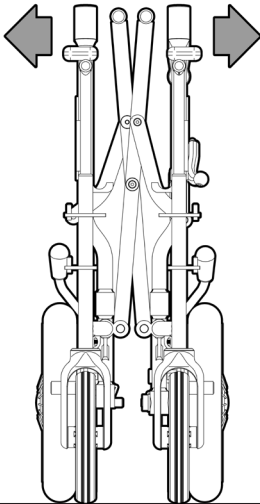
DO NOT place fingers underneath seat when unfolding wheelchair!

To fold wheelchair:

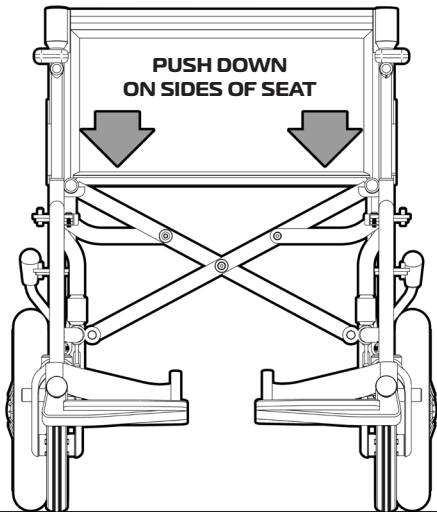
- Pull **UP** on the middle of the seat.
- (Ensure footplates are up prior to folding)



**PULL OUT ON
ARMRESTS**



**PULL OUT ON
ARMRESTS**

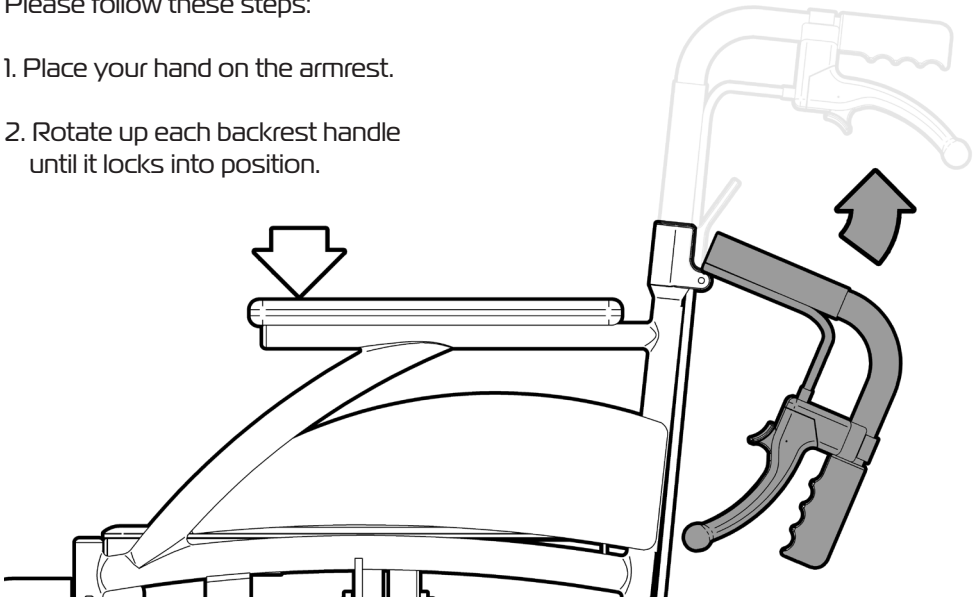


4.

SET UP - BACKREST UNFOLDING / FOLDING

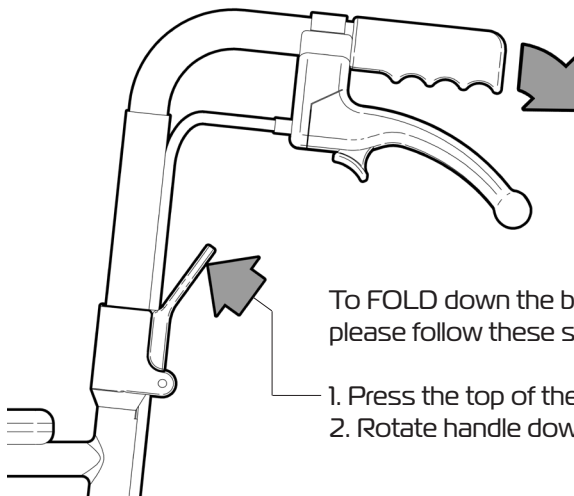
The **CRYSTAL 2 Transit Wheelchair** comes with the backrest folded down and requires unfolding prior to use. Please follow these steps:

1. Place your hand on the armrest.
2. Rotate up each backrest handle until it locks into position.



Important note:

Check to ensure both backrest handles have locked into position prior to use. (Loud 'CLICK' should be heard when they have fully located in place)



To FOLD down the backrest handles please follow these steps:

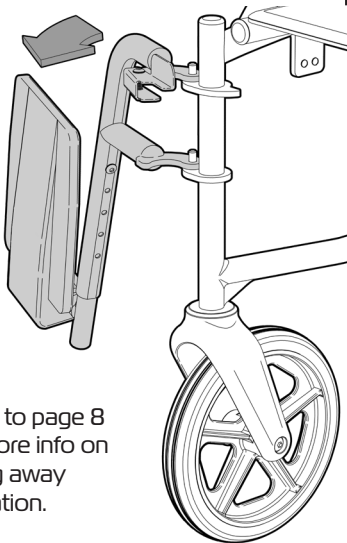
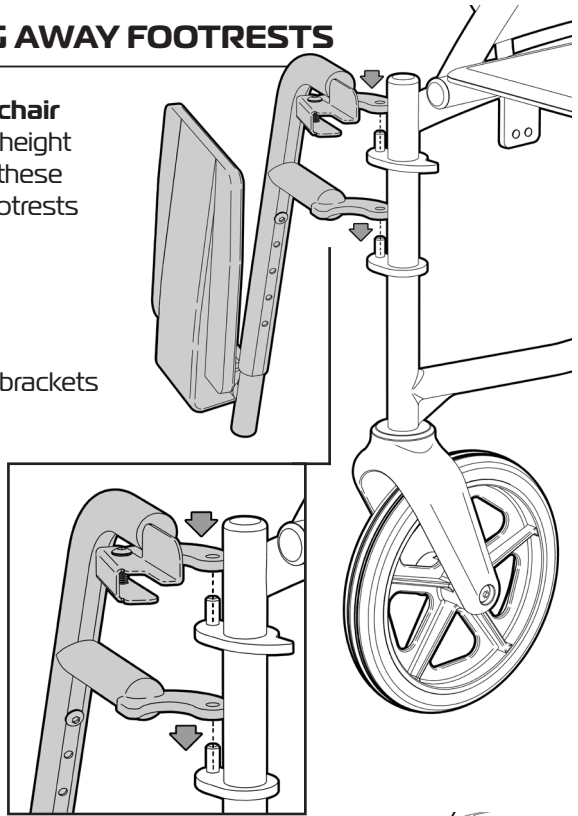
1. Press the top of the lever in towards the frame.
2. Rotate handle down.

5.

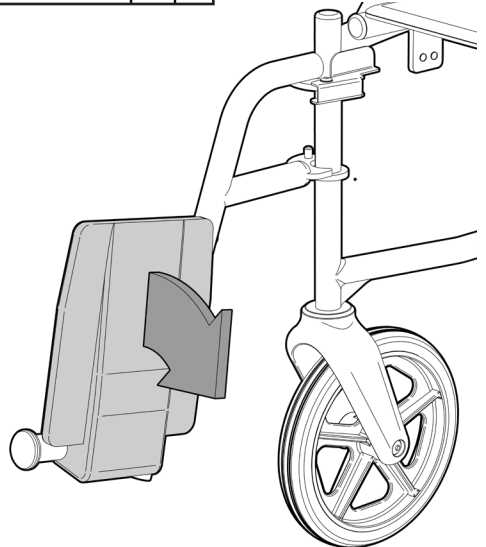
SET UP - FIT SWING AWAY FOOTRESTS

The **CRYSTAL 2 Transit Wheelchair** comes with removable adjustable height swing up footrests. Please follow these steps to locate the swing away footrests onto the wheelchair:

1. Position the swing away at 90° to the wheelchair as shown.
2. Line up the holes on the end of brackets with pins on wheelchair frame.
3. Gently lower swing away onto brackets.
4. Rotate swing away in towards wheelchair until it locks into position.
5. Rotate footplate down if required.
6. Repeat process to locate other swing away onto wheelchair.



Refer to page 8 for more info on swing away operation.



6.

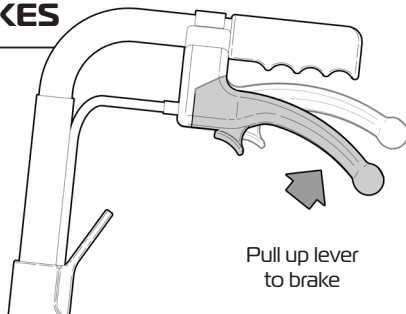
OPERATION - HAND BRAKES

The **CRYSTAL 2 Transit Wheelchair** comes with attendant operated hand brakes located on the push handles.

To **ENGAGE** brake:

Pull up on lever.

Brake will disengage when lever when released.



To **ENGAGE PARK** brake:

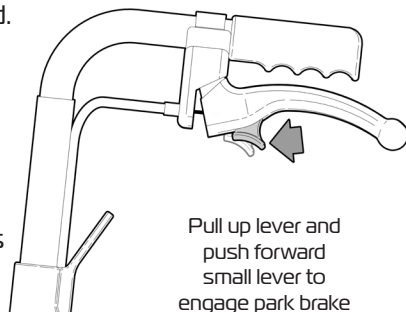
Pull up on lever and then push small lever forward.

Brake will remain engaged when lever is released.

To **DIS-ENGAGE** PARK brake:

Pull up on brake lever.

Park brake will disengage automatically.



The **CRYSTAL 2 Transit Wheelchair** also comes with occupant operated hand brakes located on each side of wheelchair in front of rear wheels.

To **ENGAGE PARK** brake:

Push lever forward.

Brake will remain engaged when lever is released.

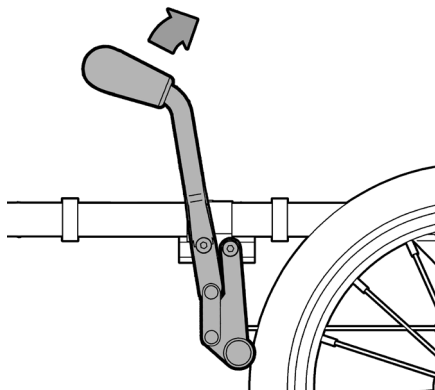
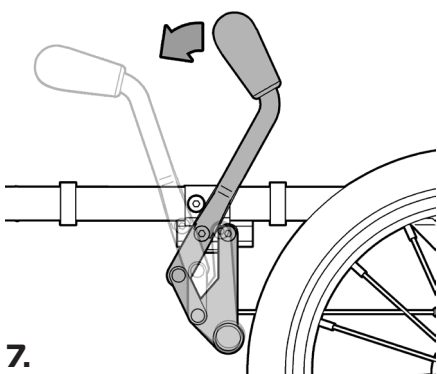
To **DIS-ENGAGE** PARK brake:

Pull lever back.

Park brake will disengage when lever when released.

Note:

It is recommended that the park brake is engaged when wheelchair is in use and is stationary.



7.

OPERATION - SWING AWAY FOOTPLATES

The **CRYSTAL 2 Transit Wheelchair** comes with adjustable height swing up footplates.

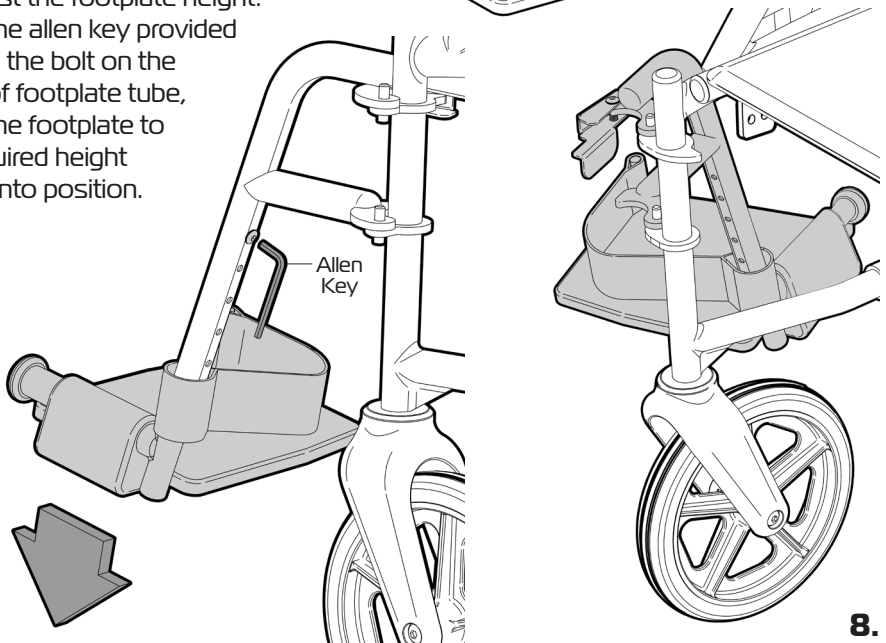
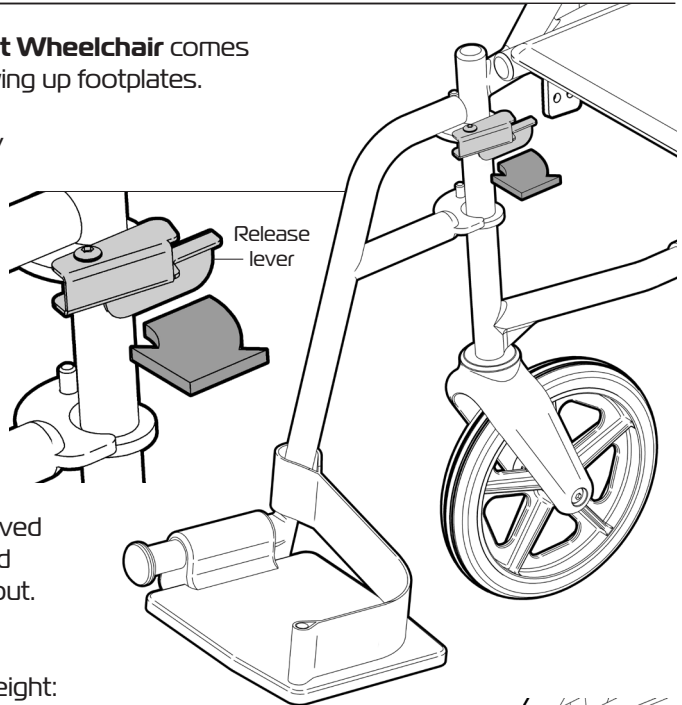
To rotate the swing away out pull the release lever in towards the centre of the wheelchair.

The swing away will automatically swing out towards the outside of the wheelchair.

Note:

Swing away can be removed from wheelchair if required once it has been swung out.

To adjust the footplate height: Using the allen key provided remove the bolt on the inside of footplate tube, move the footplate to the required height and fix into position.



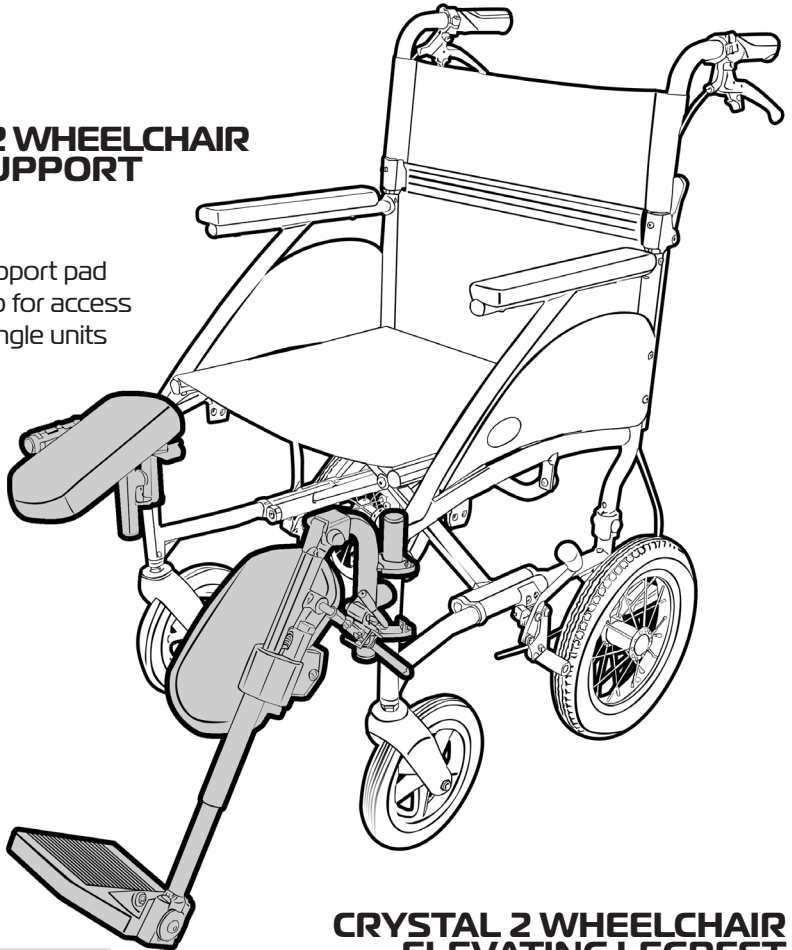
CRYSTAL WHEELCHAIR ACCESSORIES

REDGUM Brand offers a range of CRYSTAL WHEELCHAIR accessories to accompany the wheelchair:

CRYSTAL 2 WHEELCHAIR STUMP SUPPORT

RG18B7

- Adjustable support pad
- Pad swings up for access
- Supplied as single units



CRYSTAL 2 WHEELCHAIR ELEVATING LEGREST

RG18B6

- Height adjustable elevating legrest and footrest
- Swings away for access
- Rotating leg support
- Supplied in pairs

Suitable for all products in the **CRYSTAL 2 WHEELCHAIR** range

9.

ASK FOR THE BRAND

redgumbrandmobility.com.au

USAGE GUIDELINES - DO'S + DON'TS

Please follow these guidelines to get the optimal benefit from the **CRYSTAL 2 Transit Wheelchair**. Failure to follow these guidelines may result in damage to the wheelchair and put the user at risk.

The **CRYSTAL 2 Transit Wheelchair** is designed to take 127kg Maximum Load (evenly distributed). Do not overload the wheelchair!

The footplates are not designed to be load bearing. Do not stand on the footplates when getting on or off the wheelchair.

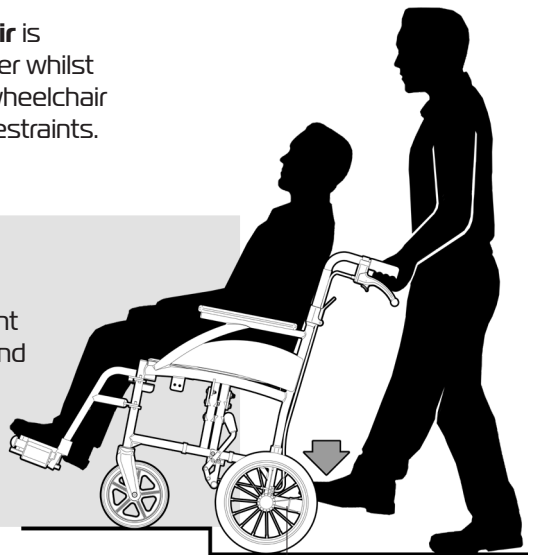
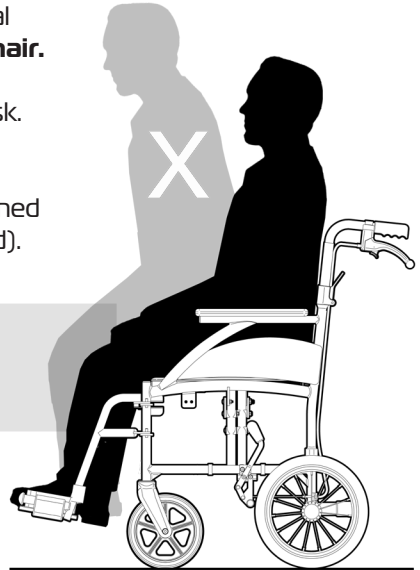
Always engage the park brakes when user is getting on or off the wheelchair.

Go up or down inclines directly. Do not try to cross on an angle as this will cause instability and wheelchair may tip over.

IMPORTANT NOTE

The **CRYSTAL 2 Transit Wheelchair** is NOT APPROVED to transport the user whilst in a vehicle. The user must stow the wheelchair and transfer to a seat with approved restraints.

Tip up bars have been incorporated to assist when maneuvering the wheelchair over a step. The attendant can raise the front wheel of the ground by simultaneously pushing down on the push handles and pushing down on the tip up bar with their foot.



Tipper bars

PRODUCT CARE - INSPECTIONS / CLEANING

INSPECTIONS

We suggest that the **CRYSTAL 2 Transit Wheelchair** is visually checked periodically for signs of damage or wear prior to use. Overall check that no components are loose or worn.



Withdraw the wheelchair immediately if you suspect damage or any other fault. If in any doubt, please do not issue or use, but immediately contact your supplier for service support.

IMPORTANT NOTE

Do not fit any parts or accessories to the **CRYSTAL 2 Transit Wheelchair** that are manufactured by another company. To do so will void your warranty and may seriously compromise your safety.

CLEANING

Clean the **CRYSTAL 2 Transit Wheelchair** using anti bacterial wipes. A non-abrasive cleaner or mild detergent and a soft cloth can also be used.

Abrasive cleaners or abrasive cleaning pads could damage the wheelchair and should not be used.



WARRANTY

REDGUM Brand:

RG16BT - CRYSTAL 2 Transit Wheelchair (410mm / 16" Seat)

RG18BT - CRYSTAL 2 Transit Wheelchair (460mm / 18" Seat)

RG20BT - CRYSTAL 2 Transit Wheelchair (510mm / 20" Seat)

is covered by a **12 Month Warranty** from the date of purchase.

If the product has any manufacturing faults during this period contact the place of purchase for assessment. Failures as a result of **ACCIDENTAL MISUSE, MODIFICATION OR WEAR AND TEAR ARE NOT COVERED BY THIS WARRANTY.**

Our goods come with guarantees that cannot be excluded under the Australian Consumer Law. You are entitled to a replacement part for a major failure and for compensation for any other reasonably foreseeable loss or damage. You are entitled to have the goods repaired or replaced if the goods fail to be of acceptable quality and failure does not amount to major failure.

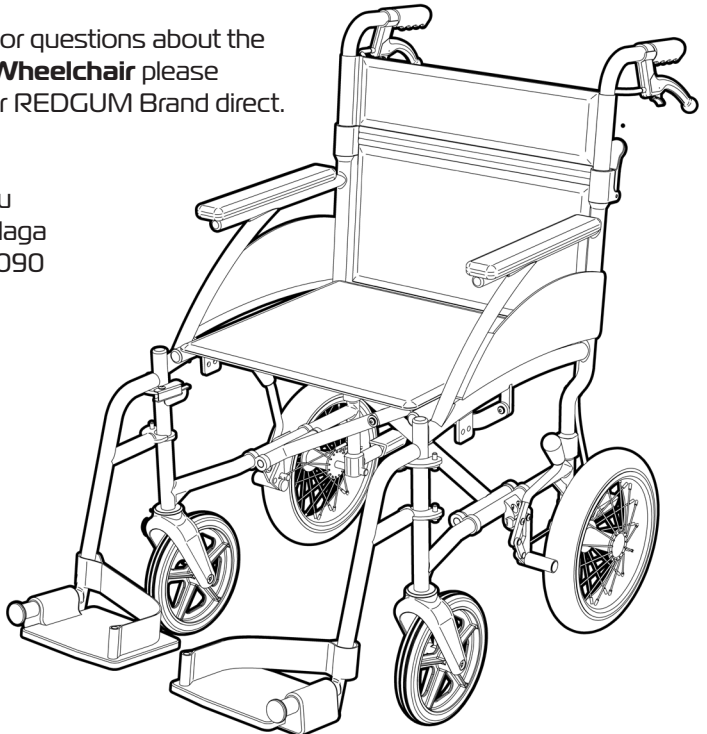
If you have any issues or questions about the **CRYSTAL 2 Transit Wheelchair** please contact your supplier or REDGUM Brand direct.

T: +61 8 9248 4180

E: sales@for-de.com.au

A: 1 Business Way, Malaga
Western Australia 6090

**Please keep this
User Manual
in a safe place
for future reference.**



DISTRIBUTOR:

REDGUM brand
ASSISTED LIVING PRODUCTS



**Proudly
Australian Owned
and Operated**

ASK FOR THE BRAND

redgumbrandmobility.com.au