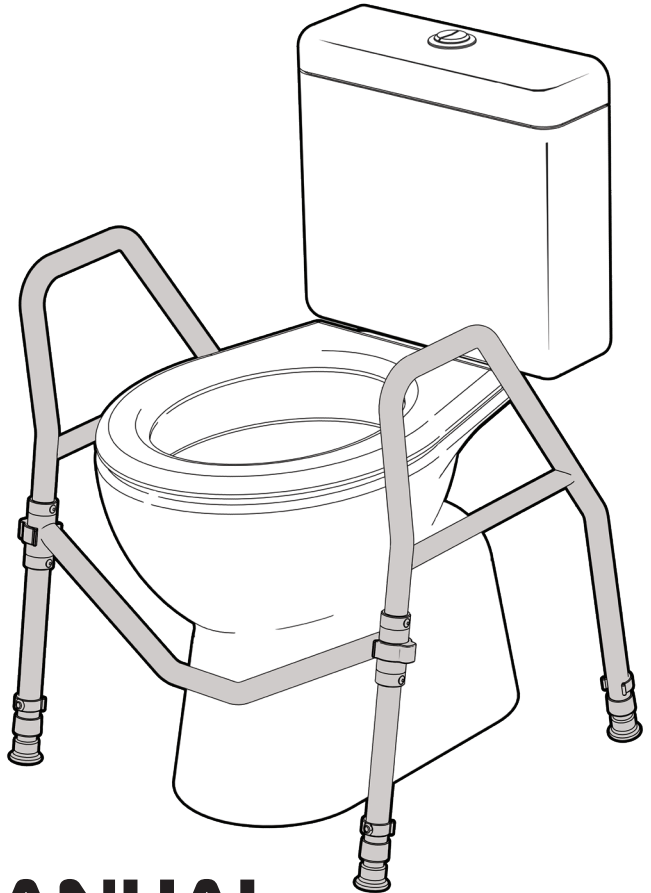


REDGUM brand
ASSISTED LIVING PRODUCTS

DUAL GRAB FOLDING TOILET SURROUND

RG52FTS

Edition 1



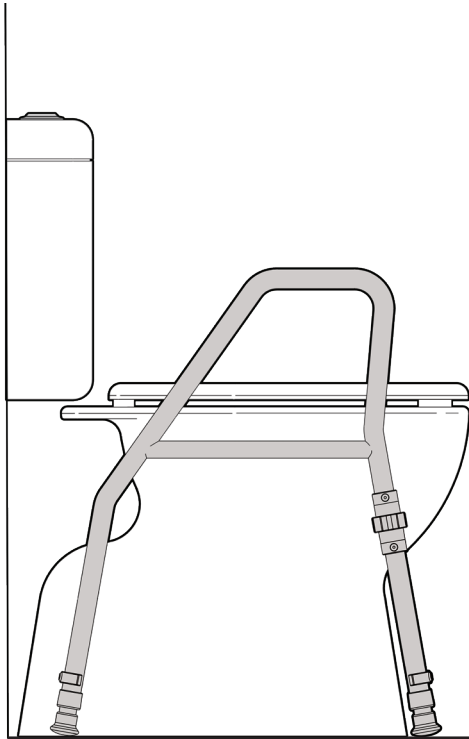
R REGISTERED
DESIGN

USER MANUAL

Please read and keep these instructions

ASK FOR THE BRAND

redgumbrand.com.au



REDGUM brand

ASSISTED LIVING PRODUCTS

REDGUM Brand owns the copyright to the Dual Grab Folding Toilet Surround user manual. Any information contained in this user manual shall not be photocopied, reproduced or translated into any other languages without the prior written consent of REDGUM Brand.

REDGUM Brand strives to provide the highest quality products possible. Products are subject to change without notice.

© Copyright **REDGUM Brand**



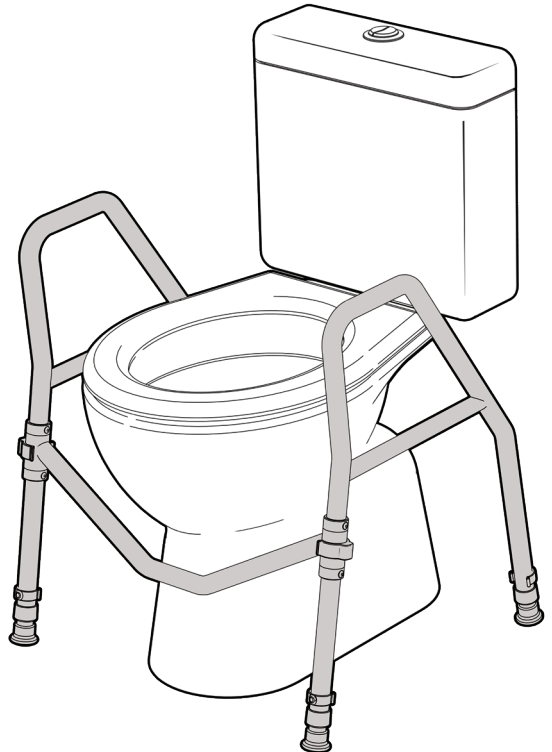
REDGUM Brand is part of **FOR-DE Group Pty Ltd**

ASK FOR THE BRAND

redgumbrand.com.au

CONTENTS

1. **INTRODUCTION** - INTENDED USE
2. **PRODUCT OVERVIEW** - FEATURES / SPECIFICATIONS
3. **SET UP** - UNFOLD TOILET SURROUND
4. **SET UP** - UNFOLD TOILET SURROUND (continued)
5. **SET UP** - ADJUST HEIGHT
6. **USAGE GUIDELINES**
7. **PRODUCT CARE** - INSPECTIONS / CLEANING
8. **WARRANTY**



INTRODUCTION

Thank you for purchasing this **REDGUM Brand** product.

If you have any issues or questions about the Dual Grab Folding Toilet Surround please contact your supplier or REDGUM Brand direct:

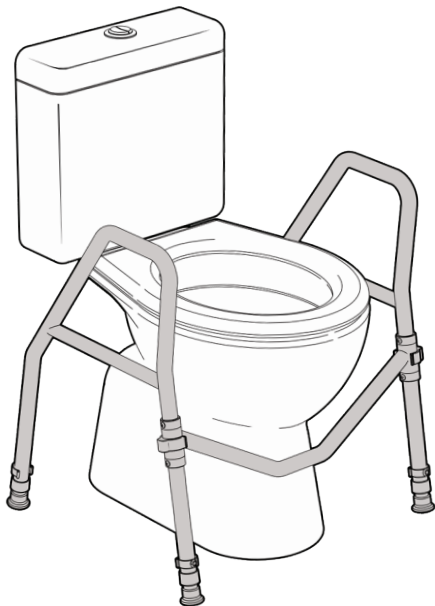
T: **+61 8 9248 4180** E: **orders@for-de.com.au**

INTENDED USE

This product has limitations and should be used in accordance to these guidelines. Failure to follow these guidelines may result in damage to the product and injury to the user. It is the responsibility of the user to ensure the suitability of this product for its intended use.

The user should consult their appropriate healthcare professional if unsure of the correct product usage for their unique circumstances.

Only use the Dual Grab Folding Toilet Surround for its intended purpose which is as a stability aid to lean on for support to maintain balance whilst sitting or standing during toileting.



IMPORTANT NOTE

This equipment **MUST** be set up by a competent person.

Maximum Supportive Load: 130kg

Exceeding the weight limit could cause damage to the product and could put the user at risk.

1.

ASK FOR THE BRAND

redgumbrand.com.au

PRODUCT OVERVIEW

FEATURES

- Excellent sitting / standing aid when toileting.
- Dual grab handles assist with positioning when sitting on the toilet.
- Height adjustable legs.
- Non slip leg tips.
- Easy to set up (No tools required).
- Easy to position and remove.
- Can be folded for storage or transit.

SPECIFICATIONS

(All dimensions shown are nominal)

Unfolded:

Width overall: **560mm**

Width between handles: **495mm**

Depth: **500mm**

Heights (floor to top of handle)

5 settings

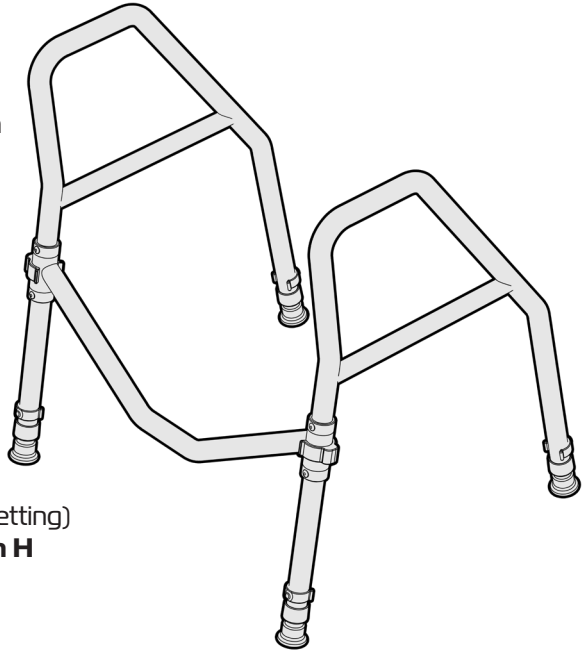
Hole 1: **600mm**

Hole 2: **625mm**

Hole 3: **650mm**

Hole 4: **675mm**

Hole 5: **700mm**



Overall folded (at lowest height setting)

560mm L x 90mm W x 600mm H

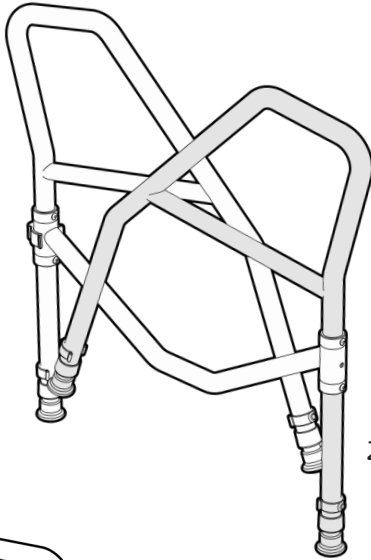
Product Weight: **3kg**

Maximum Supportive Load: **130kg**

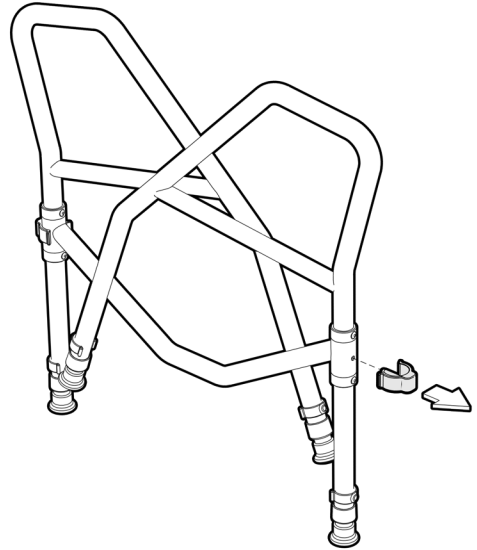
Please contact **REDGUM Brand** if you would like any further information on the Dual Grab Folding Toilet Surround.

SET UP: UNFOLD TOILET SURROUND

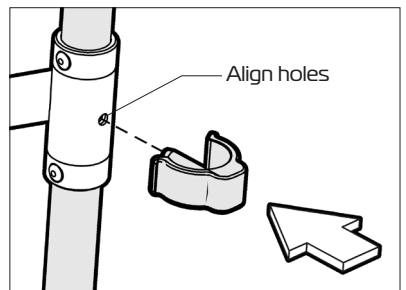
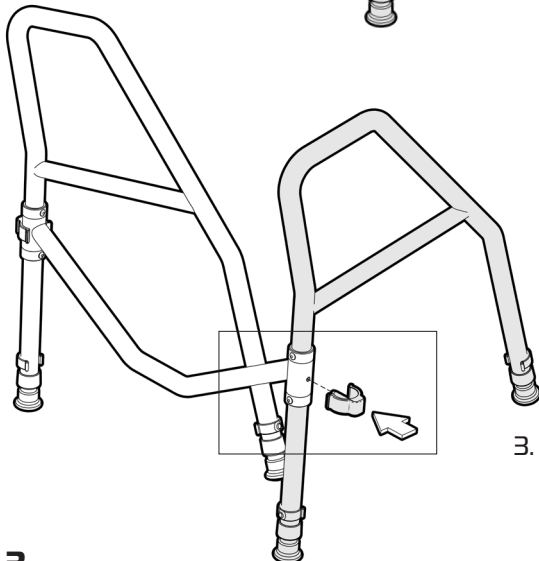
Please follow these instructions to unfold the Toilet Surround:



2. Rotate frame around.



1. Remove clip.



3. Align holes and re-fit clip.

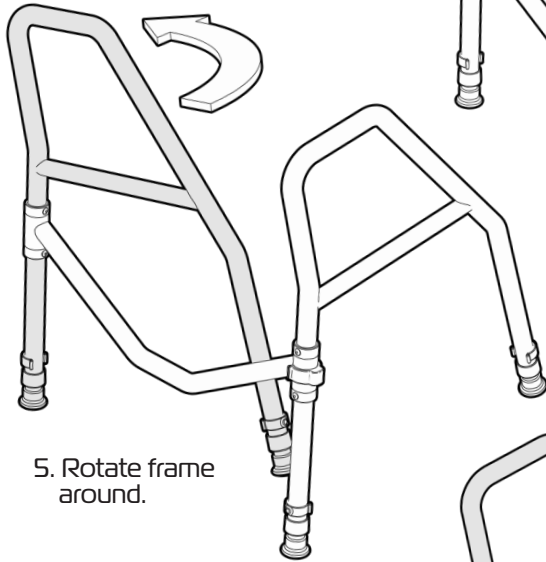
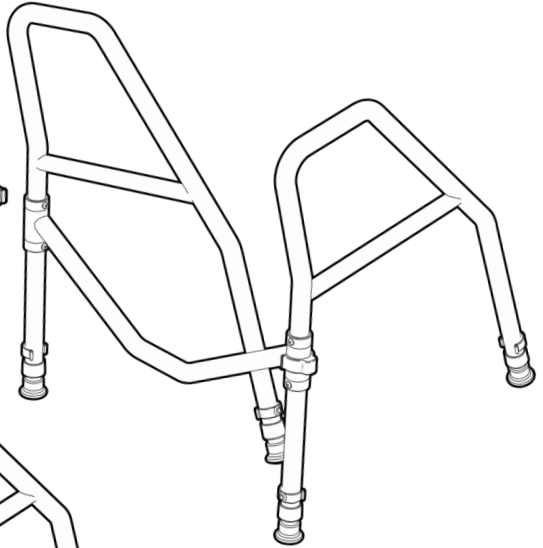
3.

ASK FOR THE BRAND

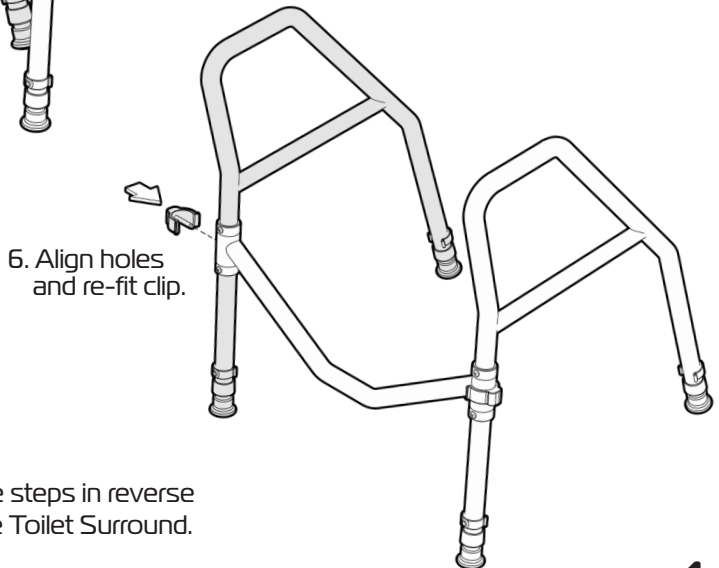
redgumbrand.com.au

SET UP: UNFOLD TOILET SURROUND continued

4. Remove clip.



5. Rotate frame around.



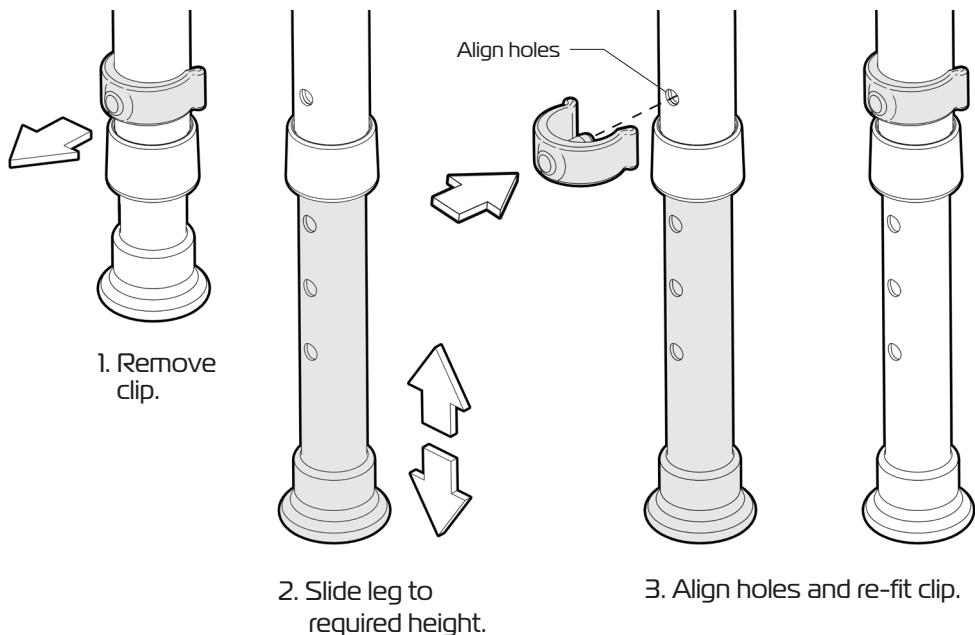
6. Align holes and re-fit clip.

Complete the steps in reverse to fold up the Toilet Surround.

4.

SET UP: ADJUST HEIGHT

Please follow these instructions to adjust the height of the Toilet Surround.



IMPORTANT NOTE: Ensure all legs are set at the same height prior to use.

Handle Heights
(Floor to top of handle)

5 settings

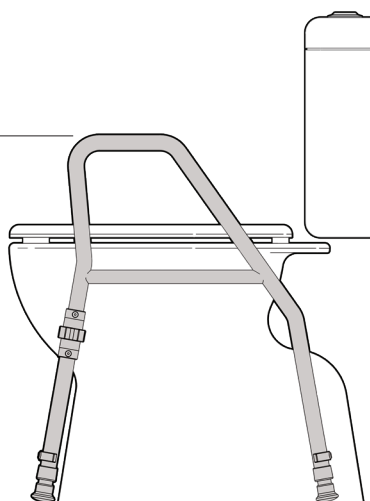
Hole 1: **600mm**

Hole 2: **625mm**

Hole 3: **650mm**

Hole 4: **675mm**

Hole 5: **700mm**



5.

ASK FOR THE BRAND

redgumbrand.com.au

USAGE GUIDELINES

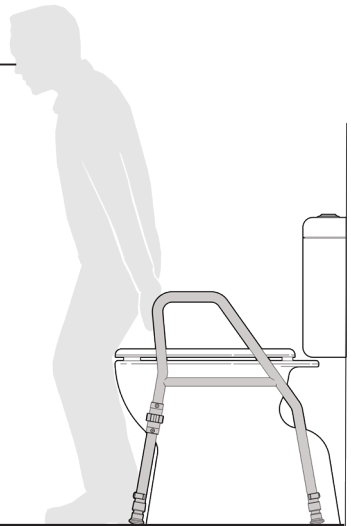
Please follow these guidelines to get the optimal benefit from the Dual Grab Folding Toilet Surround.

Failure to follow these guidelines may result in damage to the toilet surround and put the user at risk.

Maximum Supportive Load: **130kg**

Ensure that the Toilet Surround has been set up at the correct height to suit the users requirements.

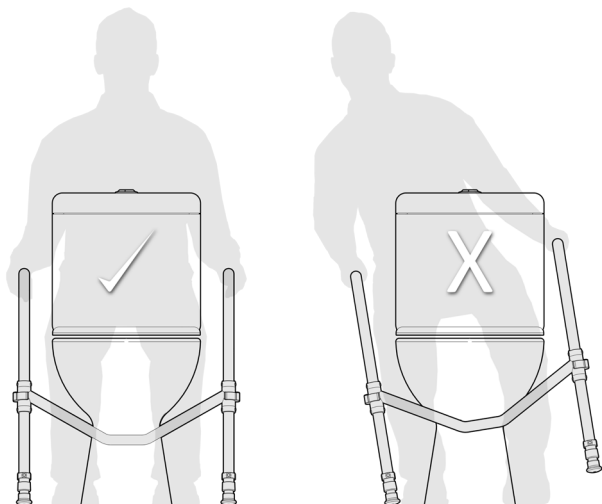
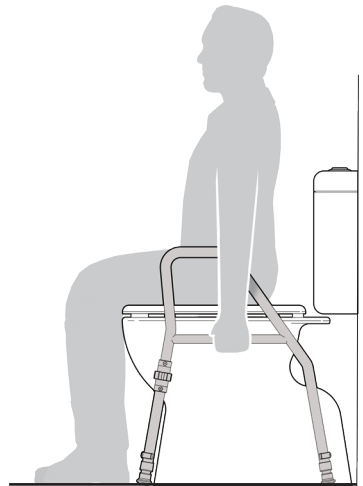
Top of handles should be within reach when standing in front of the Toilet Surround.



Always have both hands on the handles and ensure your body weight is central over the Toilet Surround when getting on and off the toilet.

Use the lower handles when appropriate to reposition yourself when using the toilet.

Ensure ALL FOUR LEGS remain on the ground at all times when the Toilet Surround is being used.



IMPORTANT NOTE
Do not lean too far to the side causing the legs to leave the ground.

PRODUCT CARE: INSPECTIONS / CLEANING

INSPECTIONS

We suggest that you visually check the Dual Grab Folding Toilet Surround periodically for signs of damage or wear prior to use. Overall check the following:

- Frame has no distortion.
- Plastic components are not damaged or cracked.
- Clips locate on frame as required and remain clipped around tube.



Withdraw the Dual Grab Folding Toilet Surround immediately if you suspect damage or any other fault. If in any doubt, please do not issue or use, but immediately contact your supplier for service support.

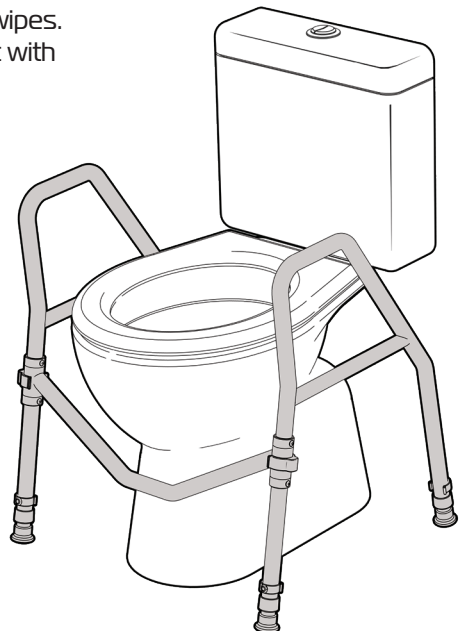
CLEANING

We recommend that you attend to any required cleaning as soon as possible to reduce the possibility of staining.

Clean the toilet surround using disinfectant wipes. We do not recommend cleaning the product with soap and water.

Do not use any abrasive cleaners or abrasive cleaning pads as they could damage the toilet surround.

If you have any questions about the cleaning of the product please contact your supplier or REDGUM brand direct.



7.

ASK FOR THE BRAND

redgumbrand.com.au

WARRANTY

REDGUM Brand Dual Grab Folding Toilet Surround (RG52FTS) is covered by a 12 month warranty from the date of purchase.

If the product has any manufacturing faults during this period contact the place of purchase for assessment. Failures as a result of **ACCIDENTAL MISUSE, MODIFICATION OR WEAR AND TEAR ARE NOT COVERED BY THIS WARRANTY.**

During the guarantee period, if the company is satisfied there is a genuine fault, we will repair or replace the product at our earliest convenience. There may be freight charges if the product needs to be returned to the place of purchase.

In order for this guarantee to be valid, you must:

- Be the original purchaser.
- Provide a copy of the original invoice.
- Comply with manufacturer care and maintenance instructions.

Our goods come with guarantees that cannot be excluded under the Australian Consumer Law. You are entitled to a replacement part for a major failure and for compensation for any other reasonably foreseeable loss or damage. You are entitled to have the goods repaired or replaced if the goods fail to be of acceptable quality and failure does not amount to major failure.

Do not modify the Dual Grab Folding Toilet Surround in any way or fit any parts or accessories that are not specified as an option. To do so will void your warranty and may seriously compromise your safety.

If you have any issues or questions about the Dual Grab Folding Toilet Surround please contact your supplier or REDGUM Brand direct on:

T: **+61 8 9248 4180**

E: **orders@for-de.com.au**



DISTRIBUTOR:

