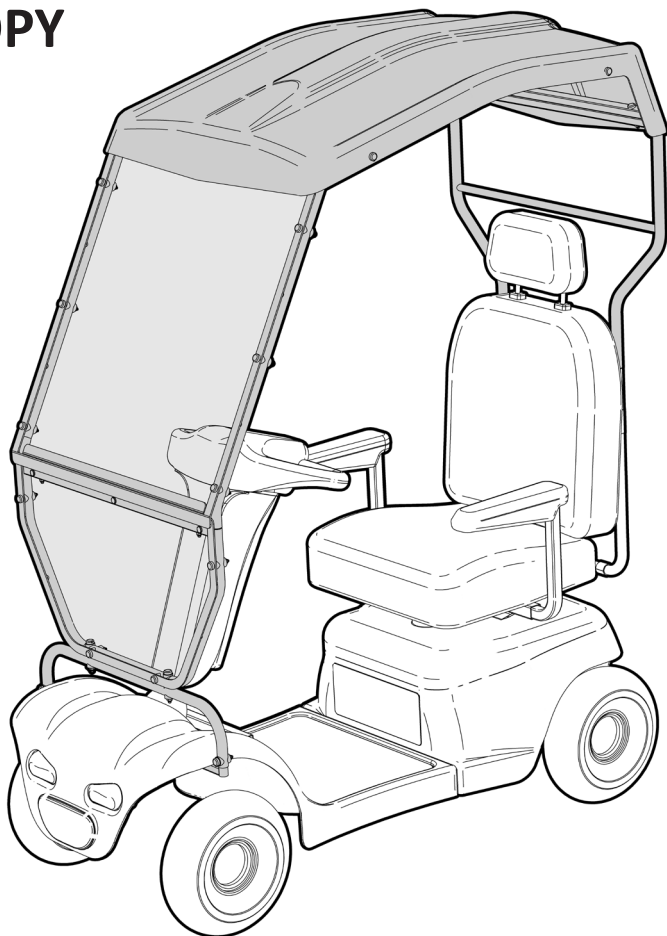


SCOOTER **XTRAS**

HARD CANOPY

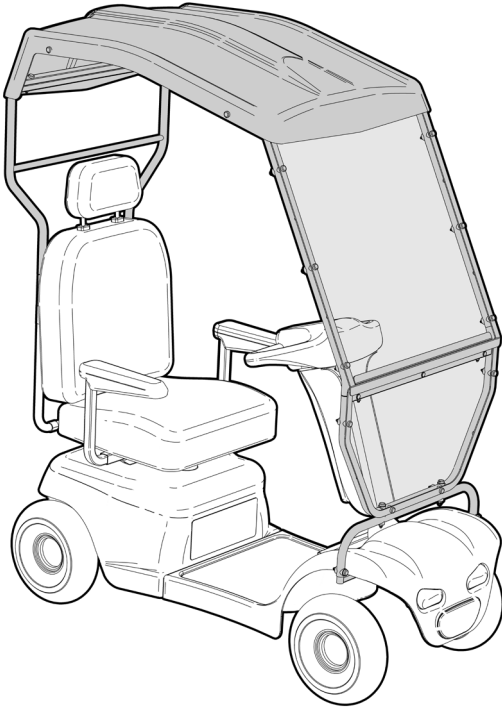
SE-HC

Edition 2



USER MANUAL

Please read and keep these instructions



SCOOTER XTRAS

SCOOTER XTRAS owns the copyright to the Hard Canopy user manual. Any information contained in this user manual shall not be photocopied, reproduced or translated into any other languages without the prior written consent of Scooter Xtras.

SCOOTER XTRAS strives to provide the highest quality products possible. Products are subject to change without notice.

© Copyright **SCOOTER XTRAS** 2021



SCOOTER XTRAS is part of **FOR-DE Group Pty Ltd**

scooterxtras.com.au

CONTENTS

1. **INTRODUCTION** - INTENDED USE
2. **PRODUCT OVERVIEW** - FEATURES / SPECIFICATIONS
3. **ASSEMBLY** - UNPACK and INSPECT SUPPLIED PARTS
4. **ASSEMBLY** - BAG / WALKER CARRIER LOCATION
5. **ASSEMBLY** - MOUNT KIT LOCATION
6. **ASSEMBLY** - MOUNT KIT 1 FIXING
7. **ASSEMBLY** - CANOPY PRE-ASSEMBLY (UPPER WINDSCREEN)
8. **ASSEMBLY** - CANOPY PRE-ASSEMBLY (LOWER WINDSCREEN)
9. **ASSEMBLY** - CANOPY PRE-ASSEMBLY (MOUNT KIT CROSS TUBE)
10. **ASSEMBLY** - CANOPY PRE-ASSEMBLY (REAR FRAME)
11. **ASSEMBLY** - CANOPY ON SCOOTER
12. **USAGE GUIDELINES** - DO's + DON'Ts
13. **PRODUCT CARE** - INSPECTIONS / CLEANING
14. **WARRANTY**
15. **SCOOTER XTRAS HARD CANOPY SIDE COVERS / ACCESSORIES**
16. **NOTES**

INTRODUCTION

Thank you for purchasing this quality **SCOOTER XTRAS** product.
If you have any issues or questions about the **Hard Canopy**
please contact your supplier or Scooter Xtras direct:

T: +61 8 9248 4180

F: +61 8 9248 9452

E: sales@for-de.com.au

A: 1 Business Way, Malaga Western Australia 6090

INTENDED USE

This product has limitations and should be used in accordance to these guidelines. Failure to follow these guidelines may result in damage to the product and injury to the user. It is the responsibility of the user to ensure the suitability of this product for its intended use. The user should consult their appropriate healthcare professional if unsure of the correct product usage for their unique circumstances.

Only use your **Hard Canopy** for the purpose for which it is intended, which is as a wind and sun shelter solution - it is not designed to be a rain shelter solution as mobility scooters should not be operated in the rain.

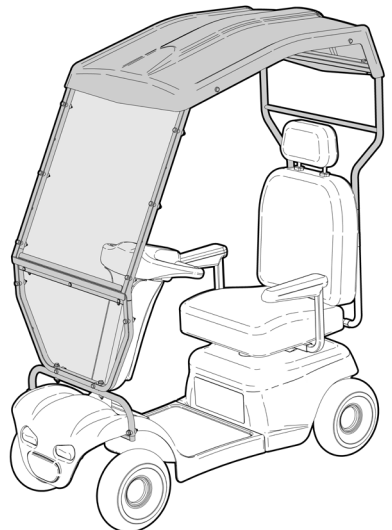
IMPORTANT NOTE

This equipment **MUST** be assembled by competent people. We recommend that 2 people install the hard canopy onto the mobility scooter.

Tools required (not supplied) for assembly:

- 4mm Allen key
- 10mm Spanner
- Cordless drill with phillips head driver
- Rule and marking pen

Using a mobility scooter fitted with a Hard Canopy in strong winds and adverse weather can seriously compromise your safety and may damage the mobility scooter beyond repair.



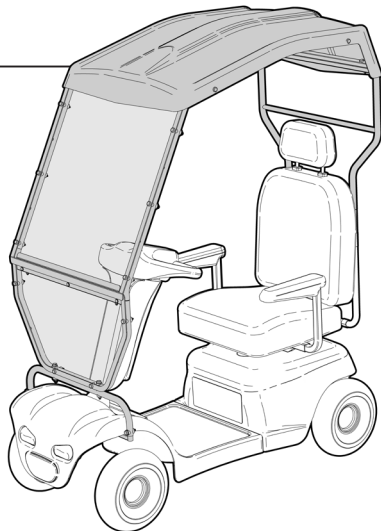
PRODUCT OVERVIEW

FEATURES

- Provides excellent wind + sun protection
- Clear polycarbonate windscreens
- Lightweight metal framework
- Used in conjunction with SE-BC: Bag Carrier
- Easily removable for servicing
- Retro fittable to certain Shoprider mobility scooters

Optional Extras

- Retro fittable Clear PVC side + rear covers



SPECIFICATIONS (All dimensions shown are nominal)

Overall Dimensions:

Length: 1300mm

Width: 720mm

Height: 1400mm

Product Weight:

8kg

IMPORTANT NOTE:

Hard Canopy can only be fitted to the following Mobility Scooters:

SHOPRIDER ROCKY 4 (**Mount Kit 1** required)

SHOPRIDER ROCKY 6 (**Mount Kit 1** required)

SHOPRIDER ALLROUNDER (**Mount Kit 2** required)

SHOPRIDER 889SL (**Mount Kit 2** required)

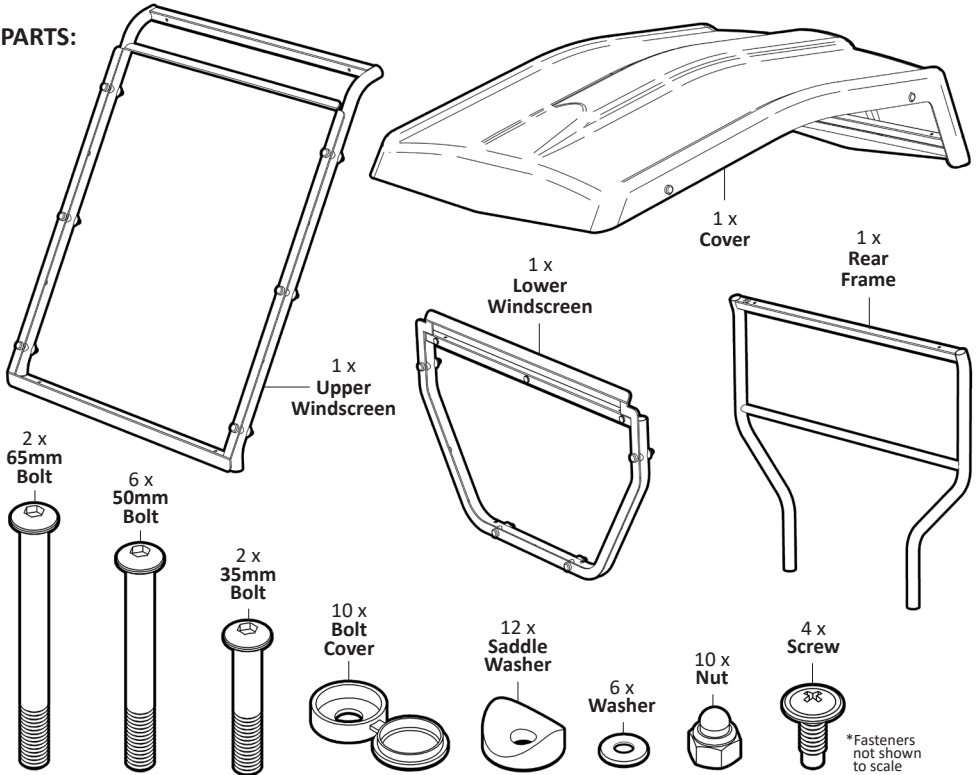
SE-BC: Bag + Walking Sticker Carrier or **SE-WWC: Wheelie Walker Carrier** is required to fit Hard Canopy to any mobility scooter.

Please contact **SCOOTER XTRAS** if you would like any further information on your **Hard Canopy**.

ASSEMBLY - UNPACK and INSPECT SUPPLIED PARTS

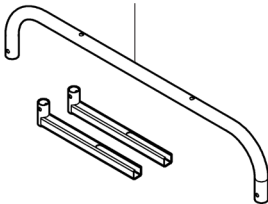
Ensure you have been supplied with the following parts:

PARTS:



Mount Kit 1 (Supplied)

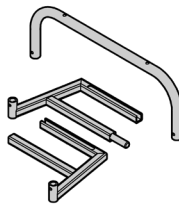
Suitable for:
SHOPRIDER ROCKY 4
SHOPRIDER ROCKY 6



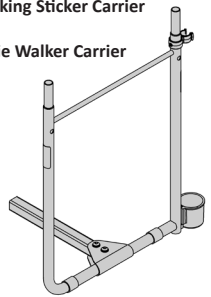
Not included but required to fit Hard Canopy to required mobility scooter:

Mount Kit 2

Suitable for
SHOPRIDER ALLROUNDER
SHOPRIDER 889SL



SE-BC: Bag + Walking Sticker Carrier
or
SE-WWC: Wheelie Walker Carrier



IMPORTANT NOTE

Check the product for any visible damage. If you see any damage or suspect a fault, **DO NOT USE YOUR PRODUCT** and contact your supplier for support.

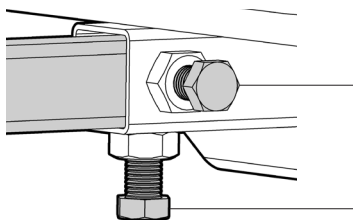
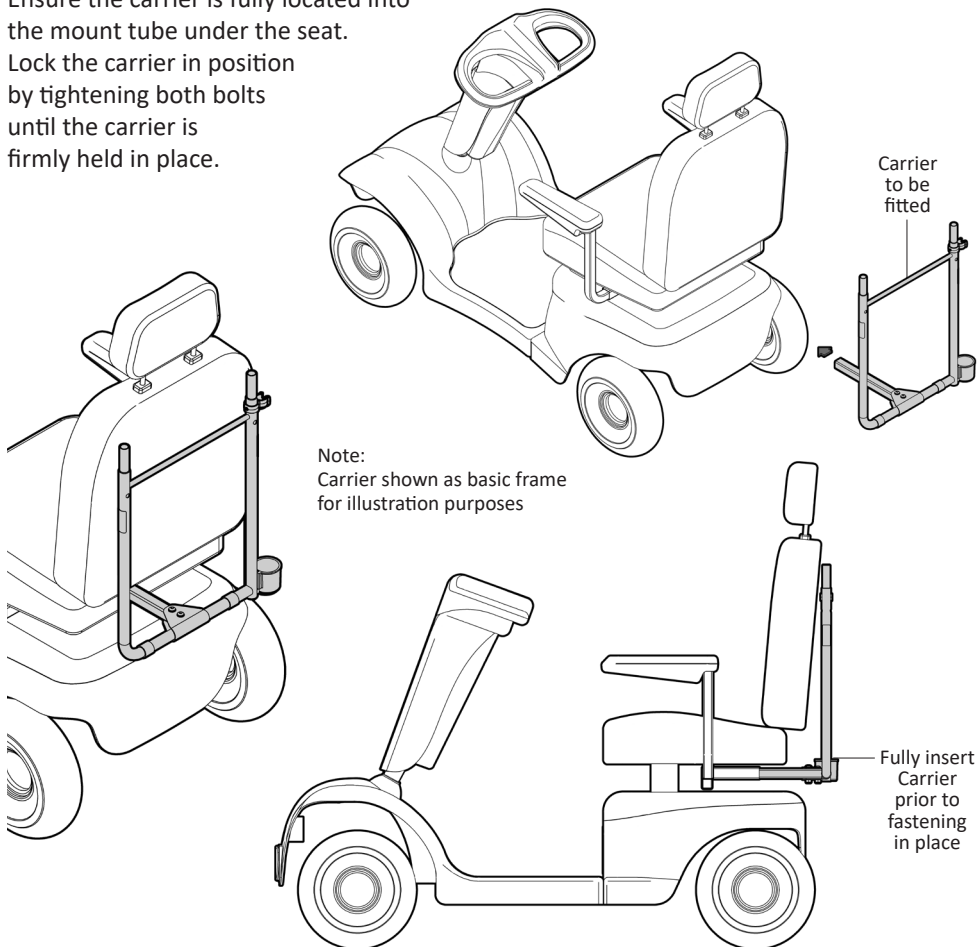
ASSEMBLY- BAG / WALKER CARRIER LOCATION

Before the Hard Canopy can be fitted to a mobility scooter...

SE-BC: Bag + Walking Stick Carrier or SE-WWC: Wheelie Walker Carrier must first be fitted. Assemble the carrier as required and then fit to scooter.

Ensure the carrier is fully located into the mount tube under the seat.

Lock the carrier in position by tightening both bolts until the carrier is firmly held in place.



Ensure BOTH Bolts are to be tightened prior to fitting Hard Canopy

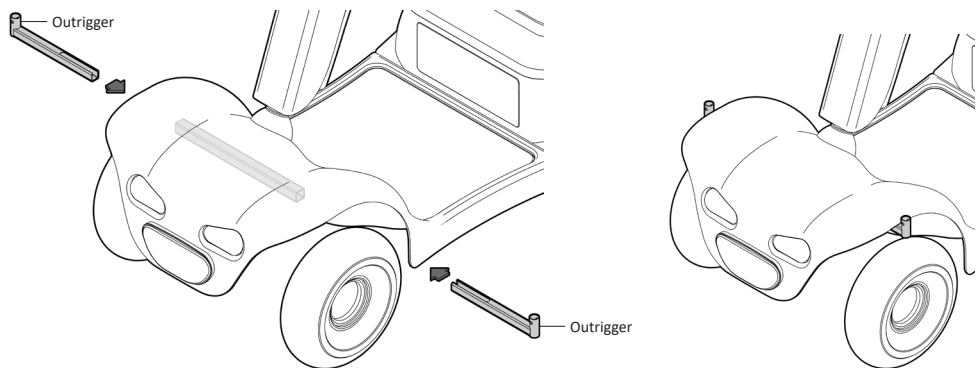
ASSEMBLY- MOUNT KIT LOCATION

Before the Hard Canopy can be fitted to a mobility scooter, a front mount kit needs to be fitted. Please ensure you have been supplied with the correct mount kit for your mobility scooter model:

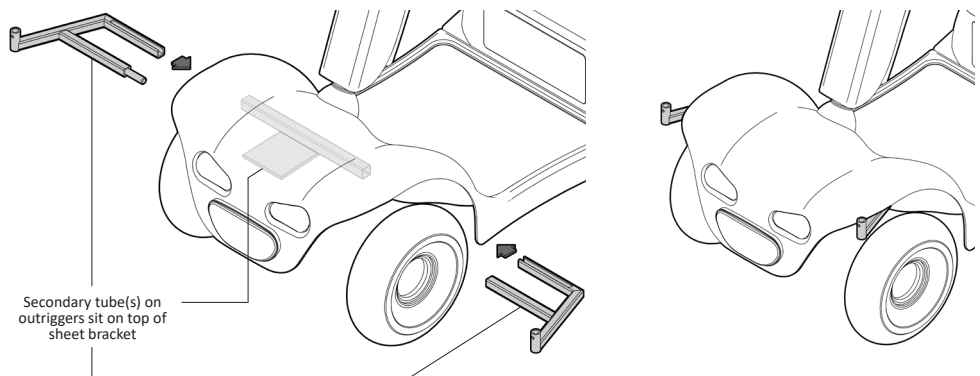
- SHOPRIDER ROCKY 4 (**Mount Kit 1** required)
- SHOPRIDER ROCKY 6 (**Mount Kit 1** required)
- SHOPRIDER ALLROUNDER (**Mount Kit 2** required)
- SHOPRIDER 889SL (**Mount Kit 2** required)

Insert the outrigger into the mount tube located above the front tyres of the scooter and underneath the cover. The uprights on ends of mounts to be positioned just off the cover - ready to accept the front mount tube.

Mount Kit 1



Mount Kit 2

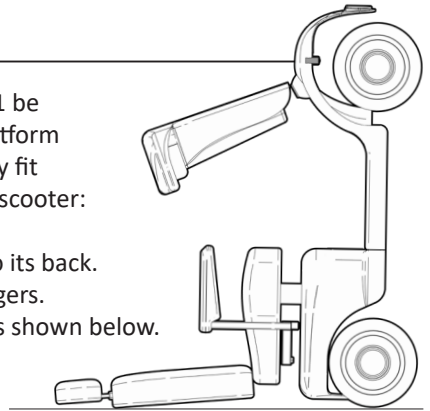


5.

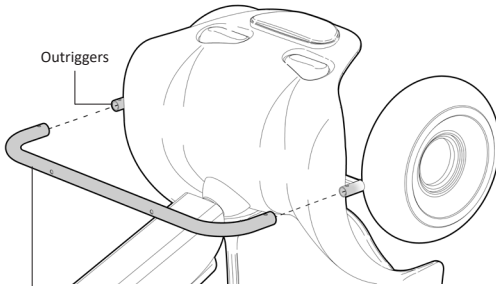
ASSEMBLY- MOUNT KIT 1 FIXING

We recommend that the outriggers on Mount Kit 1 be screwed into place to create a stable mounting platform for the hard canopy. Follow these steps to correctly fit both outriggers to frame underneath the mobility scooter:

1. With the help of others - Gently tip scooter onto its back.
2. Locate the mount kit cross tube onto the outriggers.
3. Using the rule and pen - mark screw positions as shown below.
4. Using a cordless drill with phillips head driver fix 4 x self tapping screws through frame and outriggers.
5. Remove mount kit cross tube.
6. Gently tip scooter back onto its wheels.

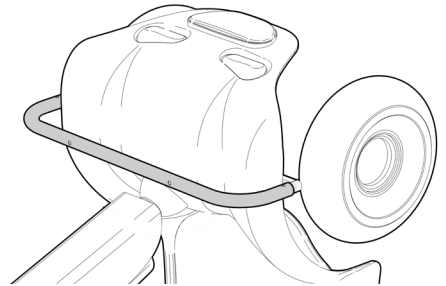


Tip scooter onto its back



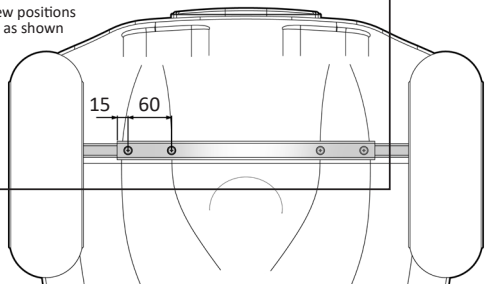
Outriggers

Fit mount kit cross tube onto outriggers



Mark out screw positions prior to fixing as shown

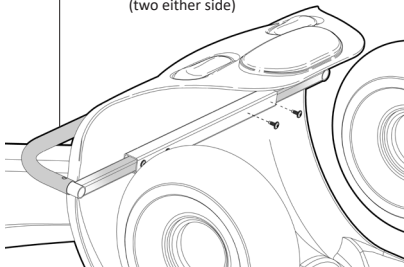
Centre punch screw positions if required



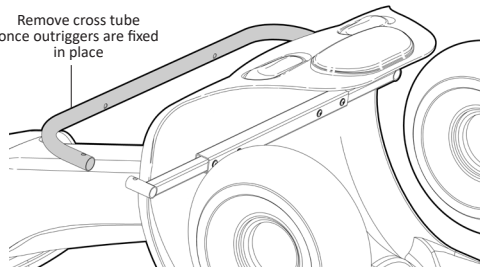
15 60

IMPORTANT NOTE
ENSURE MOUNT KIT CROSS TUBE IS CENTRAL OVER SCOOTER PRIOR TO FIXING OUTRIGGERS TO FRAME

Use 4 x screws to fix outriggers in place (two either side)



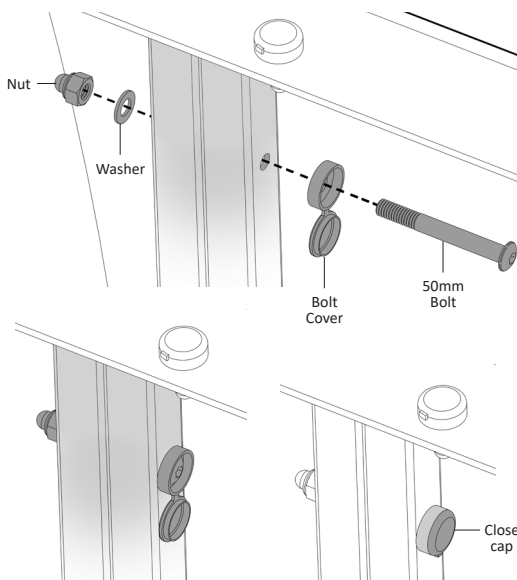
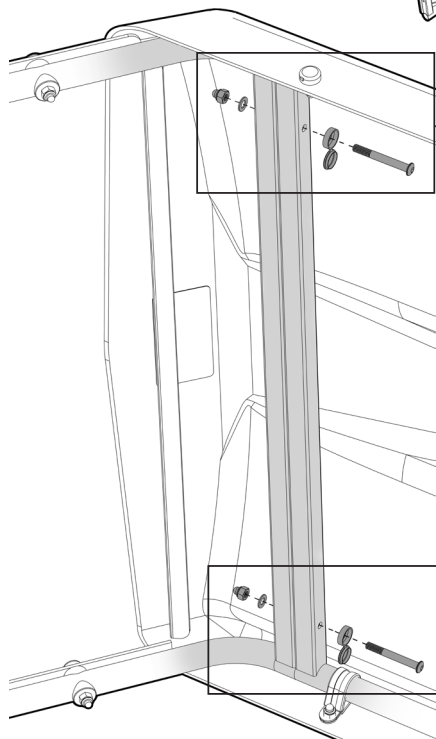
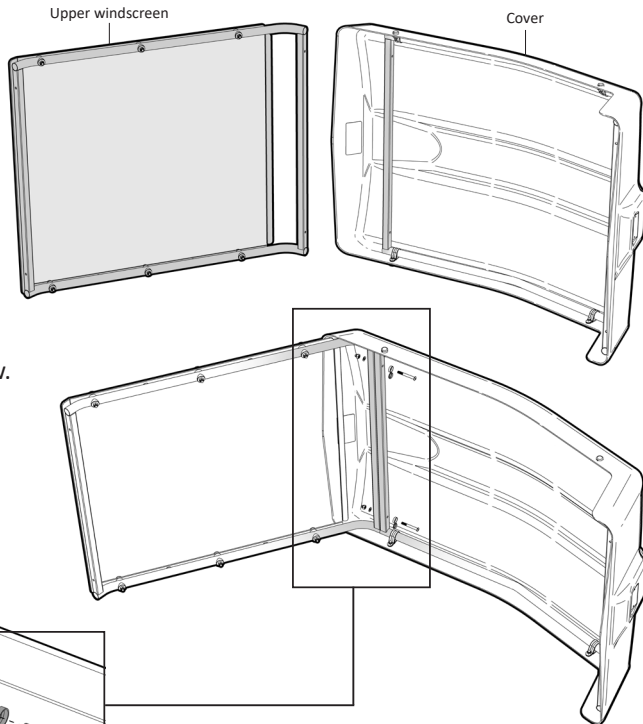
Remove cross tube once outriggers are fixed in place



ASSEMBLY- CANOPY PRE ASSEMBLY (UPPER WINDSCREEN)

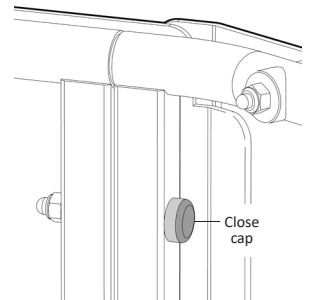
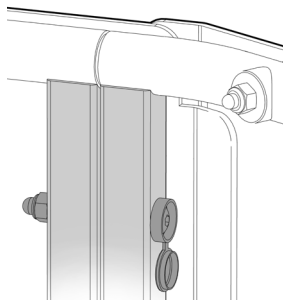
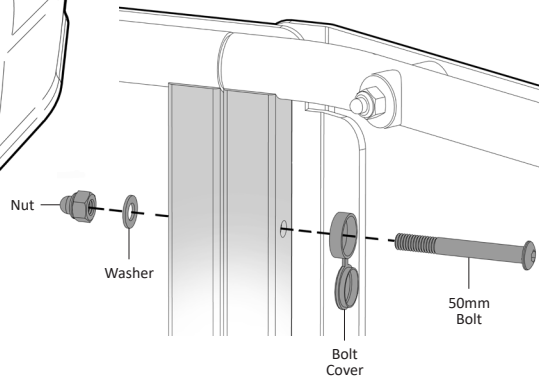
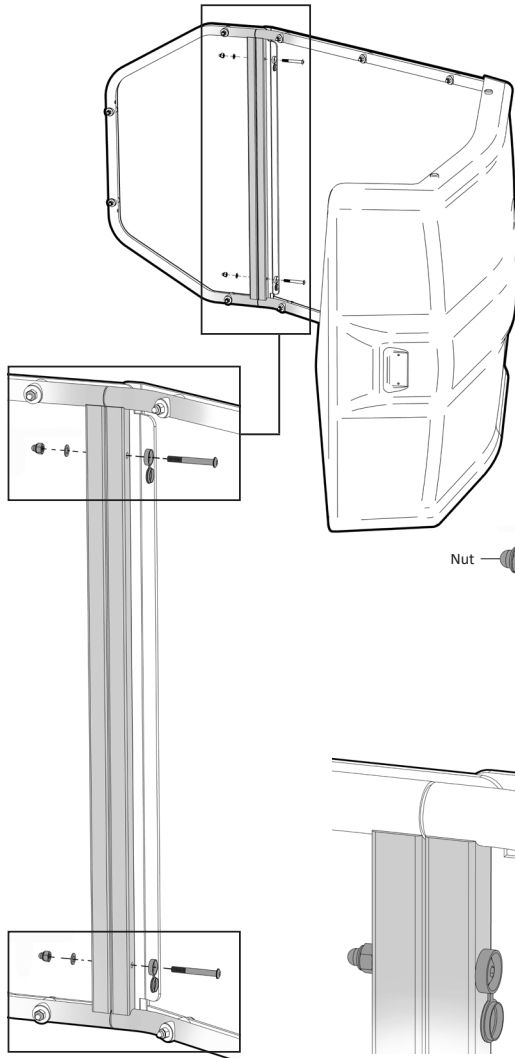
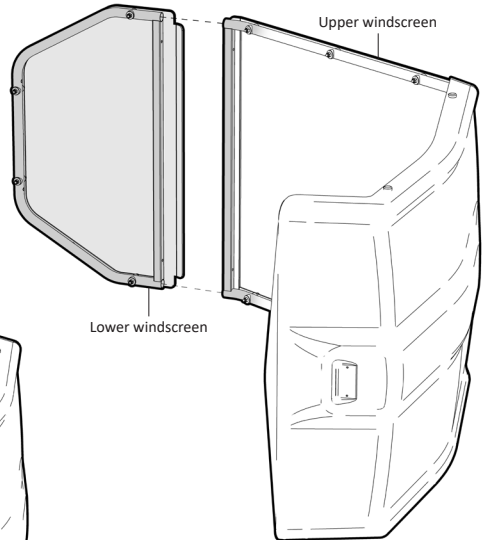
The canopy requires pre assembly prior to fitting onto scooter.

1. With the help of others position cover on side as shown.
2. Align upper windscreen frame with cover frame as shown.
3. Line up holes in frames and fix together as shown below.
4. Using an allen key and spanner, tighten fixings until both frames are firmly held together.
5. Close caps on bolt covers.



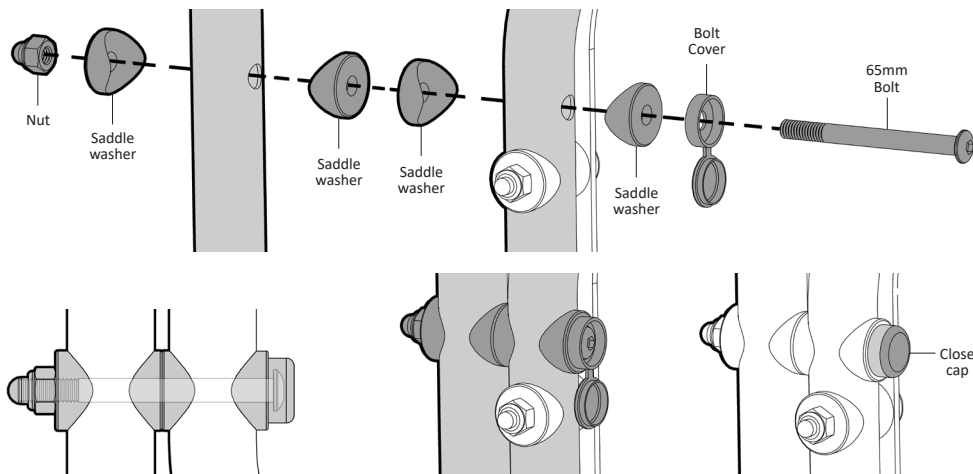
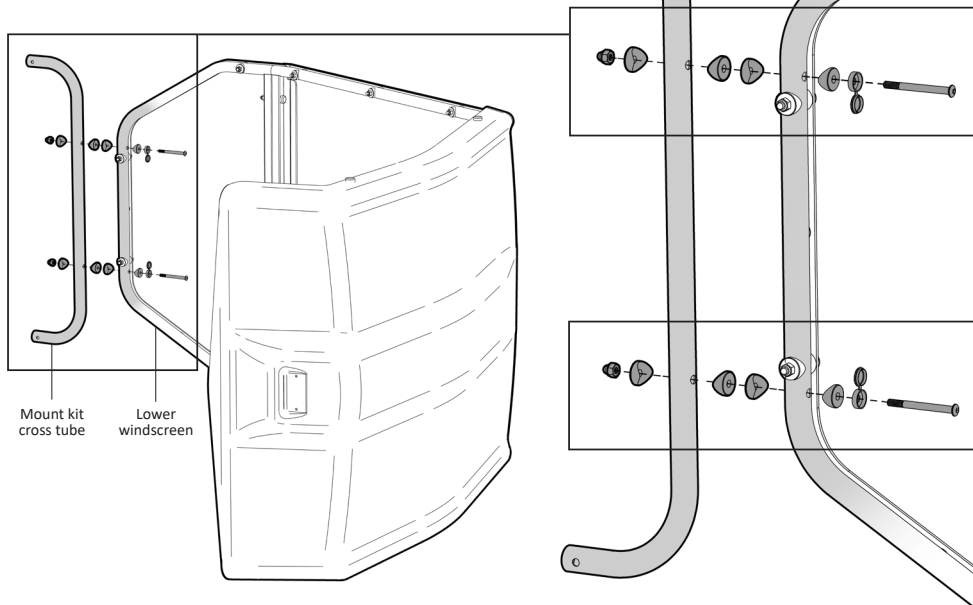
ASSEMBLY - CANOPY PRE ASSEMBLY (LOWER WINDSCREEN)

1. Align lower windscreen frame with upper windscreen frame as shown.
3. Line up holes in frames and fix together as shown below.
4. Using an allen key and spanner, tighten fixings until both frames are firmly held together.
5. Close caps on bolt covers.



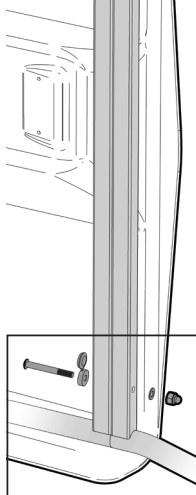
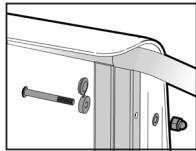
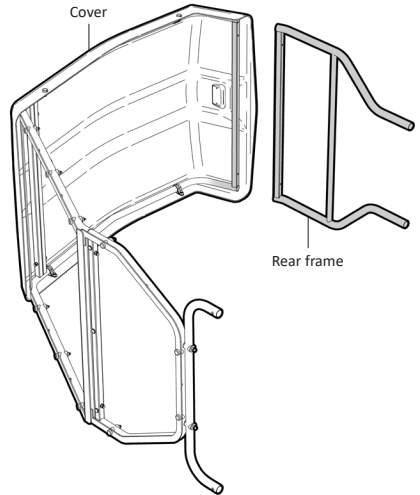
ASSEMBLY - CANOPY PRE ASSEMBLY (MOUNT KIT CROSS TUBE)

1. Align mount kit cross tube with lower windscreen frame as shown.
2. Line up holes in frames and fix together as shown below.
3. Using an allen key and spanner, tighten fixings until both frames are firmly held together.
4. Close caps on bolt covers.

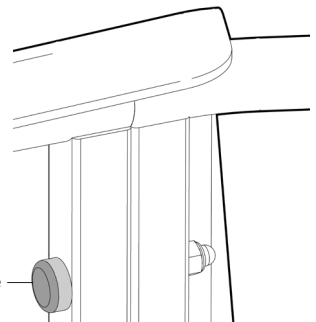
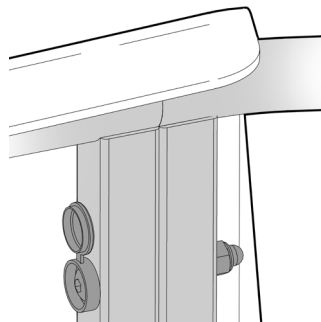
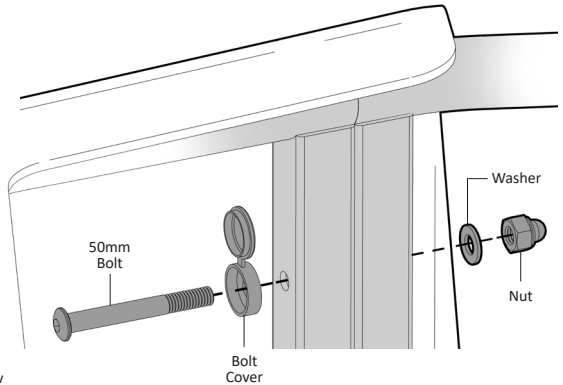


ASSEMBLY- CANOPY PRE ASSEMBLY (REAR FRAME)

1. Align rear frame with cover frame as shown.
2. Line up holes in frames and fix together as shown below.
3. Using an allen key and spanner, tighten fixings until both frames are firmly held together.
4. Close caps on bolt covers.



Views flipped to show bolt and bolt cover

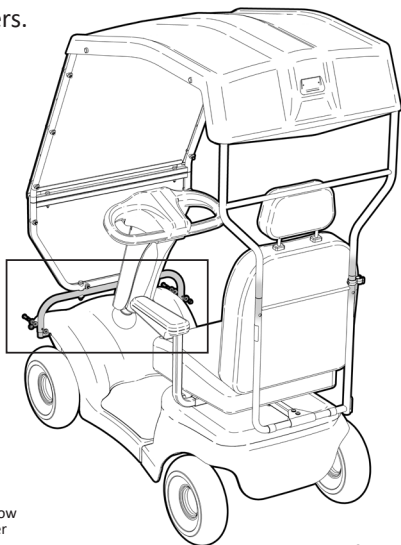
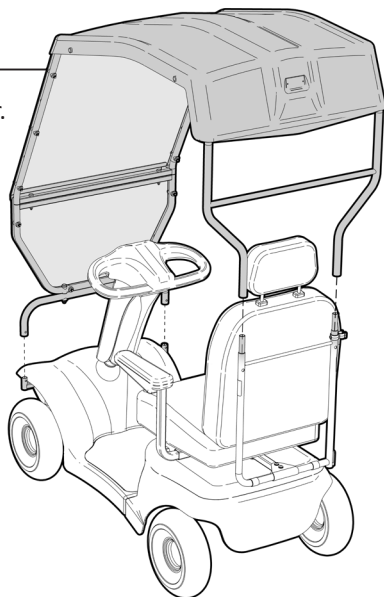


Close cap

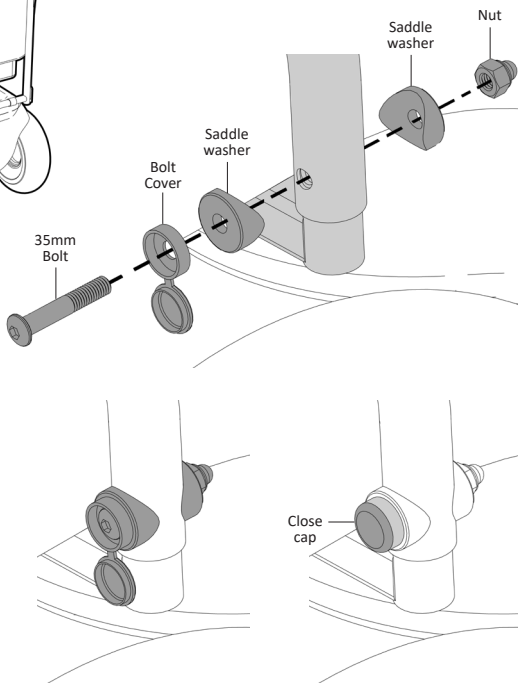
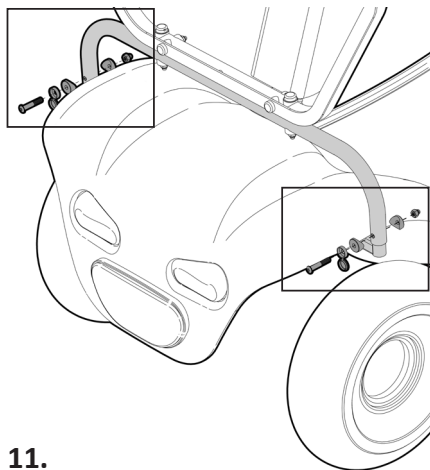
ASSEMBLY- CANOPY ON SCOOTER

The assembled canopy can now be fitted onto scooter.

1. With the help of others fit the assembled canopy onto the outriggers at front and walking frame carrier at rear.
2. Line up holes in frames and fix together as shown below.
3. Using an allen key and spanner, tighten fixings until both frames are firmly held together.
4. Close caps on bolt covers.



Views flipped to show bolt and bolt cover



USAGE GUIDELINES - DO's + DON'TS

Please follow these guidelines to get the optimal benefit from your Hard Canopy.

Failure to follow these guidelines may result in damage to the Hard Canopy, mobility scooter and put the user at risk.

Please ensure all the parts of the hard canopy have been fitted as instructed and all fasteners have been tightened sufficiently.

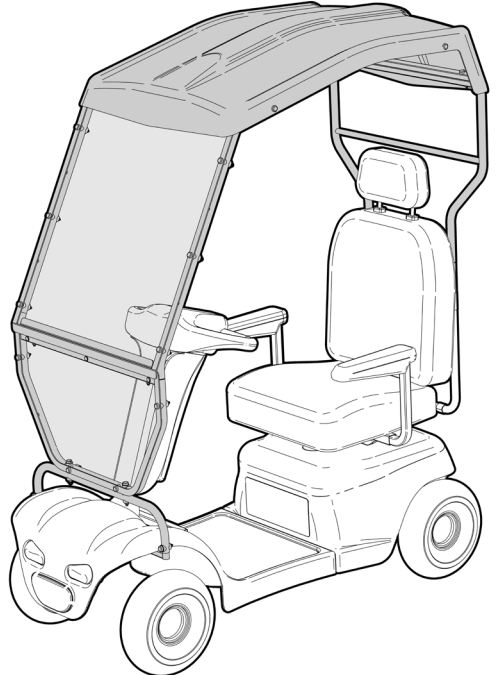
IMPORTANT NOTE !

Using a mobility scooter fitted with a Hard Canopy in STRONG WINDS and adverse weather can seriously compromise your safety and may damage the mobility scooter beyond repair.

Only use your **Hard Canopy** for the purpose for which it is intended, which is as a wind and sun shelter solution.

The Hard Canopy is not designed to be a rain shelter solution as mobility scooters should not be operated in the rain.

The user should not use the Hard Canopy to assist them with getting on and off the mobility scooter. The Hard Canopy has not been designed to be used as an assistive support structure.



PRODUCT CARE - INSPECTIONS / CLEANING

INSPECTIONS

We suggest that you check your Hard Canopy visually periodically for signs of damage or wear prior to use. Overall check that no components are loose or worn.



Withdraw the Hard Canopy immediately if you suspect damage or any other fault. If in any doubt, please do not issue or use, but immediately contact your supplier for service support.

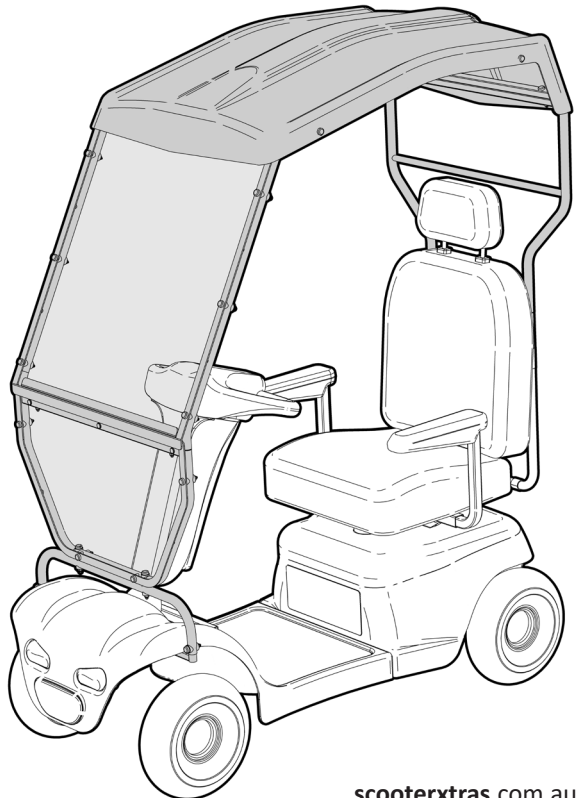
IMPORTANT NOTE

Do not fit any parts or accessories to your Hard Canopy that are manufactured by another company. To do so will void your warranty and may seriously compromise your safety.

CLEANING

Clean the Hard Canopy using a non-abrasive cleaner or mild detergent with a soft cloth.

Abrasive cleaners or abrasive cleaning pads could damage the Hard Canopy and should not be used.



WARRANTY

Your Scooter Xtras **SE-HC: HARD CANOPY** is covered by a **12 Month Warranty** from the date of purchase.

If the product has any manufacturing faults during this period contact the place of purchase for assessment. Failures as a result of **ACCIDENTAL MISUSE, MODIFICATION OR WEAR AND TEAR ARE NOT COVERED BY THIS WARRANTY.**

Our goods come with guarantees that cannot be excluded under the Australian Consumer Law. You are entitled to a replacement part for a major failure and for compensation for any other reasonably foreseeable loss or damage. You are entitled to have the goods repaired or replaced if the goods fail to be of acceptable quality and failure does not amount to major failure.

If you have any issues or questions about your Hard Canopy please contact your supplier or SCOOTER XTRAS direct on:

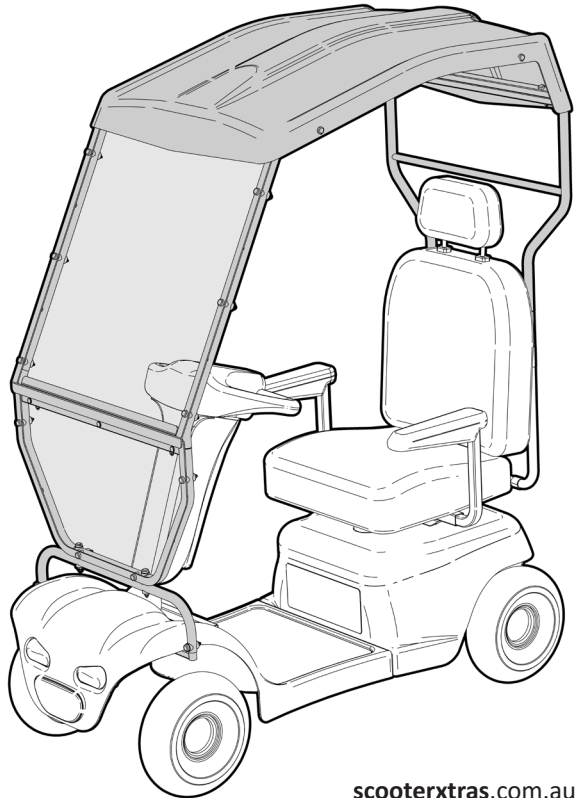
T: +61 8 9248 4180

F: +61 8 9248 9452

E: sales@for-de.com.au

A: 1 Business Way, Malaga
Western Australia 6090

**Please keep this
User Manual
in a safe place
for future reference.**

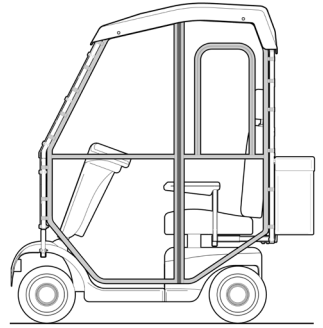


SCOOTER XTRAS - HARD CANOPY SIDE COVERS

Optional clear PVC side and rear covers can be retro fitted to the hard canopy. (Product Code: SE-HCSC)

FEATURES

- Provides excellent shelter from the elements
- Clear PVC panels for good visibility
- Zip access flaps
- Zip up side windows
- Rear cover (can be rolled up)
- Side Covers are easily removable if required

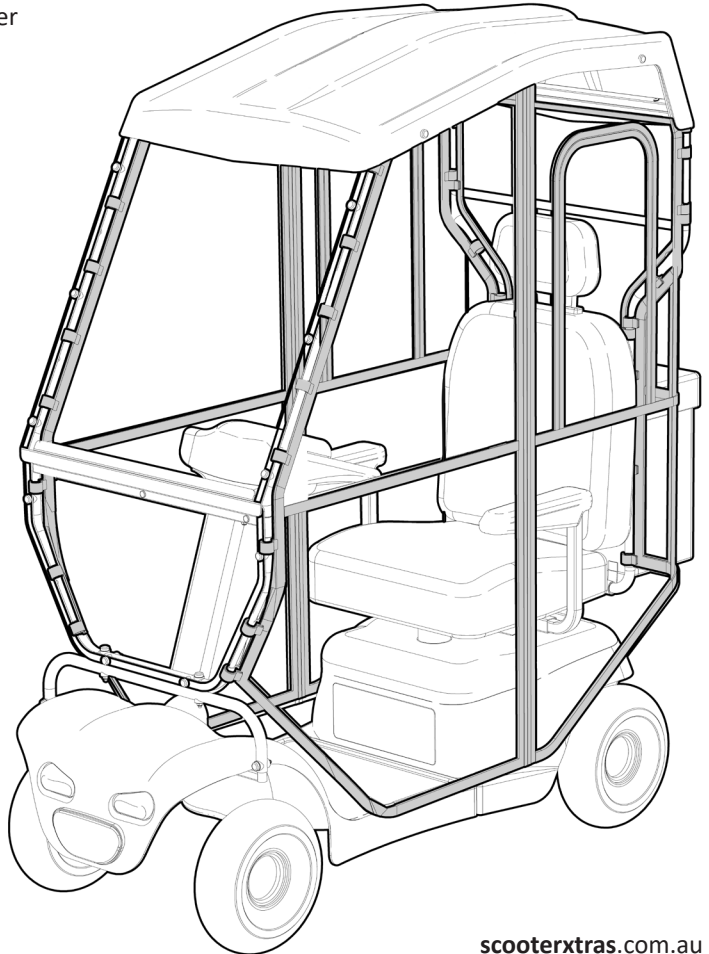


SCOOTER XTRAS also offer various accessories that can be fitted to the hard canopy.

SE-020: Bottle Holder

SE-022: Phone Holder

For more details please contact your supplier or SCOOTER XTRAS.



NOTES

DISTRIBUTOR:

**SCOOTER
XTRAS**



Proudly Australian Owned and Operated