

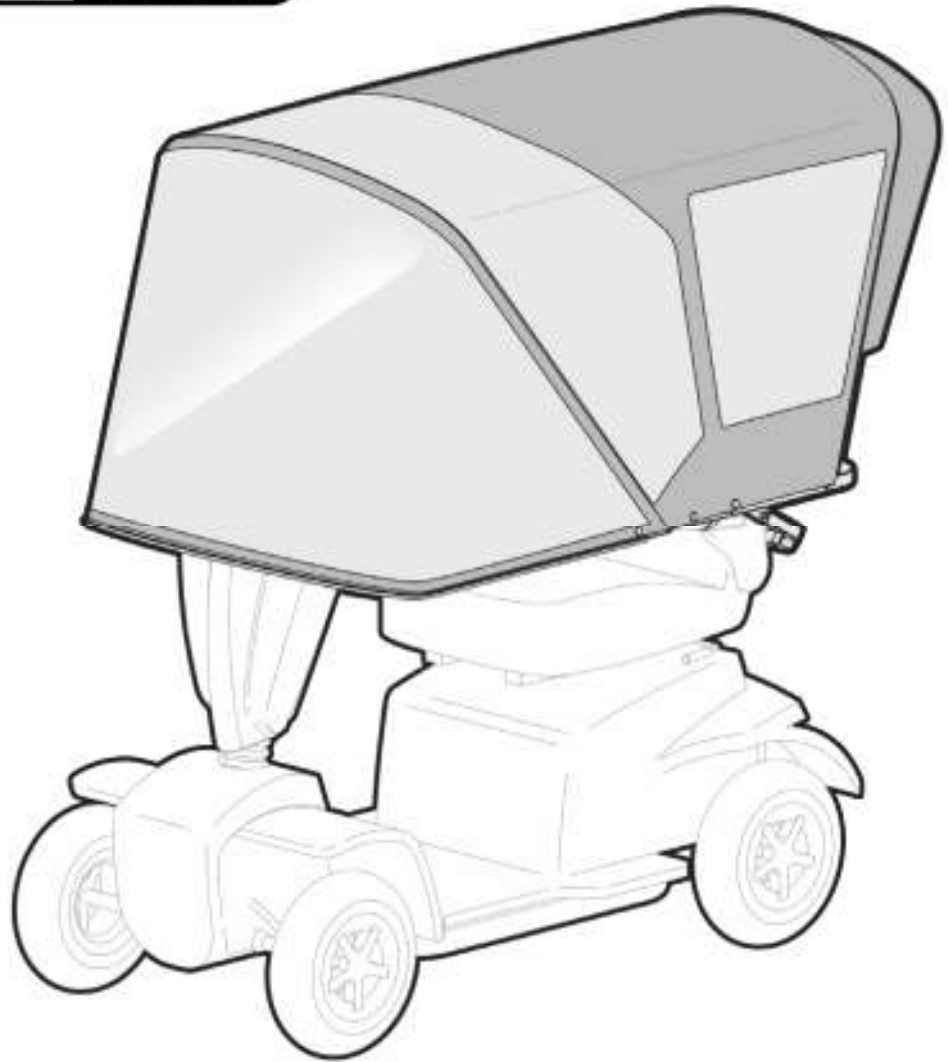
SCOOTER
XTRAS

mevo

FLIP UP CANOPY evolution

SE-MC

Edition 1



USER MANUAL

Please read and keep these instructions

ASK FOR THE BRAND

scooterxtras.com.au

SCOOTER XTRAS

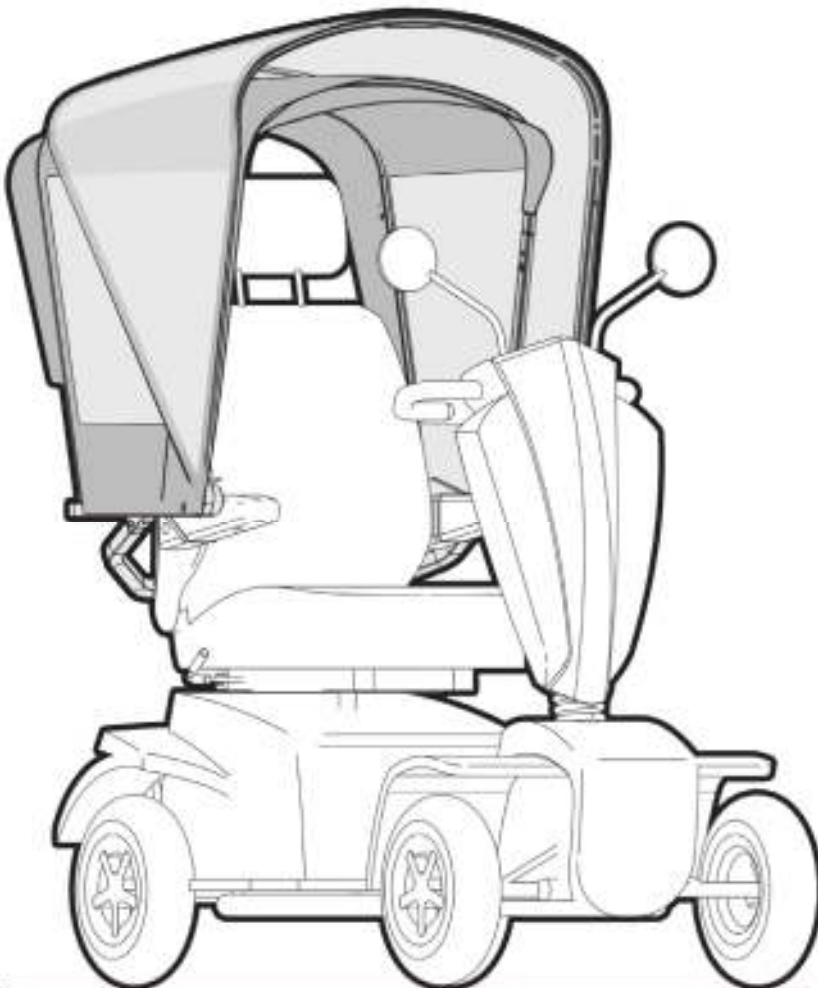
SCOOTER XTRAS owns the copyright to the MOVO Flip Up Canopy user manual. Any information contained in this user manual shall not be photocopied, reproduced or translated into any other languages without the prior written consent of SCOOTER XTRAS.

SCOOTER XTRAS strives to provide the highest quality products possible. Products are subject to change without notice.

© Copyright **SCOOTER XTRAS**

FOR-DE
GROUP PTY LTD

SCOOTER XTRAS is part of **FOR-DE Group Pty Ltd**



ASK FOR THE BRAND

scooterxtras.com.au

CONTENTS

1. **INTRODUCTION** - INTENDED USE
2. **PRODUCT OVERVIEW** - FEATURES / SPECIFICATIONS
3. **ASSEMBLY** - UNPACK and INSPECT SUPPLIED PARTS
4. **ASSEMBLY** - UNPACK and INSPECT SUPPLIED PARTS
5. **ASSEMBLY** - SCOOTER SET UP
6. **ASSEMBLY** - FIT OUTRIGGER
7. **ASSEMBLY** - FIT LOWER UPRIGHT
8. **ASSEMBLY** - FIT MAIN FRAME
9. **ASSEMBLY** - FIT MAIN FRAME (continued)
10. **ASSEMBLY** - FIT SEAT BRACE TO UPPER UPRIGHT
11. **ASSEMBLY** - FIT UPPER UPRIGHT
12. **ASSEMBLY** - FIT UPPER UPRIGHT (continued)
13. **ASSEMBLY** - FIT STRAPS
14. **ASSEMBLY** - FIT ARCH 1
15. **ASSEMBLY** - FIT ARCH 4
16. **ASSEMBLY** - FIT ARCH 2
17. **ASSEMBLY** - FIT ARCH 3
18. **ASSEMBLY** - FIT COVER
19. **ASSEMBLY** - FIT COVER (continued)
20. **USAGE GUIDELINES** - OPERATION
21. **USAGE GUIDELINES** - SAFETY PRECAUTIONS
22. **PRODUCT CARE** - INSPECTIONS / CLEANING
23. **WARRANTY**
24. **SCOOTER XTRAS** - PRODUCT RANGE

INTRODUCTION

Thank you for purchasing this SCOOTER XTRAS product.

If you have any issues or questions about the MOVO Flip Up Canopy please contact your supplier or SCOOTER XTRAS direct:

T: **+61 8 9248 4180**

E: **orders@for-de.com.au**

A: **1 Business Way, Malaga, Western Australia 6090**

INTENDED USE

This product has limitations and should be used in accordance to these guidelines. Failure to follow these guidelines may result in damage to the product and injury to the user. It is the responsibility of the user to ensure the suitability of this product for its intended use. The user should consult their appropriate healthcare professional if unsure of the correct product usage for their unique circumstances.

Only use your MOVO Flip Up Canopy for its intended purpose which is as a retractable weather shelter for a mobility scooter.

IMPORTANT NOTE:

Do not use the MOVO canopy in the following conditions:

- Strong winds (over 25 knots)
- Hail
- Heavy snow
- Heavy rain (Most mobility scooters should not be used in the rain)

Remove the canopy from the scooter when being transported by car / trailer.

IMPORTANT NOTE

This equipment **MUST** be assembled by a competent person.

1.

PRODUCT OVERVIEW

FEATURES

Shelter from the elements

Windshield and sun visor

Retractable canopy

Lightweight

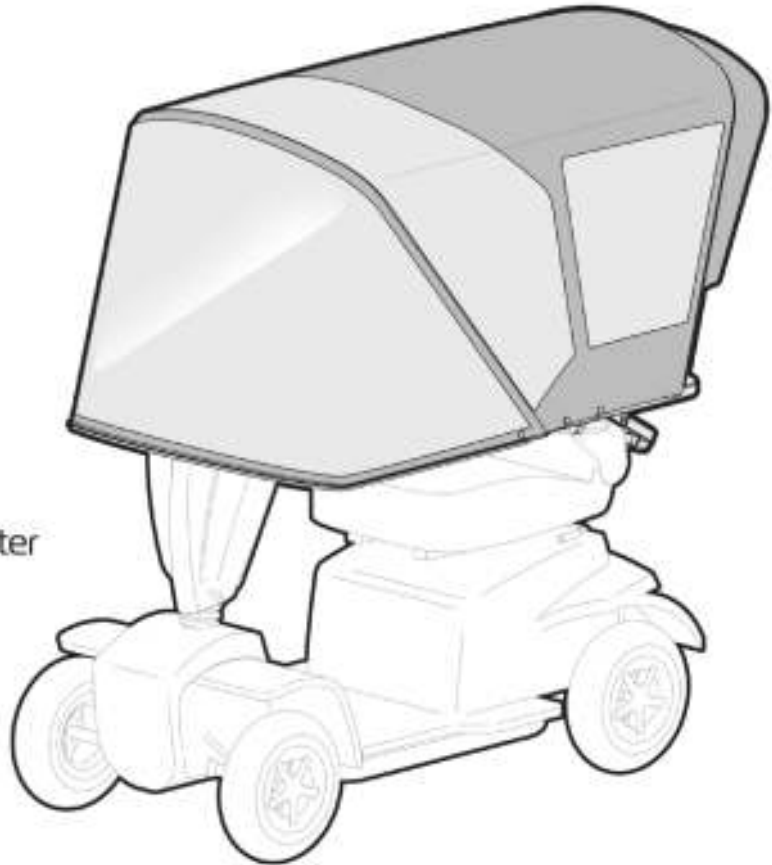
Other accessories can be fitted behind the canopy (extra mount socket)

Easy to fit and remove from scooter

Flat pack design
(15min assembly)

Mobility scooter must have the following in order to be able to fit a MOVO canopy:

- Socket under the seat that can accept a 25 x 25mm square tube.
- Overall armrest width on scooter must be less than 630mm.
- Distance from bottom of socket to top of backrest (not including headrest) must be more than 600mm.



SPECIFICATIONS (All dimensions shown are nominal)

Length: **1500mm**

Folded up Length: **870mm**

Width: **750mm**

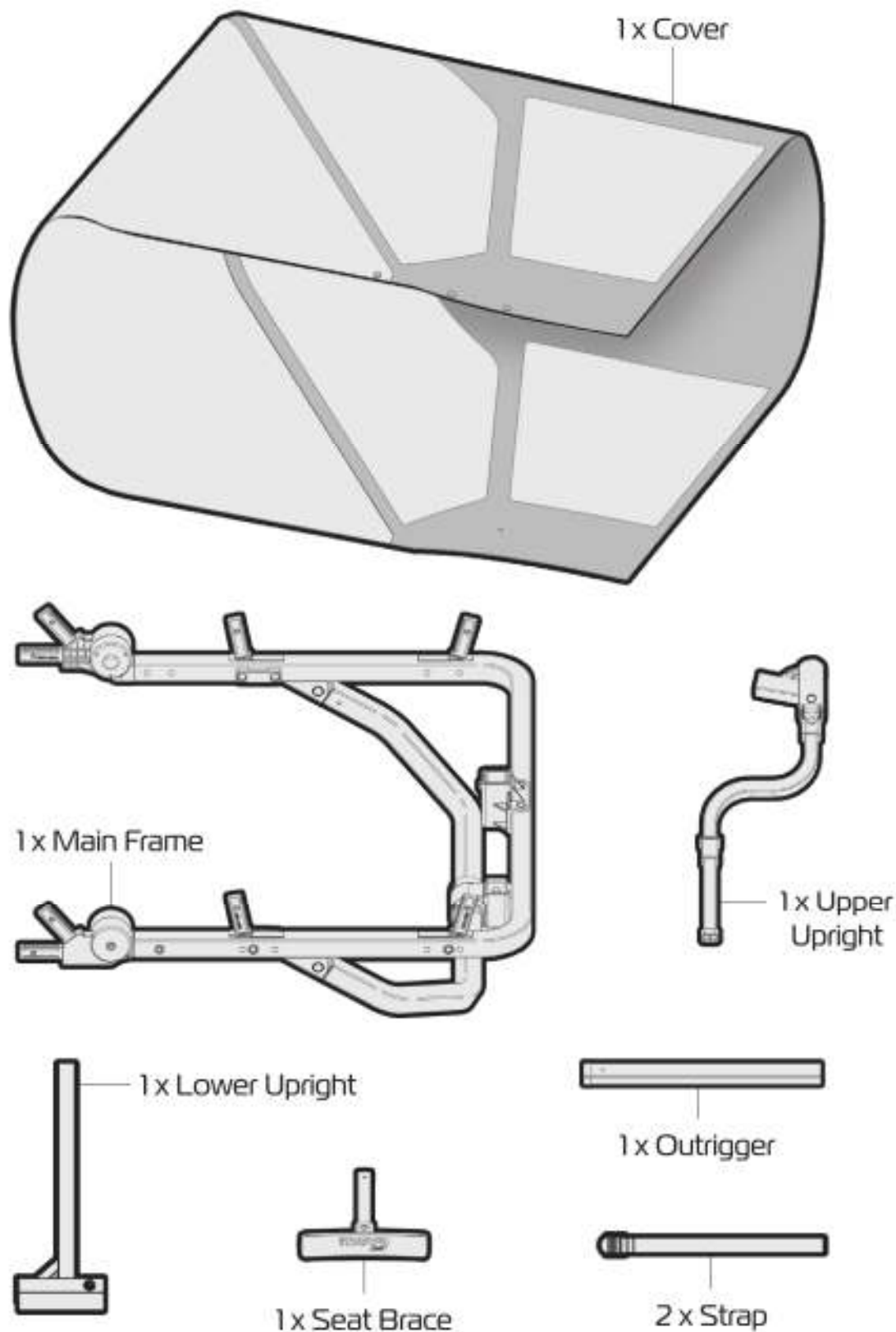
Height: **800mm** (main frame)

Product Weight: **8kg**

Please contact SCOOTER XTRAS if you would like any further information on the MOVO Flip Up Canopy.

ASSEMBLY - UNPACK and INSPECT SUPPLIED PARTS

Ensure you have been supplied with the following parts:

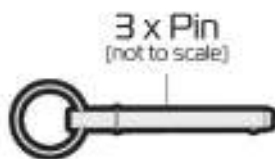
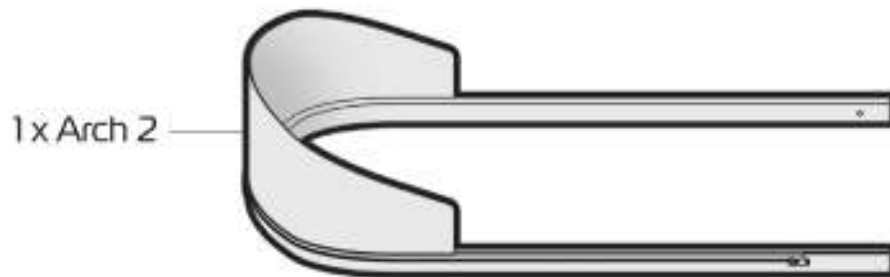
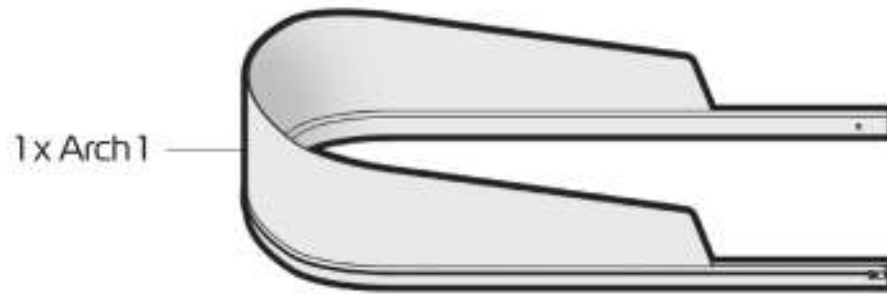


3.

ASK FOR THE BRAND

scooterextras.com.au

ASSEMBLY - UNPACK and INSPECT SUPPLIED PARTS

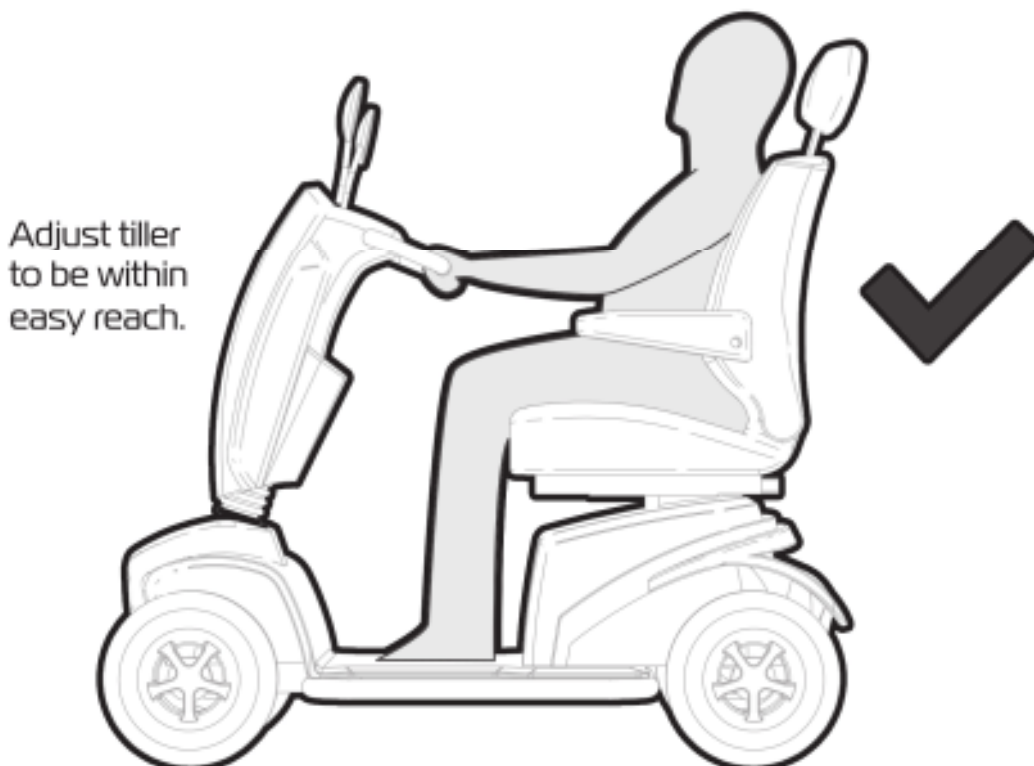
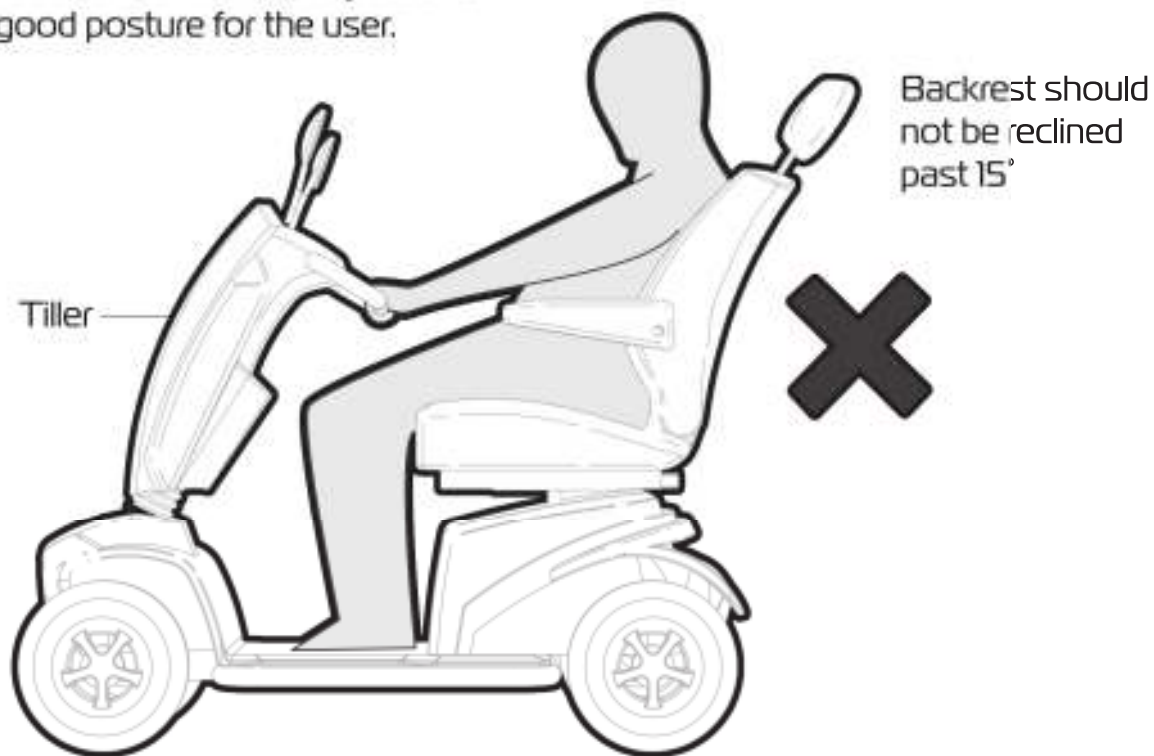


Please take care when unpacking the product and removing the protective packing materials. If you see any damage or suspect a fault, **DO NOT USE THE PRODUCT** and contact your supplier for support.

ASSEMBLY - SCOOTER SET UP

Prior to fitting the MOVO Flip Up Canopy to the mobility scooter:

Ensure the seat and tiller are adjusted to support good posture for the user.



5.

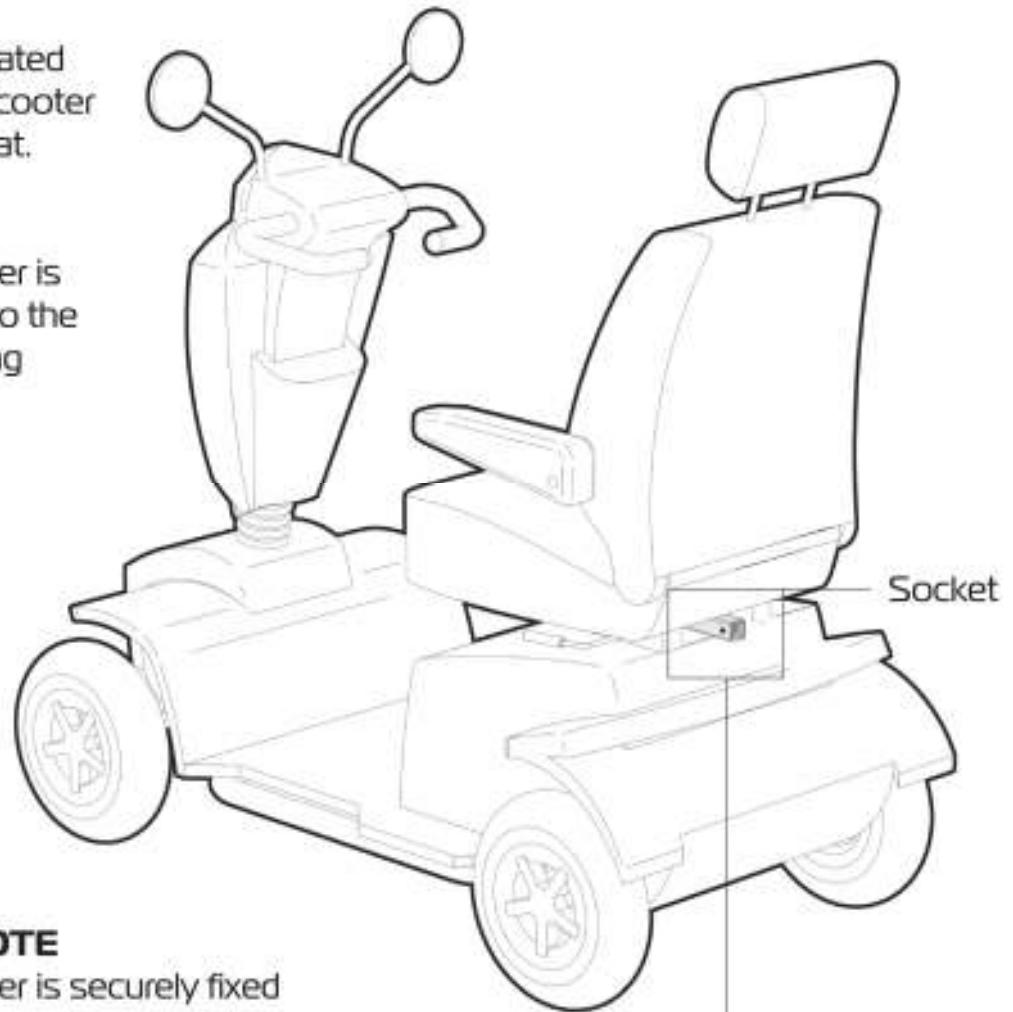
ASK FOR THE BRAND

scooterxtras.com.au

ASSEMBLY - FIT OUTRIGGER

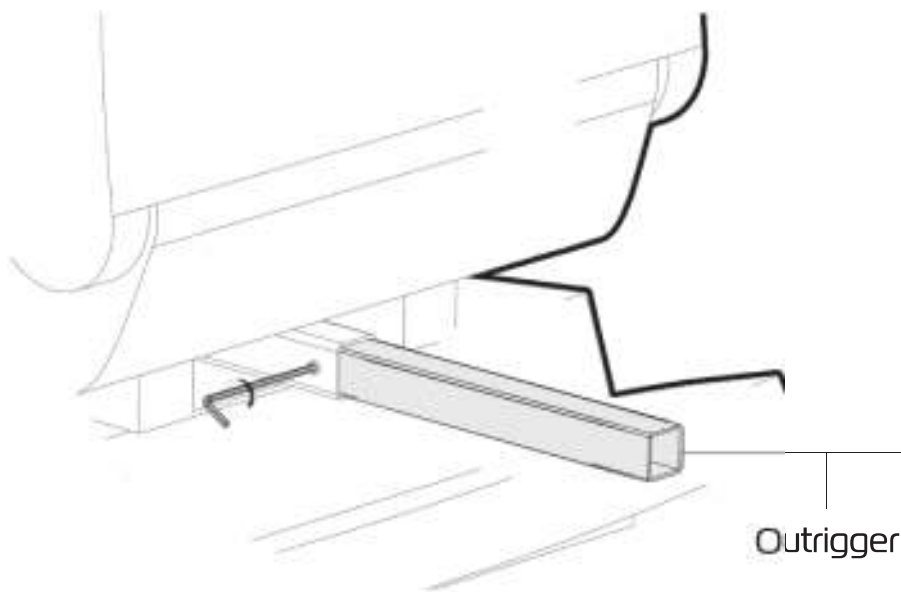
Slide the outrigger into the socket located at the rear of the scooter underneath the seat.

Ensure the outrigger is FULLY inserted into the socket prior to fixing in place.



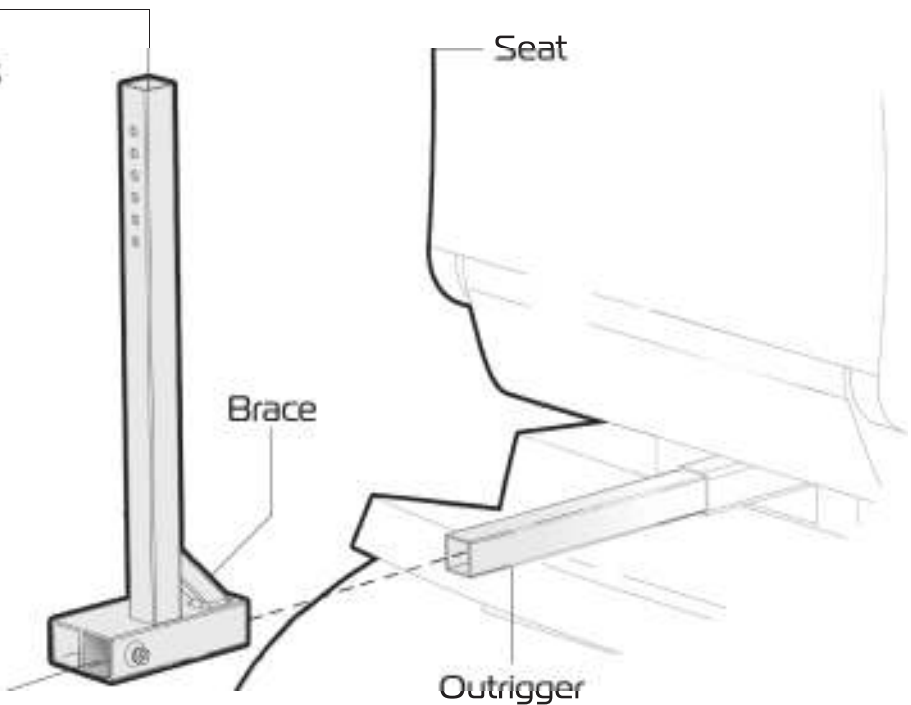
IMPORTANT NOTE

Ensure the outrigger is securely fixed in place before proceeding to next step.



ASSEMBLY - FIT LOWER UPRIGHT

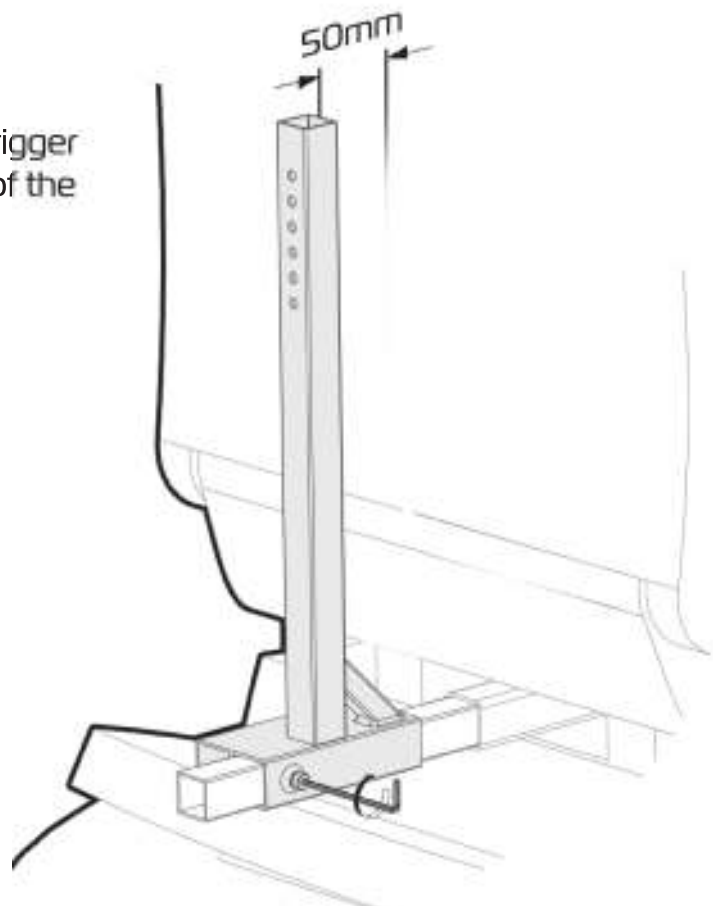
Align the lower upright with the outrigger with the brace facing towards the seat.



Slide the tube underneath the vertical tube onto the outrigger.

Position the lower upright on the outrigger so it is approx. 50mm from the back of the seat.

Using the supplied allen key fix the lower upright into place.



IMPORTANT NOTE

Ensure the lower upright is securely fixed in place before proceeding to next step.

7.

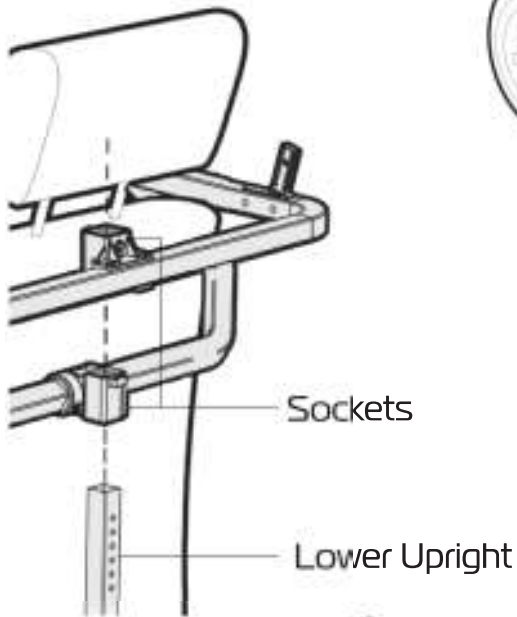
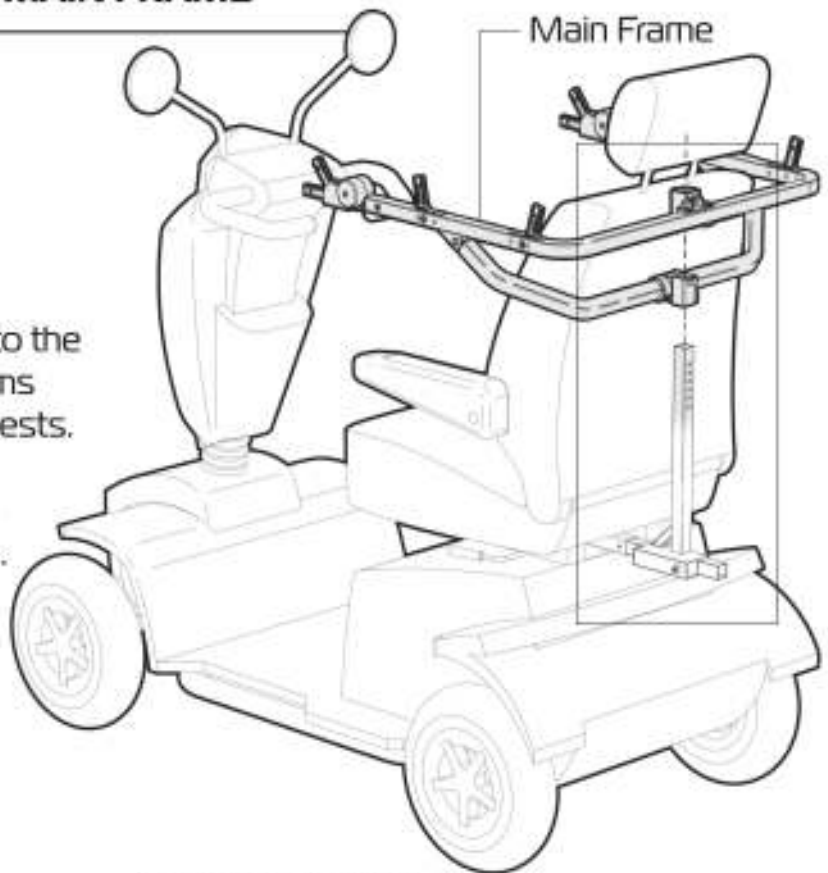
ASSEMBLY - FIT MAIN FRAME

Position the main frame around the seat as shown.

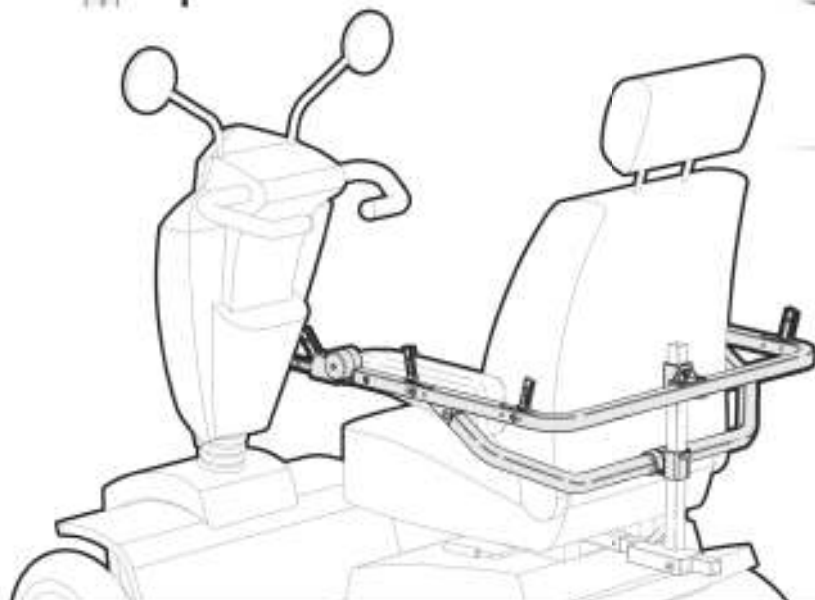
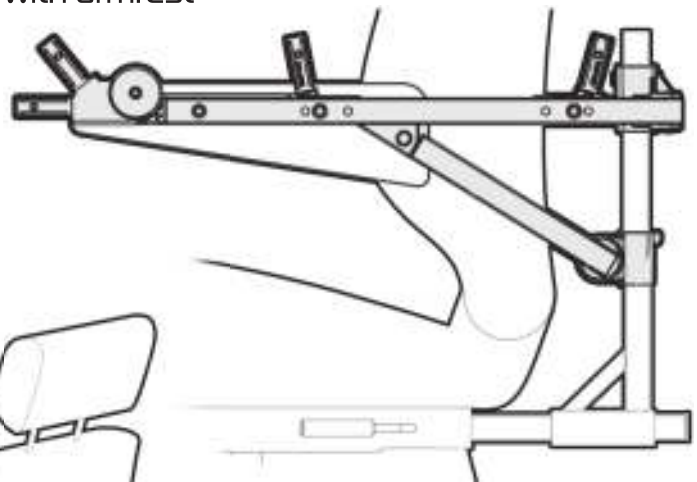
Align the sockets on the main frame with the lower upright.

Slide the main frame down onto the upright until the main frame arms line up with the top of the armrests.

The main frame arms must sit on the outside of the armrests.



Line up main frame with armrest



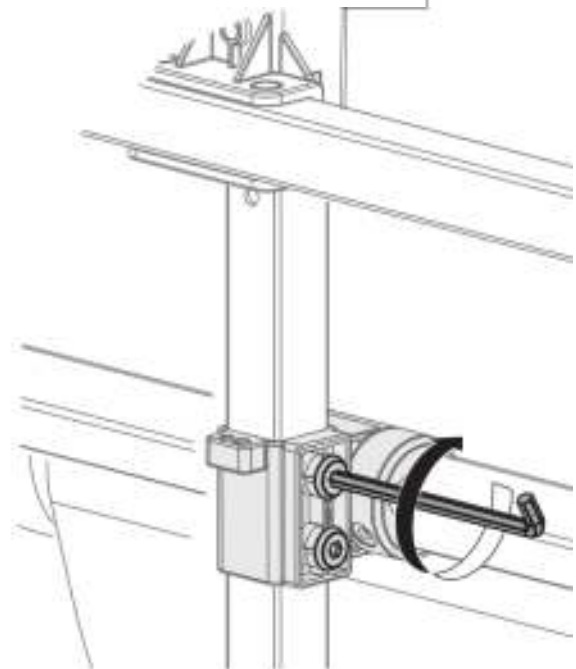
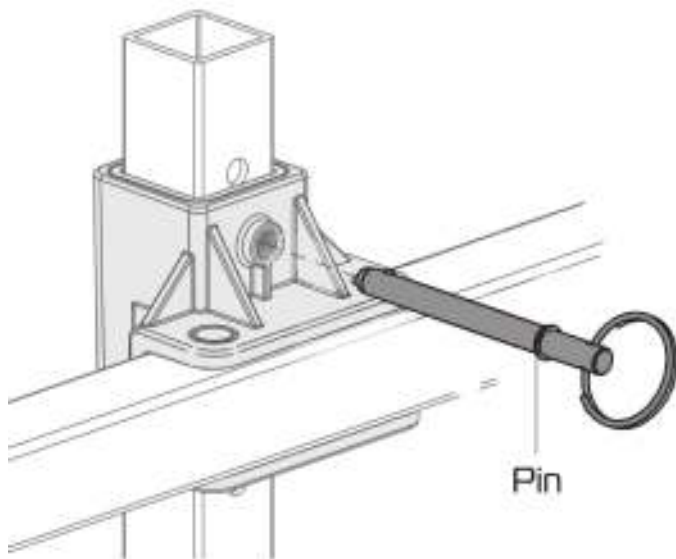
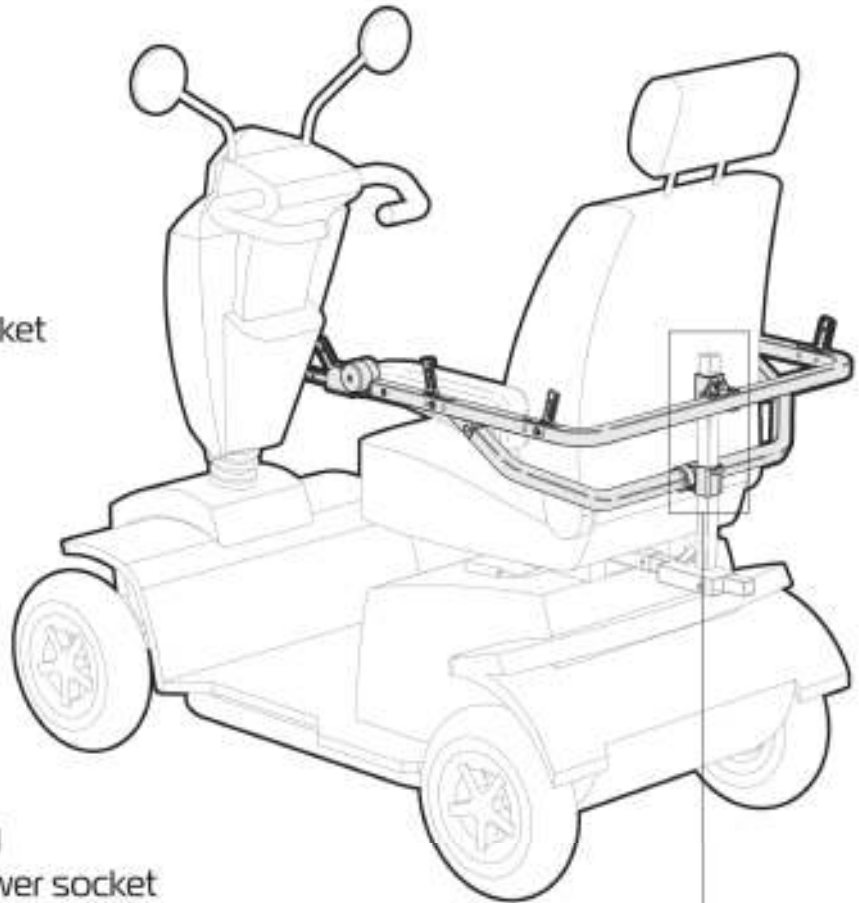
Refer to next page for further instruction on fitting main frame.

ASSEMBLY - FIT MAIN FRAME (continued)

Align the hole in the top socket with the closest hole in the lower upright tube.

Insert the pin to hold the main frame in place.

Using the allen key provided tighten both bolts on the lower socket to fix the main frame in place. Remove the pin.



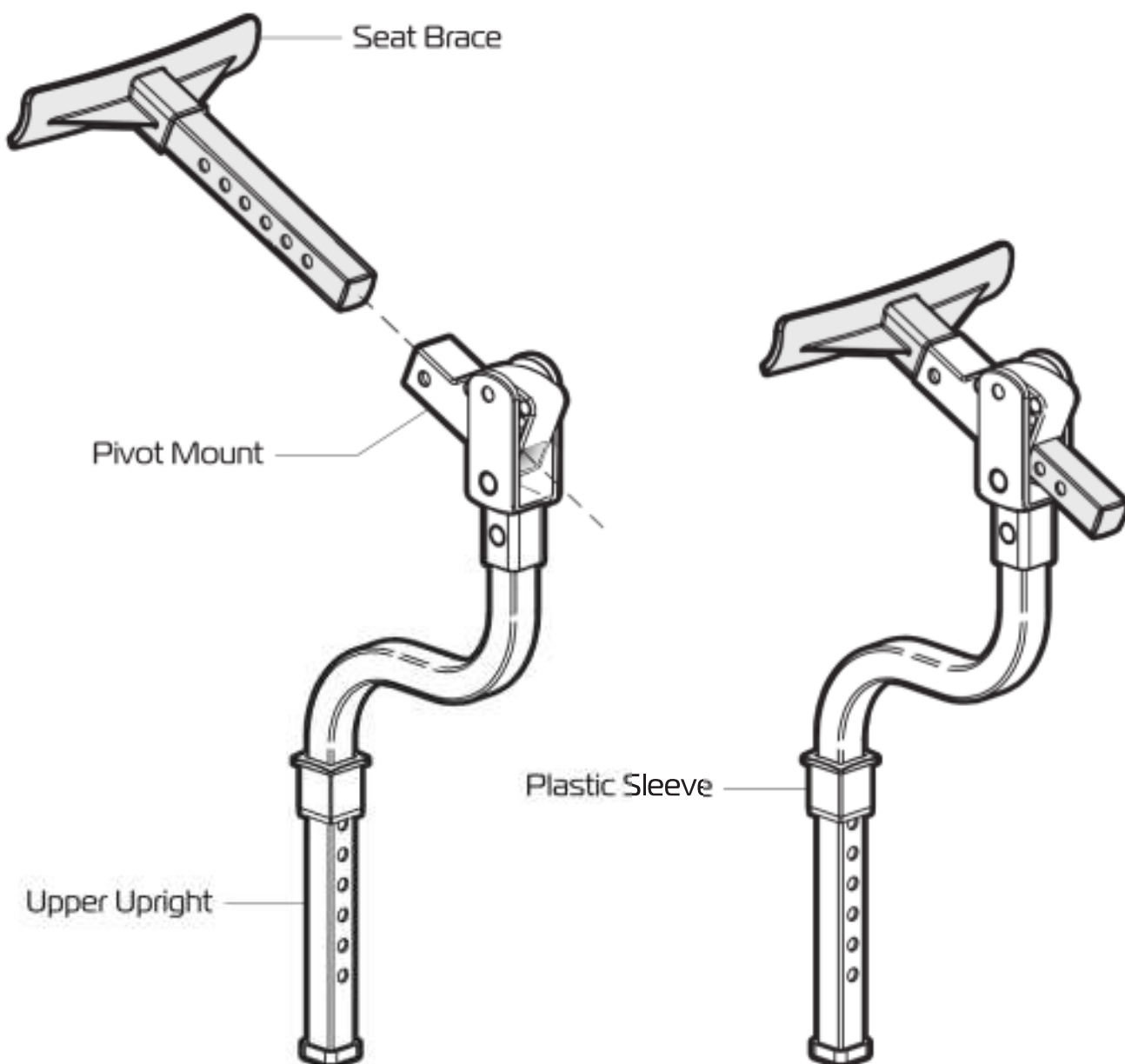
IMPORTANT NOTE

9. Ensure the main frame is securely fixed in place before proceeding to next step.

ASSEMBLY - FIT SEAT BRACE TO UPPER UPRIGHT

Align the seat brace with the upper upright as shown.

Slide the seat brace all the way down into the pivot mount on the top of the upper upright.



ASSEMBLY - FIT UPPER UPRIGHT

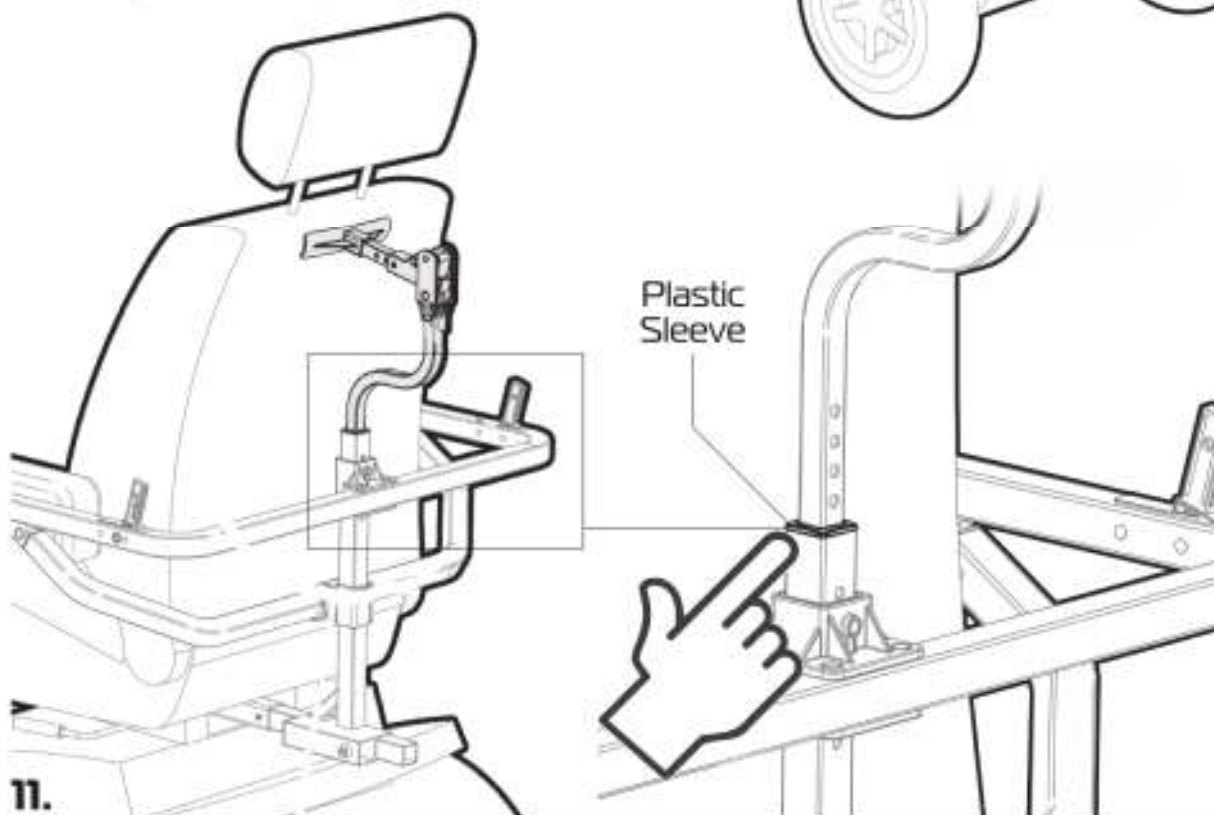
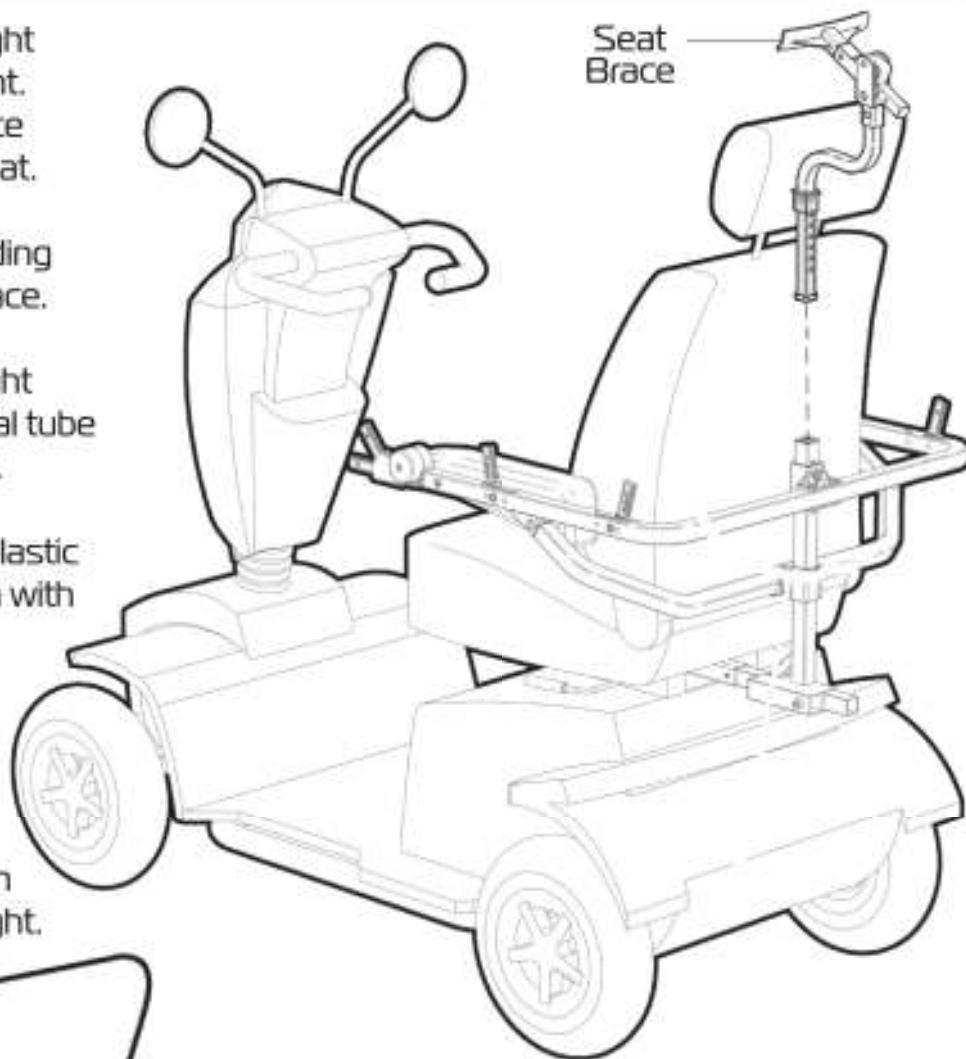
Align the upper upright with the lower upright. Ensure the seat brace facing toward the seat.

Remove the pin holding the main frame in place.

Slide the upper upright down into the vertical tube on the lower upright.

Push down on the plastic sleeve until it is flush with the end of the tube.

Refer to next page for further instruction on fitting upper upright.



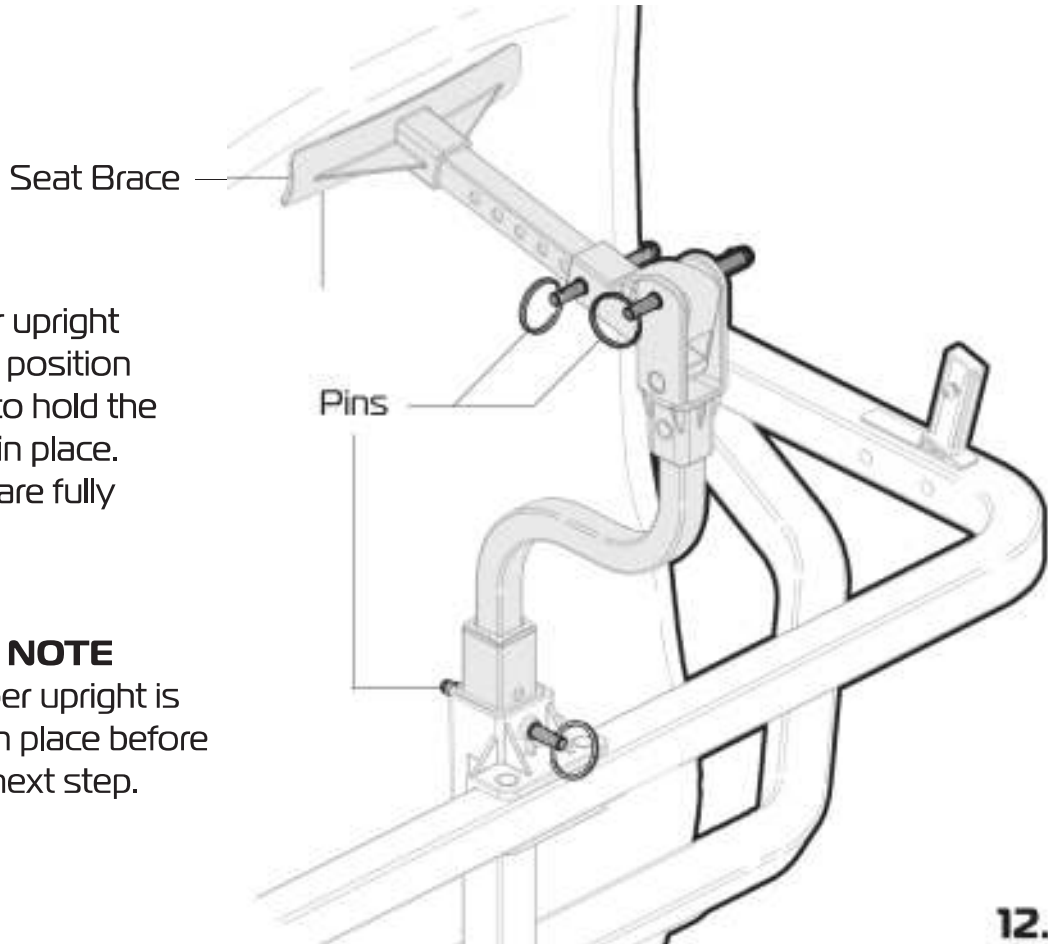
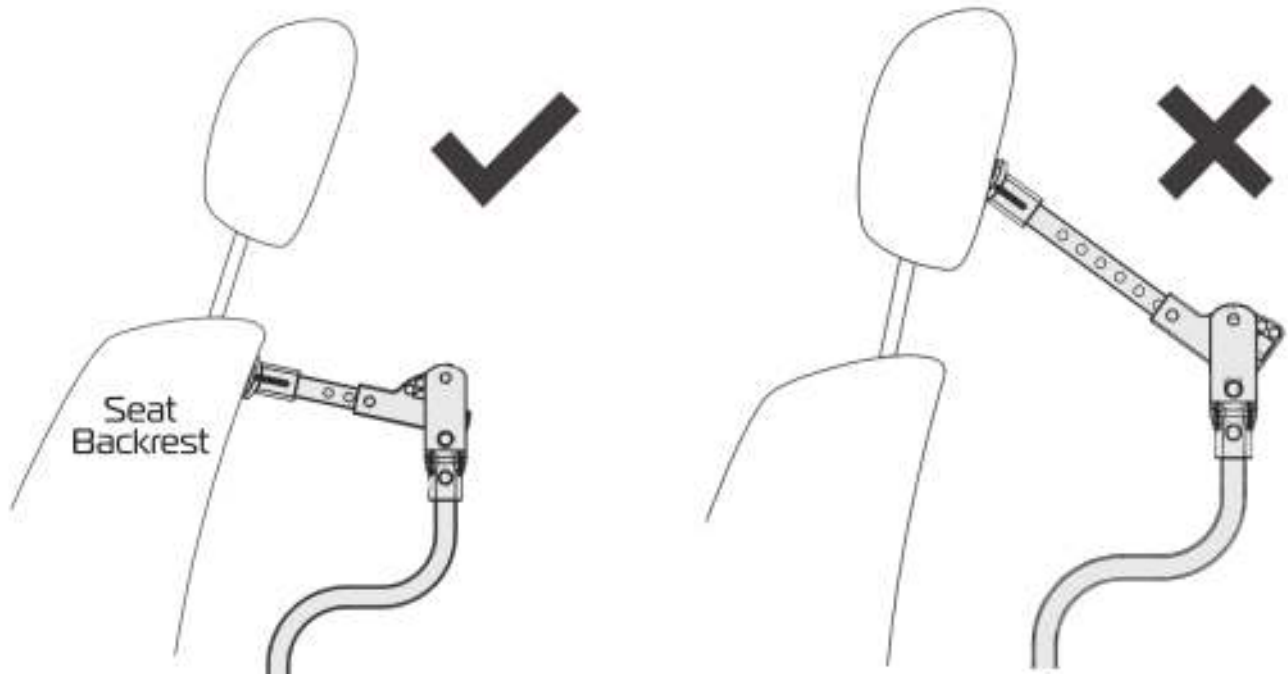
11.

ASK FOR THE BRAND

scooterextras.com.au

ASSEMBLY - FIT UPPER UPRIGHT (continued)

Adjust the upper upright so the seat brace is pushing against the top of the seat as shown.



Once the upper upright is in the correct position use the 3 pins to hold the upper uprights in place. Ensure all pins are fully inserted.

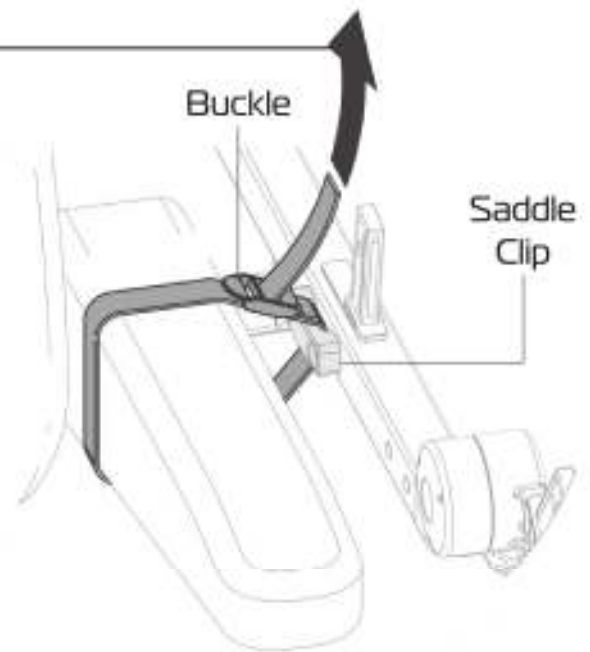
IMPORTANT NOTE

Ensure the upper upright is securely fixed in place before proceeding to next step.

ASSEMBLY - FIT STRAPS

To assist with the stability of the canopy when - the main frame arms need to be strapped to the armrests.

Feed the strap through the saddle clip on the side of the main frame arm and around the armrest



Loop the strap through the strap buckle.

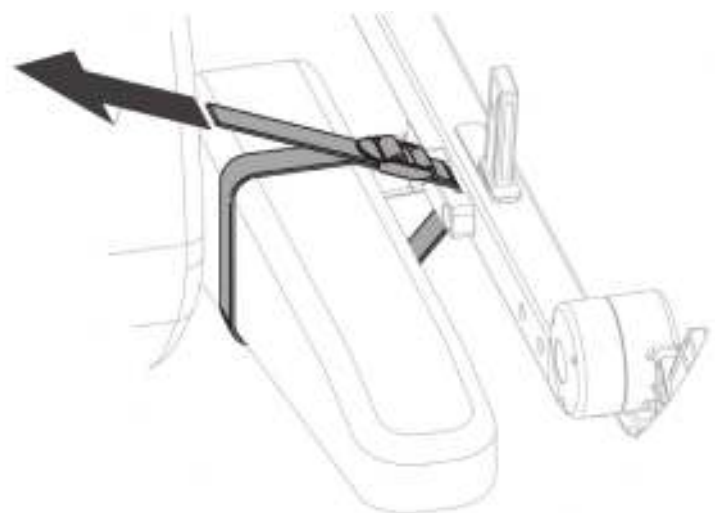
Apply tension to the strap so it is taught but not too much to make the main frame pull in.

Repeat the process to fit the strap to the other side.



IMPORTANT NOTE

Ensure both straps are securely fitted in place before proceeding to next step.



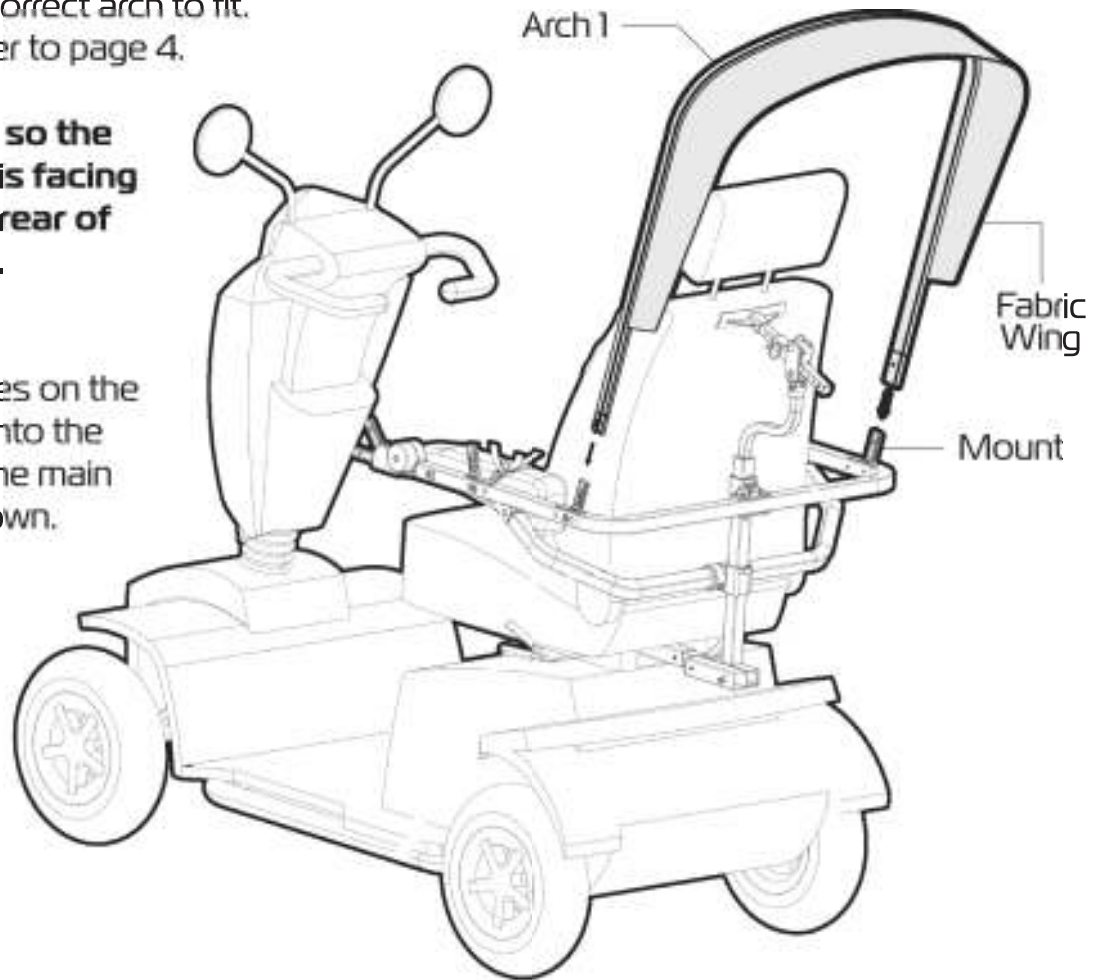
13.

ASSEMBLY - FIT ARCH 1

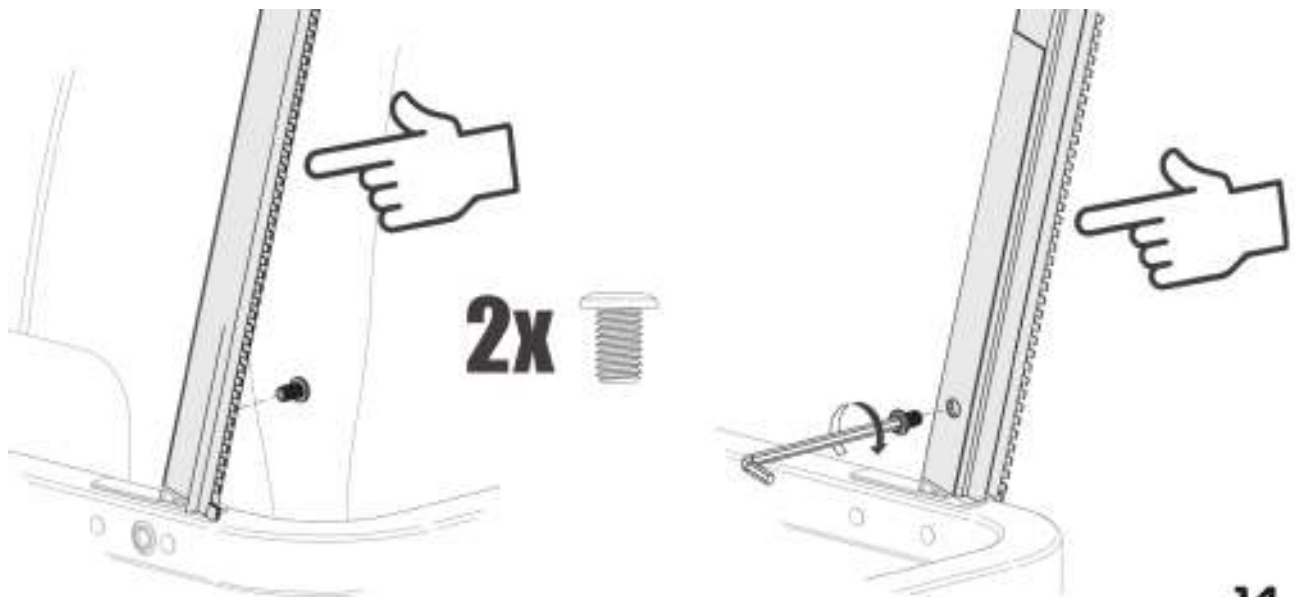
Identify the correct arch to fit.
(ARCH 1) refer to page 4.

Align Arch 1 so the fabric wing is facing toward the rear of the scooter.

Slide the tubes on the arch down onto the mounts on the main frame as shown.



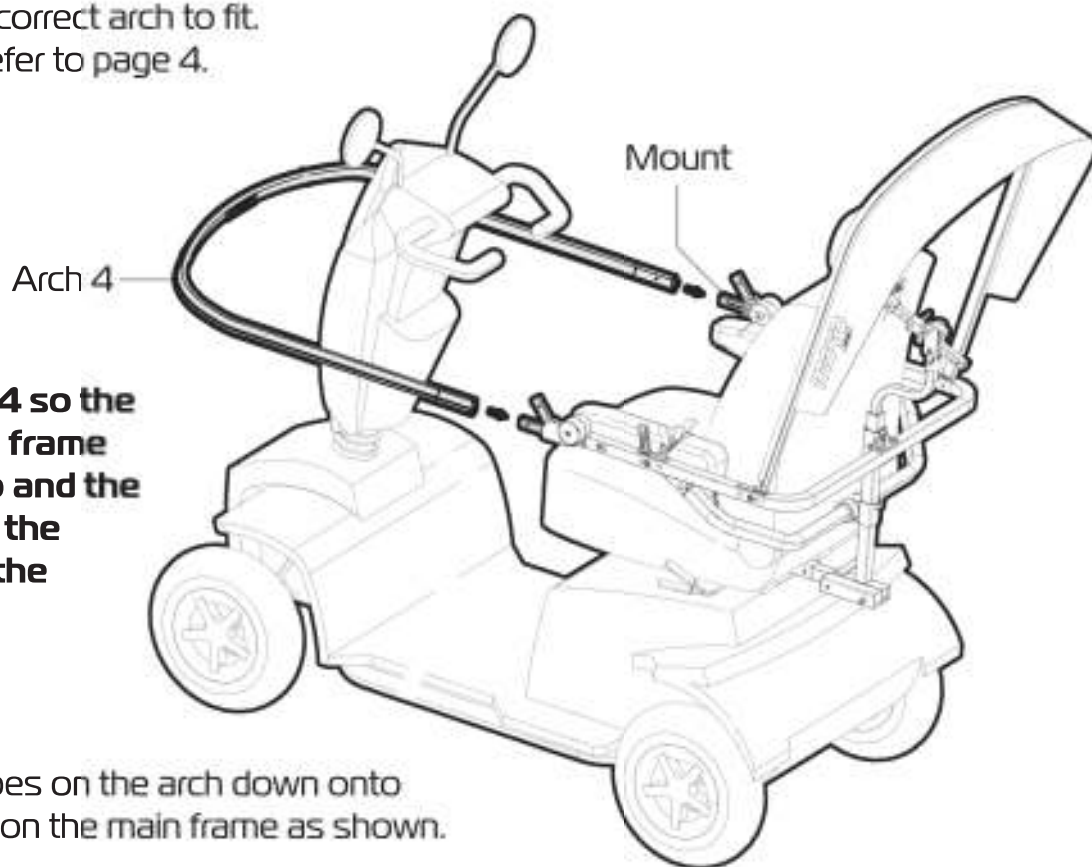
Align the hole in the arch tube with the hole in the mount.
Using 2 bolts and the allen key provided - fix the arch onto the main frame.



14.

ASSEMBLY - FIT ARCH 4

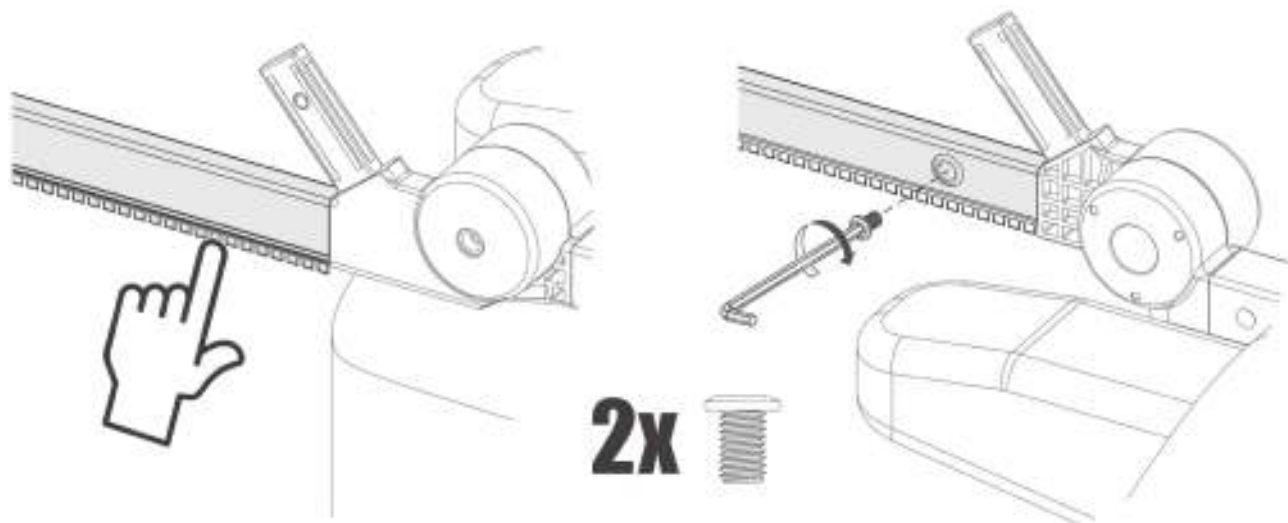
Identify the correct arch to fit.
(ARCH 4) refer to page 4.



Align Arch 4 so the bend in the frame is facing up and the zipper is at the bottom of the arch.

Slide the tubes on the arch down onto the mounts on the main frame as shown.

Align the hole in the arch tube with the hole in the mount.
Using 2 bolts and the allen key provided - fix the arch onto the main frame.



15.

ASK FOR THE BRAND

scooterxtras.com.au

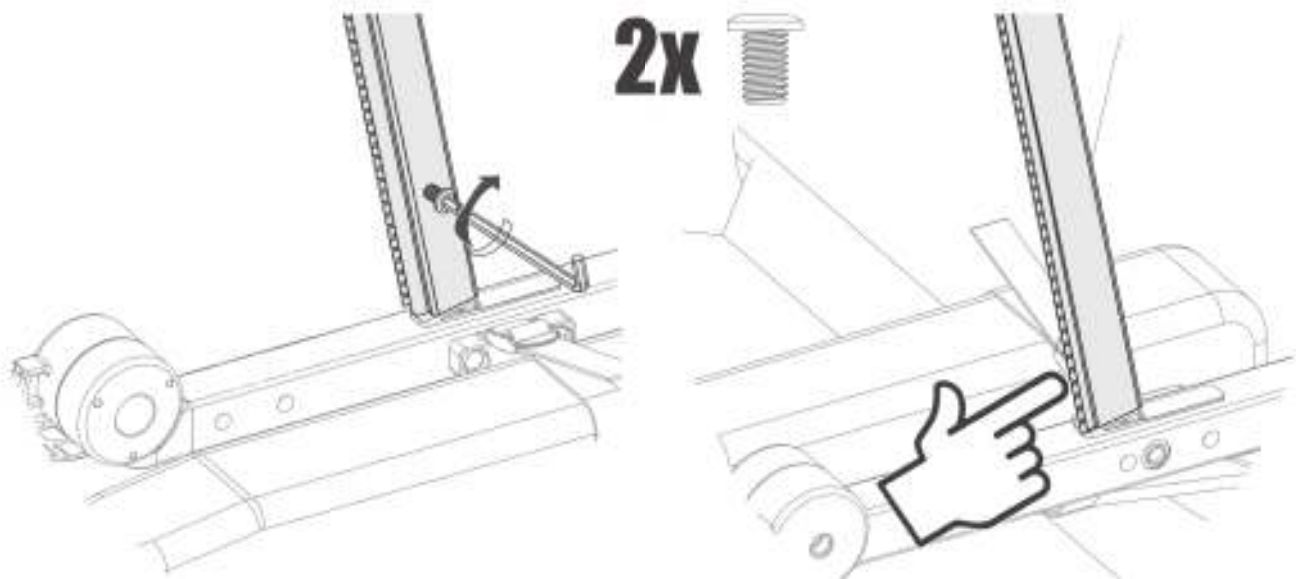
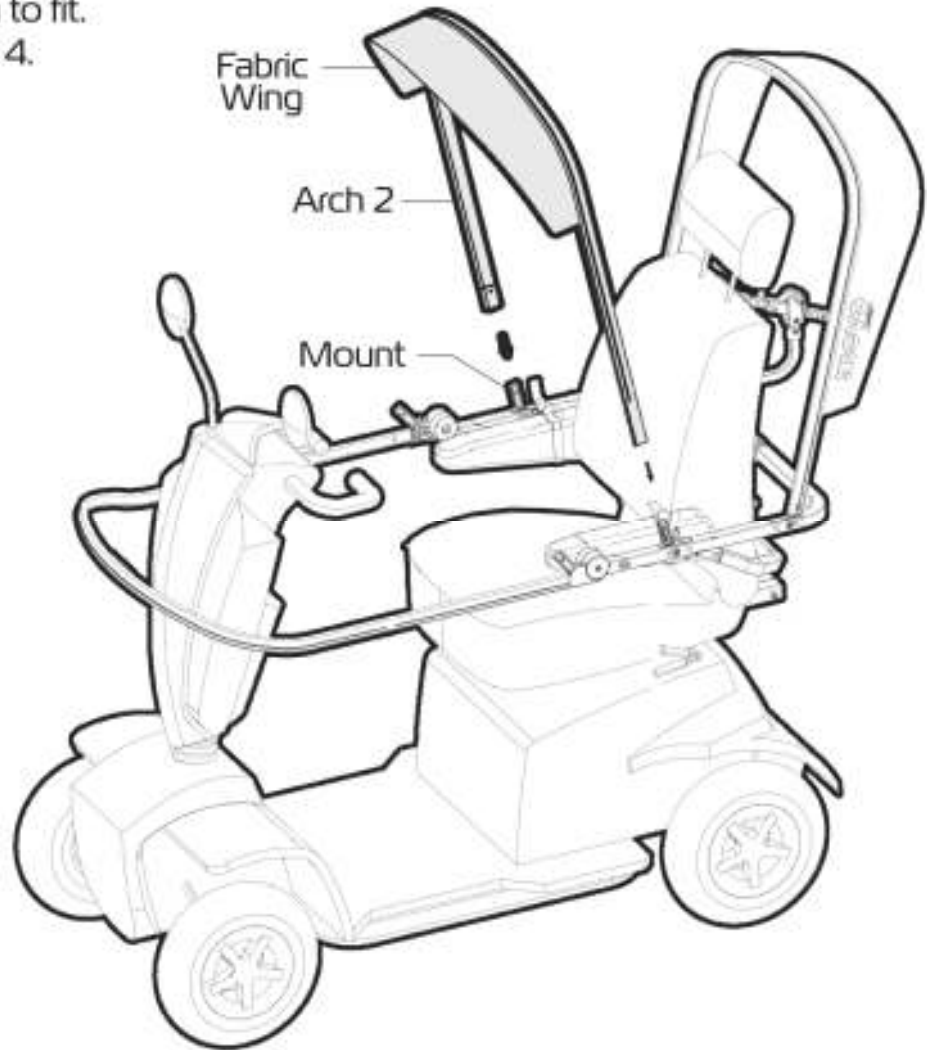
ASSEMBLY - FIT ARCH 2

Identify the correct arch to fit.
(ARCH 2) refer to page 4.

Align Arch 2 so the fabric wing is facing towards the front of the scooter.

Slide the tubes on the arch down onto the mounts on the main frame as shown.

Align the hole in the arch tube with the hole in the mount. Using 2 bolts and the allen key provided - fix the arch onto the main frame.



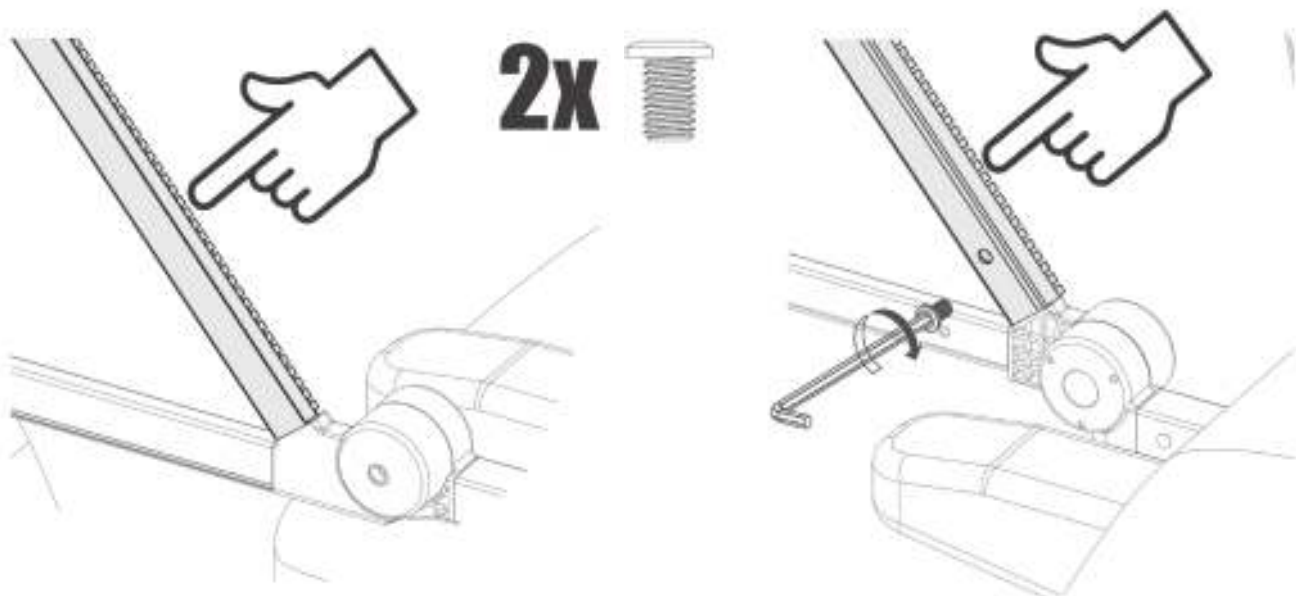
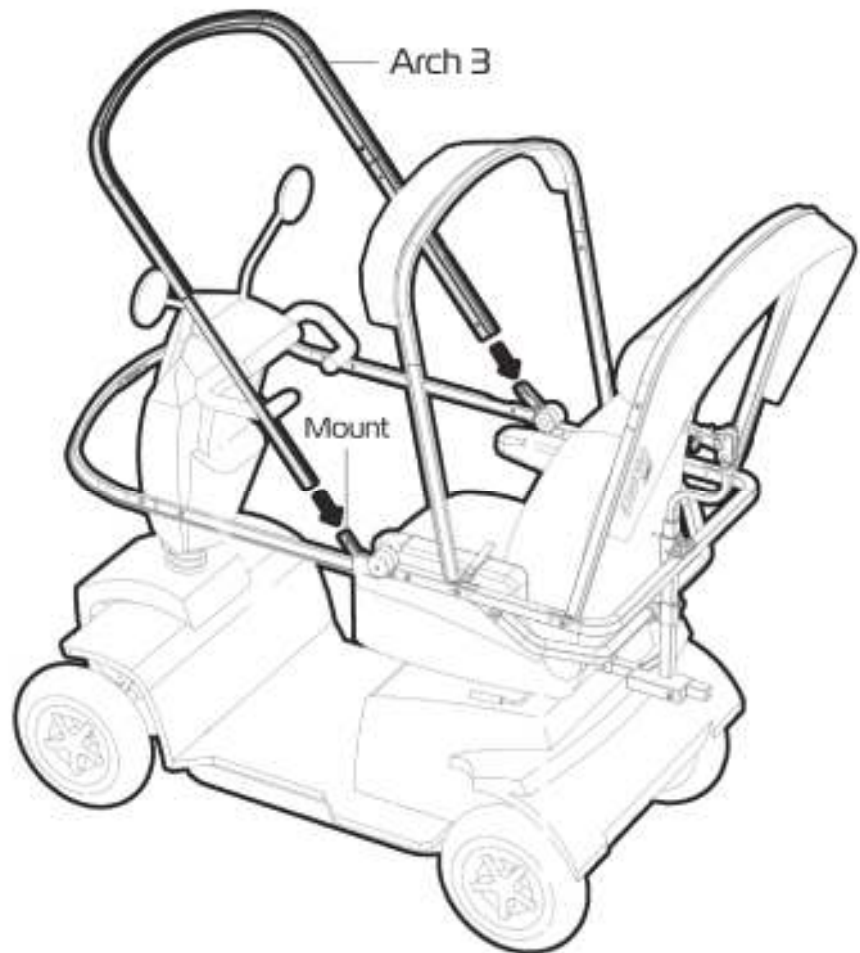
ASSEMBLY - FIT ARCH 3

Identify the correct arch to fit.
(ARCH 3) refer to page 4.

Align Arch 3 so the zipper is facing towards the rear of the scooter.

Slide the tubes on the arch down onto the mounts on the main frame as shown.

Align the hole in the arch tube with the hole in the mount. Using 2 bolts and the allen key provided - fix the arch onto the main frame.



17.

ASK FOR THE BRAND

scooterxtras.com.au

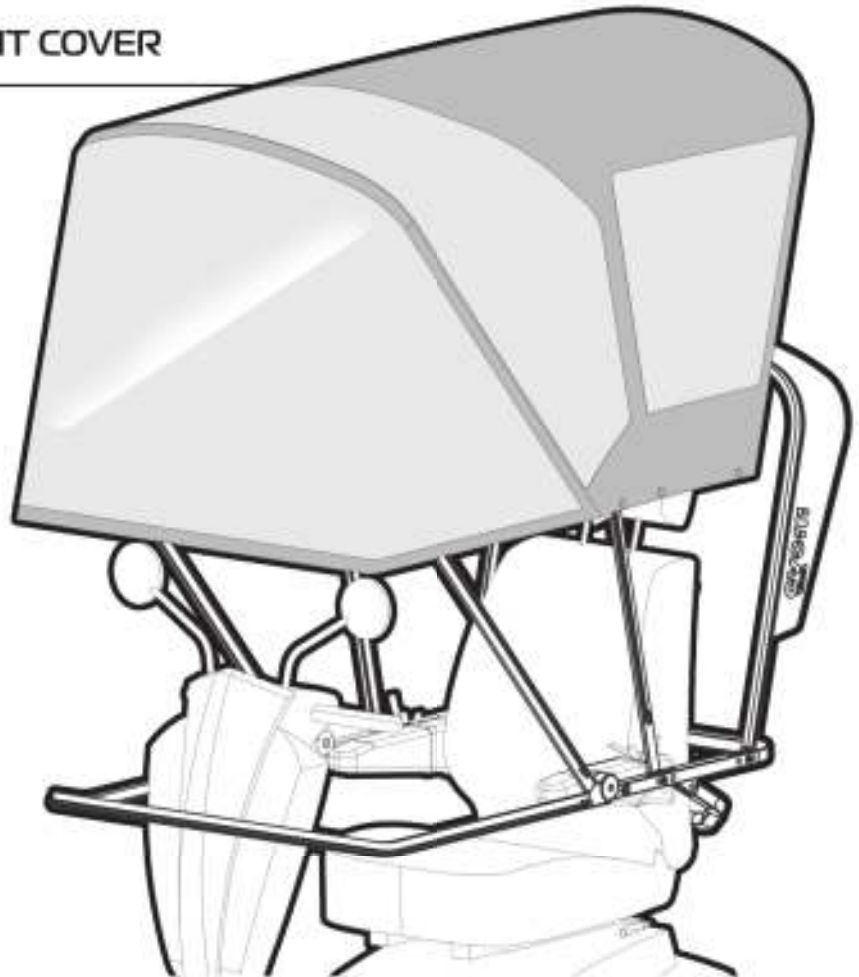
ASSEMBLY - FIT COVER

Align the cover with the clear window facing toward the front of the scooter.

Ensure the cover is turned out the correct way with seams on the inside.

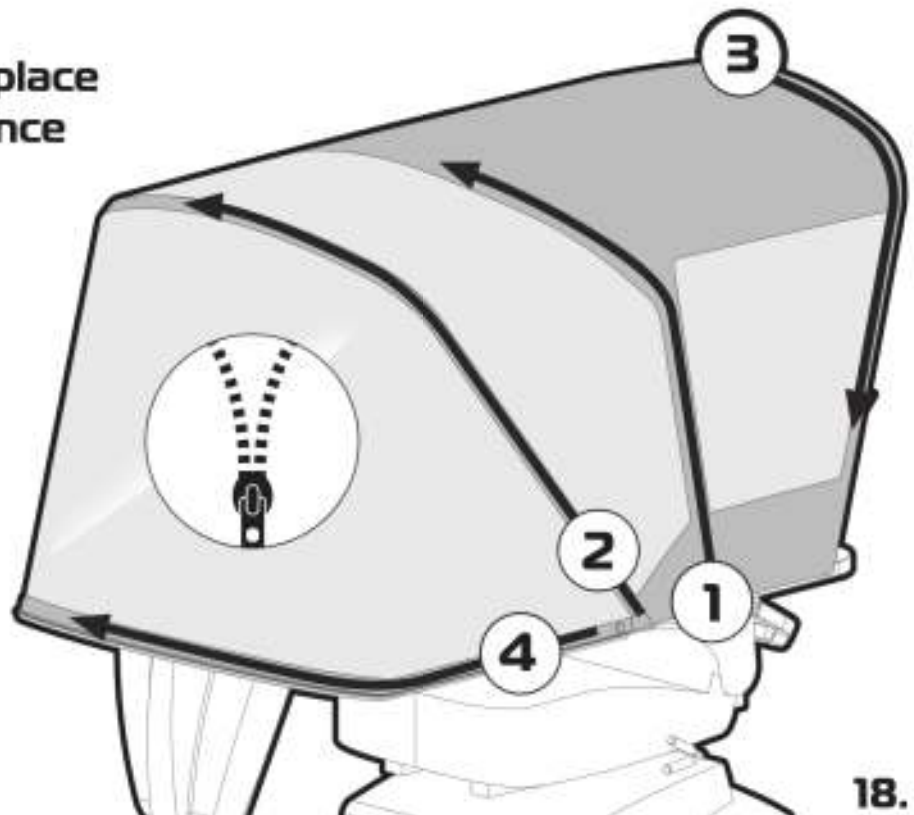
Lay the cover over the arches as shown.

From inside the cover line up the zippers on the cover with the zippers on the arches.



Zip the cover into place in the order sequence shown below.

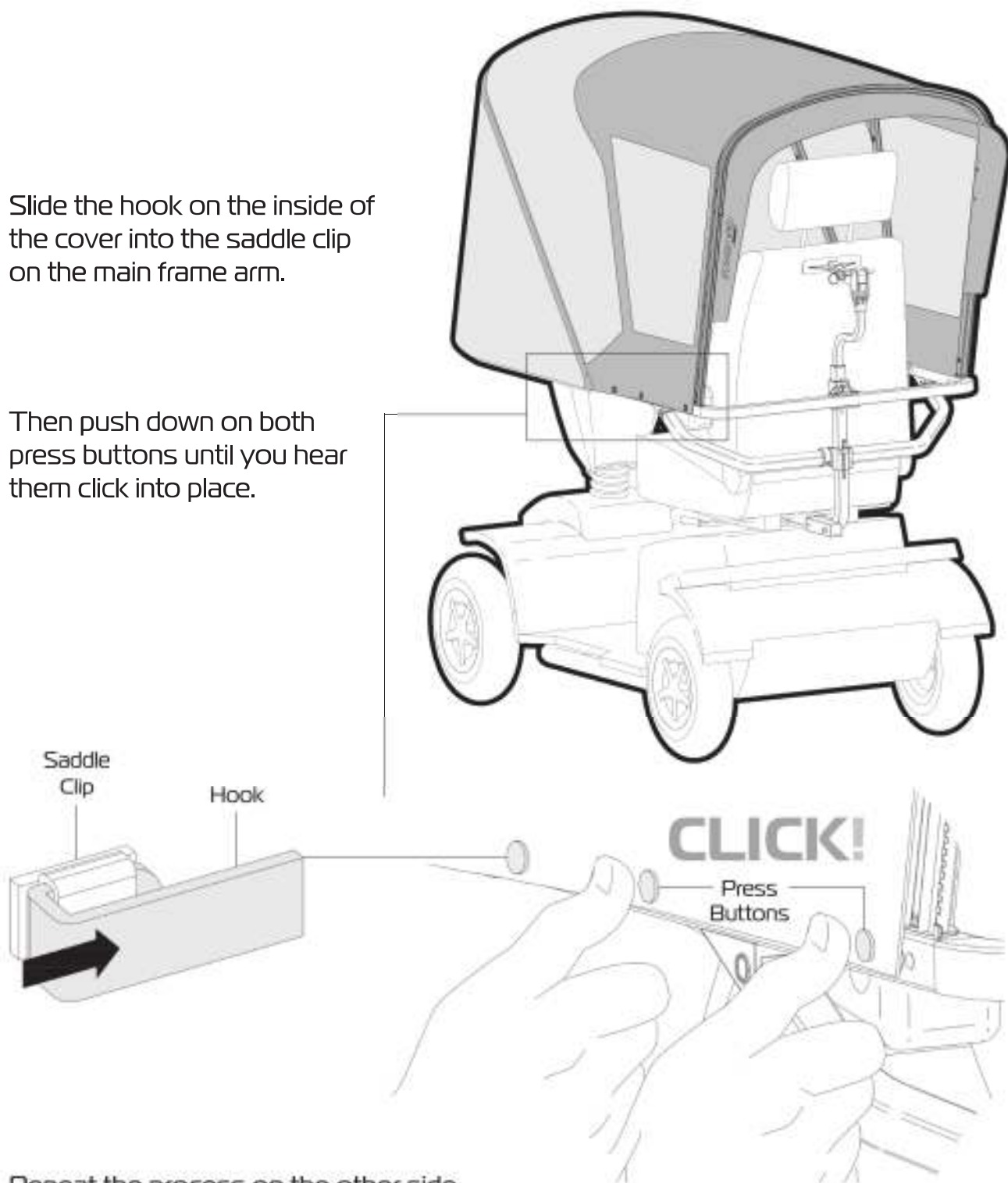
Ensure the zipper slider body is at the start of the zipper prior to attaching cover.



ASSEMBLY - FIT COVER (continued)

Slide the hook on the inside of the cover into the saddle clip on the main frame arm.

Then push down on both press buttons until you hear them click into place.



Repeat the process on the other side.

The fitting of the MOVO Flip Up Canopy is now complete.

19.

ASK FOR THE BRAND

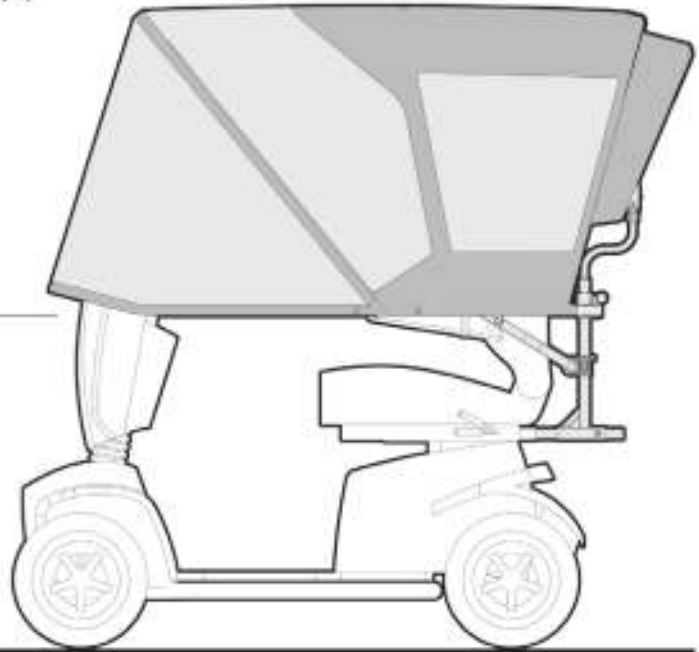
scooterxtras.com.au

USER GUIDELINES - OPERATION

Prior to using the MOVO Flip Up Canopy check to see that the canopy is sitting parallel to the ground.

If it is not - adjust the upper upright as required.

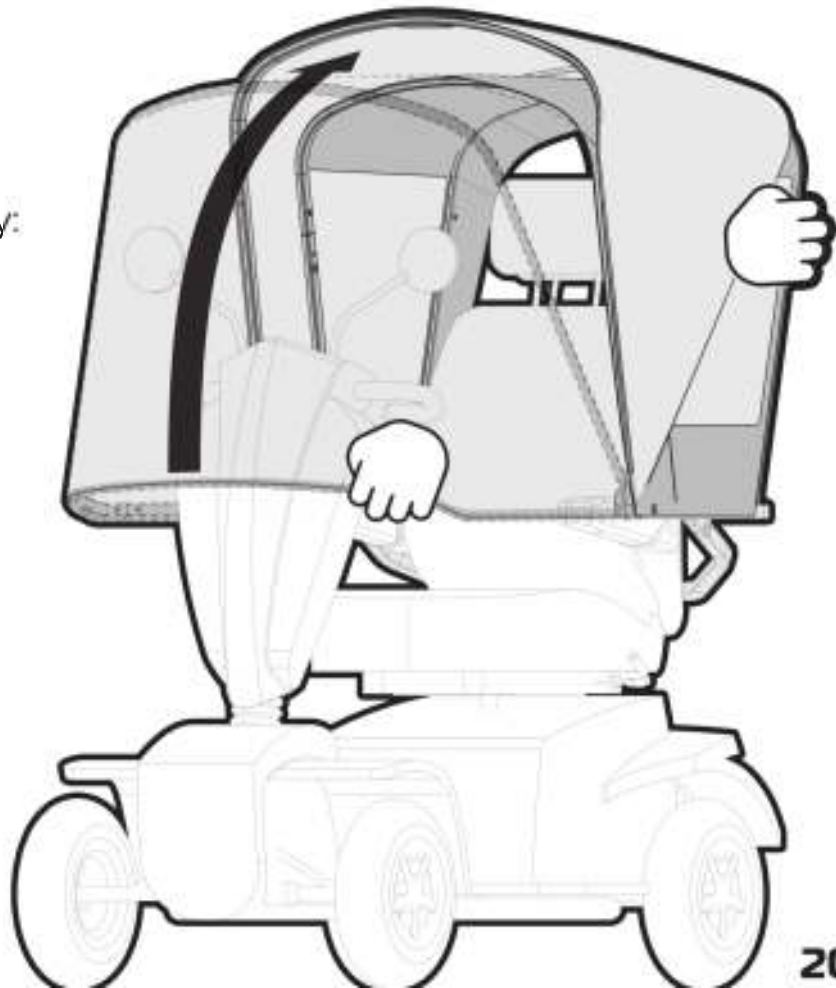
PARALLEL
with ground



OPERATION

When raising up the canopy: Place one hand under the front arch and one hand on the rear arch for control.

Depending on the scooter the mirrors may need to be folded in when the canopy is in the down position.



USER GUIDELINES - SAFETY PRECAUTIONS

Please follow these guidelines to get the optimal benefit from the MOVO Flip Up Canopy. Failure to follow these guidelines may result in damage to the canopy, mobility scooter and put the user at risk.

Please ensure all the parts of the canopy have been fitted as instructed.

IMPORTANT NOTE !

Using a mobility scooter fitted with a MOVO Flip Up Canopy in STRONG WINDS (over 25 knots) and adverse weather can seriously compromise your safety and may damage the mobility scooter beyond repair.

Do not use the MOVO canopy in the following conditions:

- Hail
- Heavy snow
- Heavy rain

NEVER use the canopy to assist with getting on and off the mobility scooter. The MOVO Flip Up Canopy has not been designed to be used as a assistive support structure.

Remove the canopy from the scooter when being transported by car / trailer.

Do not smoke under the canopy.



PRODUCT CARE - INSPECTIONS / CLEANING

INSPECTIONS

We suggest that you visually check the MOVO Flip Up Canopy periodically for signs of damage or wear prior to use. Overall check that the cover is not frayed or torn. Closely inspect all zippers and mounting framework for damage.



Remove the MOVO Flip Up Canopy immediately if you suspect damage or any other fault. If in any doubt, please do not issue or use, but immediately contact your supplier for service support.

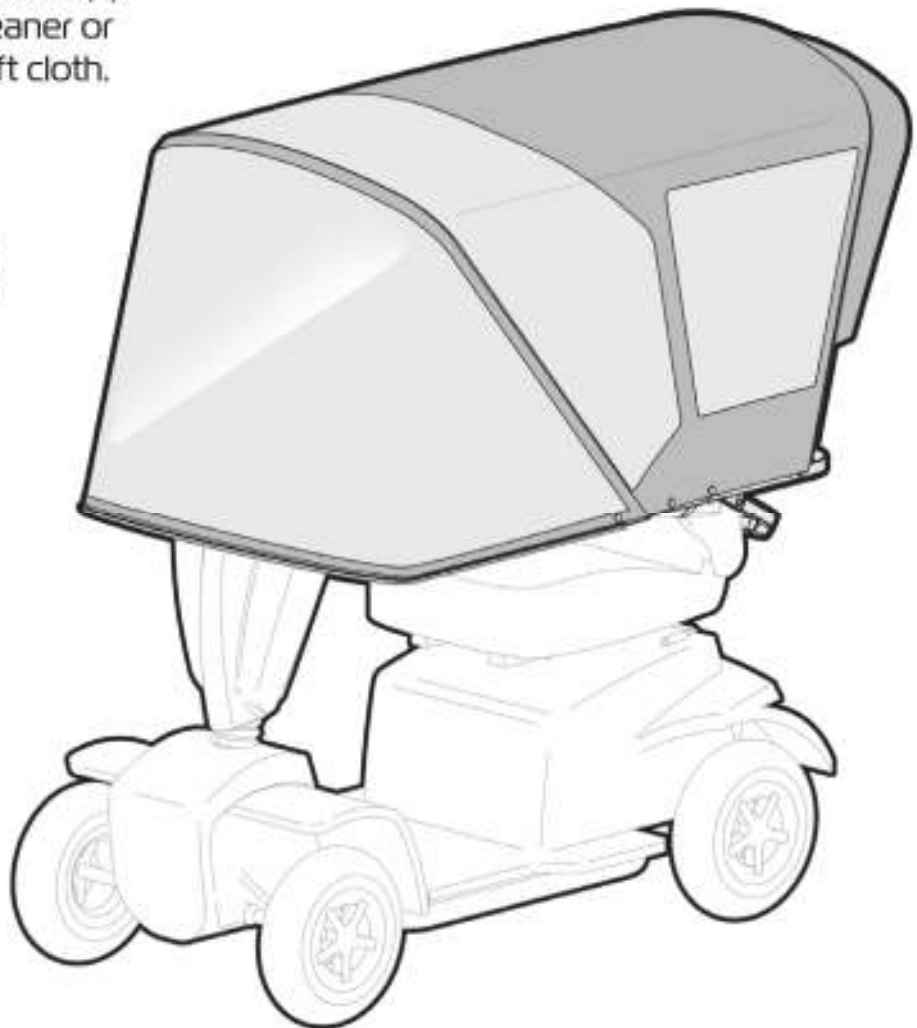
CLEANING

Clean the MOVO Flip Up Canopy using a non-abrasive cleaner or mild detergent with a soft cloth.

Abrasive cleaners or abrasive cleaning pads will damage the canopy and should not be used.

We recommend that the clear film on the canopy is cleaned monthly with warm soapy water and allowed to air dry.

Never apply heat to the canopy to dry after cleaning!



WARRANTY

The SCOOTER XTRAS MOVO Flip Up Canopy (SE-MC) is covered by a 12 Month Warranty from the date of purchase.

If the product has any manufacturing faults during this period contact the place of purchase for assessment. Failures as a result of **ACCIDENTAL MISUSE, MODIFICATION OR WEAR AND TEAR ARE NOT COVERED BY THIS WARRANTY.**

During the guarantee period, if the company is satisfied there is a genuine fault, we will repair or replace the product at our earliest convenience. There may be freight charges if product needs to be returned to your place of purchase.

In order for this guarantee to be valid, you must:

- Be the original purchaser
- Provide a copy of the original invoice.
- Comply with manufacturer care and maintenance instructions.

Our goods come with guarantees that cannot be excluded under the Australian Consumer Law. You are entitled to a replacement part for a major failure and for compensation for any other reasonably foreseeable loss or damage. You are entitled to have the goods repaired or replaced if the goods fail to be of acceptable quality and failure does not amount to major failure.

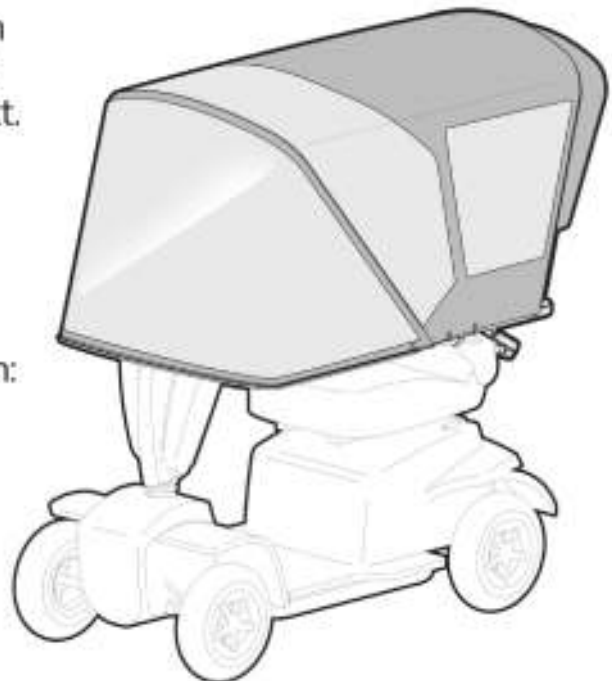
Do not modify the MOVO Flip Up Canopy in any way or fit any parts or accessories that are not specified as an option for the product. To do so will void your warranty and may seriously compromise your safety.

If you have any issues or questions about the MOVO Flip Up Canopy please contact your supplier or SCOOTER XTRAS direct on:

T: **+61 8 9248 4180**

E: **orders@for-de.com.au**

A: **1 Business Way, Malaga
Western Australia 6090**



23.

SCOOTER XTRAS - PRODUCT RANGE

Scooter Xtras offer a comprehensive range of mobility scooter and powerchair accessories:

- BATTERY RANGE
- BATTERY CHARGER RANGE
- SUN CANOPIES
- BAG CARRIER
- WALKING AID CARRIERS
- OXYGEN BOTTLE CARRIER
- DRINK BOTTLE CARRIER
- MOBILE PHONE CARRIER
- GOLF BAG CARRIER
- SAFETY FLAGS
- STORAGE COVERS
- SCOOTER MACS (RAINCOAT)
- ACCESS RAMPS

Please contact your supplier or SCOOTER XTRAS direct for more information.

DISTRIBUTOR:

**SCOOTER
XTRAS**



**Proudly
Australian Owned
and Operated**

ASK FOR THE BRAND

scooterxtras.com.au