

# OVER BED CHAIR TABLE - RGOBCT

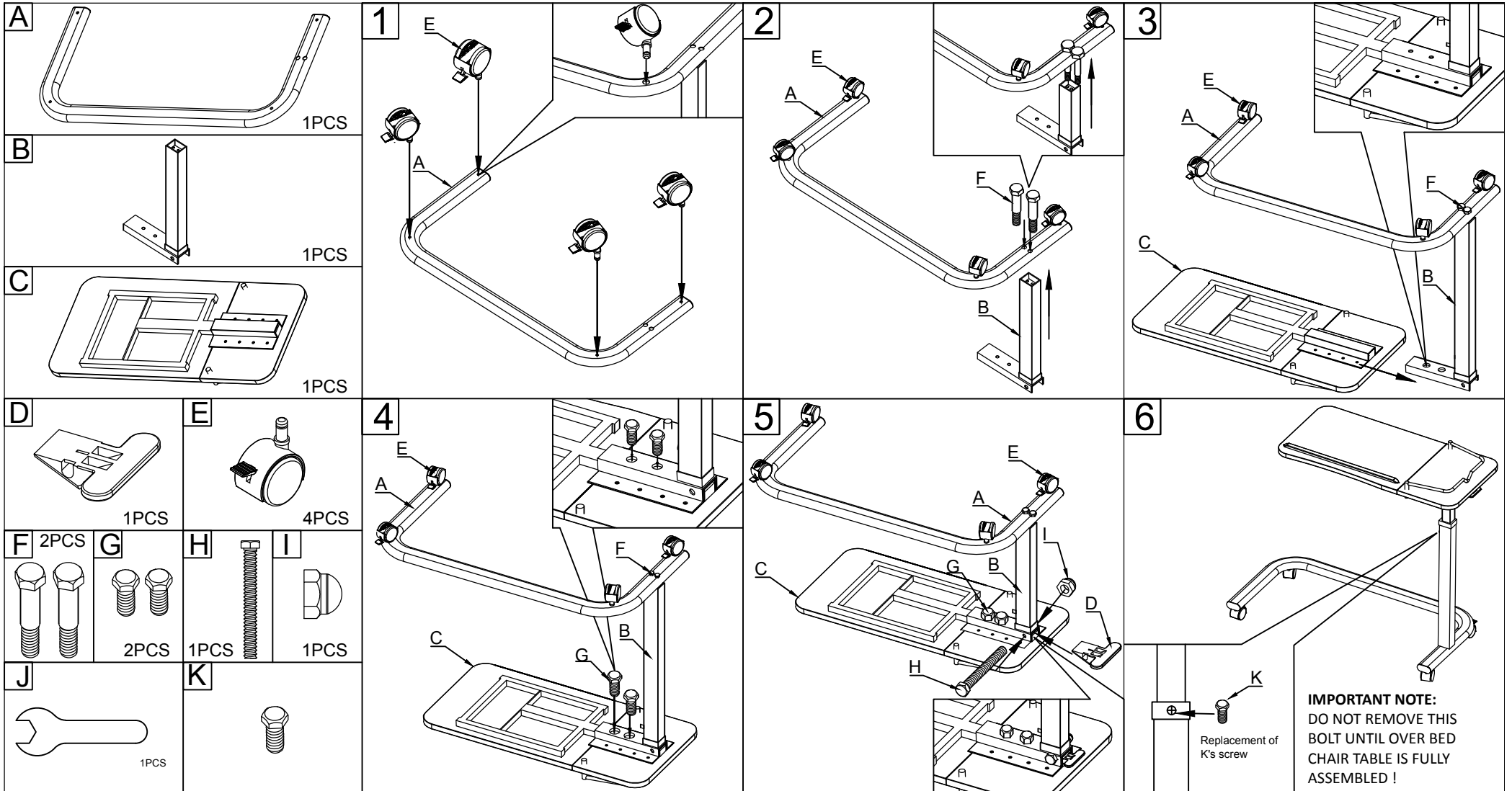
This product has limitations and should be used in accordance to these guidelines.

Failure to follow these guidelines may result in damage to the product and injury to the user.

It is the responsibility of the user to ensure the suitability of this product for its intended use.

The user should consult their appropriate healthcare professional if unsure of the correct product usage for their unique circumstances.

Only use your over bed chair table for the purpose for which it is intended, which is as a platform solution that can adjust to suit the users individual requirements.



## INSPECTIONS

We suggest that you check your Over Bed Chair Table visually periodically for signs of damage or wear prior to use.

Please check all aspects of the Over Bed Chair Table. However, pay particular attention to the following areas:

Platform - Check top for distortion, cracks or splits.

Frame - Check frame for damage or distortion.

Castors - Check castors for damage and gathered debris.

Overall check that no components are loose or worn.



Withdraw the Over Bed Chair Table immediately if you suspect damage or any other fault. If in any doubt, please do not issue or use, but immediately contact your supplier for service support.

## SERVICING

REDGUM Brand recommend that you should have your Over Bed Chair Table serviced every TWELVE months or less if used by, or issued to, various users.

Servicing should be carried out by an approved service technician or by REDGUM Brand directly.

Do not fit any parts or accessories to your Over Bed Chair Table that are manufactured by another company. To do so will void your warranty and may seriously compromise your safety.

## CLEANING

Clean your Over Bed Chair Table using a non-abrasive cleaner or mild detergent with a soft cloth.

Abrasive cleaners or abrasive cleaning pads could seriously damage the over bed chair table beyond repair and should not be used.

Remove any debris from the castors.

## WARRANTY

Your REDGUM Brand RGOBCT - Over Bed Chair Table is covered by a 12 Month Warranty from the date of purchase.

If the product has any manufacturing faults during this period contact the place of purchase for assessment.

Failures as a result of ACCIDENTAL DAMAGE, MISUSE, MODIFICATION OR WEAR AND TEAR ARE NOT COVERED BY THIS WARRANTY.

Our goods come with guarantees that cannot be excluded under the Australian Consumer Law. You are entitled to a replacement part for a major failure and for compensation for any other reasonably foreseeable loss or damage. You are entitled to have the goods repaired or replaced if the goods fail to be of acceptable quality and failure does not amount to major failure.

If you have any issues or questions about your over bed chair table please contact your supplier or REDGUM Brand direct on:

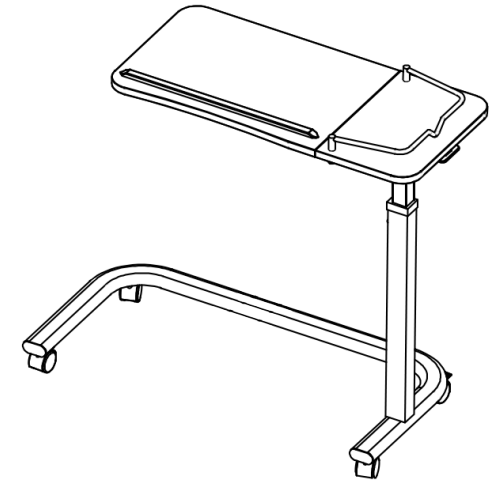
T: +61 8 9248 4180

F: +61 8 9248 9452

E: [orders@for-de.com.au](mailto:orders@for-de.com.au)

A: 1 Business Way, Malaga

Western Australia 6090



REDGUM Brand strives to provide the highest quality products possible.  
Products are subject to change without notice.

Please keep this User Manual in a safe place for future reference.

© Copyright REDGUM Brand 2019  
REDGUM Brand is part of FOR-DE Group Pty Ltd