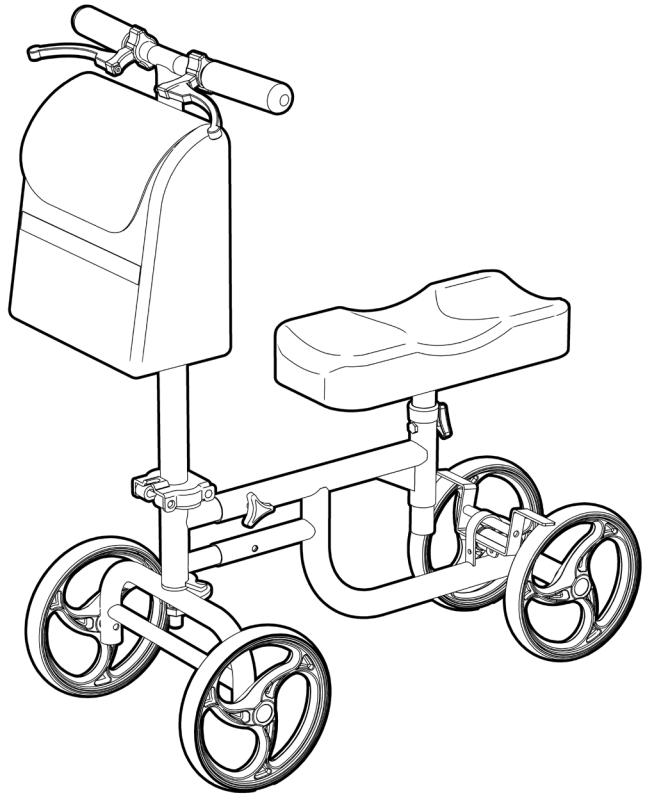


KNEE WALKER

RG20KW

June 2019



USER MANUAL

Please read and keep these instructions



REDGUM Brand owns the copyright to the Knee Walker user manual. Any information contained in this user manual shall not be photocopied, reproduced or translated into any other languages without the prior written consent of REDGUM Brand.

REDGUM Brand strives to provide the highest quality products possible. Products are subject to change without notice.

© Copyright **REDGUM Brand** 2019

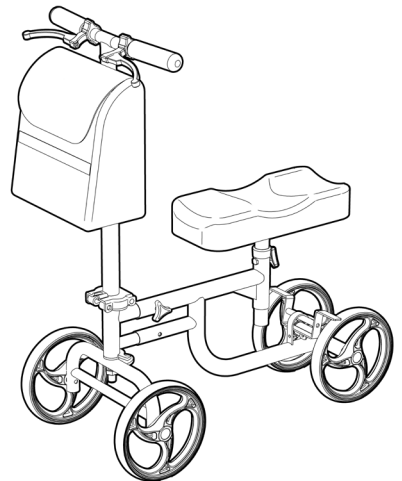


REDGUM Brand is part of **FOR-DE Group Pty Ltd**

redgumbrand.com.au

CONTENTS

1. **INTRODUCTION** - INTENDED USE
2. **PRODUCT OVERVIEW** - FEATURES / SPECIFICATIONS
3. **ASSEMBLY** - UNPACK and INSPECT SUPPLIED PARTS
4. **ASSEMBLY** - STEERING COLUMN
5. **ASSEMBLY** - FRAME
6. **ASSEMBLY** - HANDLEBAR
7. **ASSEMBLY** - KNEEPAD
8. **ASSEMBLY** - CARRY BAG
9. **USAGE GUIDELINES** - DO's + DON'Ts
10. **PRODUCT CARE** - INSPECTIONS / CLEANING
11. **WARRANTY**
12. **REDGUM BRAND** PRODUCT RANGE



INTRODUCTION

Thank you for purchasing this quality **REDGUM Brand** product.

If you have any issues or questions about the **Knee Walker** please contact your supplier or REDGUM Brand direct:

T: +61 8 9248 4180

F: +61 8 9248 9452

E: sales@for-de.com.au

A: 1 Business Way, Malaga Western Australia 6090

INTENDED USE

This product has limitations and should be used in accordance to these guidelines. Failure to follow these guidelines may result in damage to the product and injury to the user. It is the responsibility of the user to ensure the suitability of this product for its intended use. The user should consult their appropriate healthcare professional if unsure of the correct product usage for their unique circumstances.

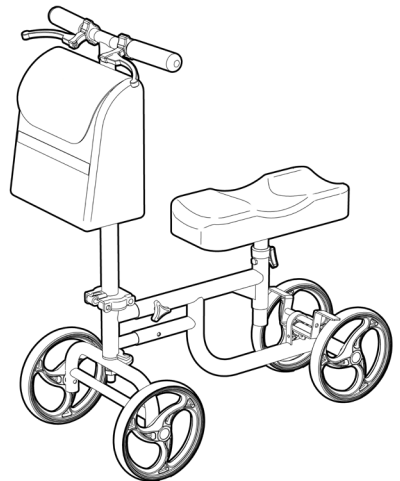
Only use your **Knee Walker** for the purpose for which it is intended, which is as a transportation solution that can adjust to suit the users individual requirements.

IMPORTANT NOTE

This equipment **MUST** be assembled by a competent person.

Maximum User Weight: 136kg

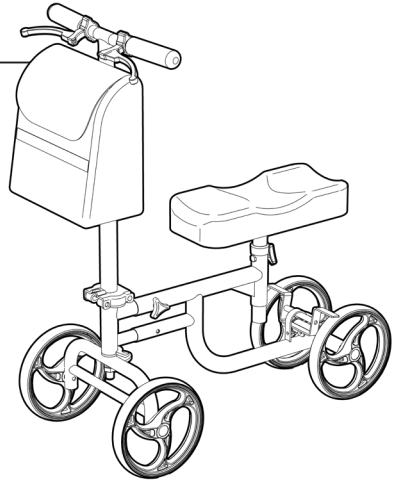
Exceeding the weight limit could cause damage to the product and could put the user at risk.



PRODUCT OVERVIEW

FEATURES

- Easy to assemble - NO tools required
- Adjustable height padded contoured kneepad
- Height adjustable handlebars
- Anti slide hand grips
- Left + Right hand dual locking brake system
- Large wheels for excellent mobility + stability
- Strong lightweight construction
- Folds down for storage and transport
- Removable carry bag with reflective strip
- Carry bag has external bottle / phone holder



SPECIFICATIONS (All dimensions shown are nominal)

Overall Dimensions: 750mm (L) x 375mm (W) x 840mm (H) - at lowest setting

Kneepad Size: 365mm (L) x 165mm (W)

Kneepad Height: 480 - 620mm (from top of seat to top of handle)

Handlebar Width: 400mm

Handlebar Height: 840 - 1070mm (from floor to top of handlebar)

Wheel Diameter: 200mm / 8"

Product Weight: 9.6kg

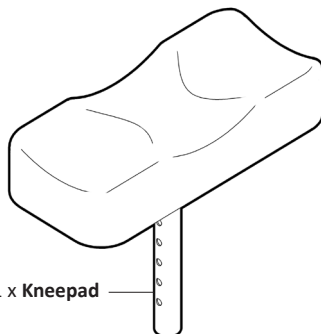
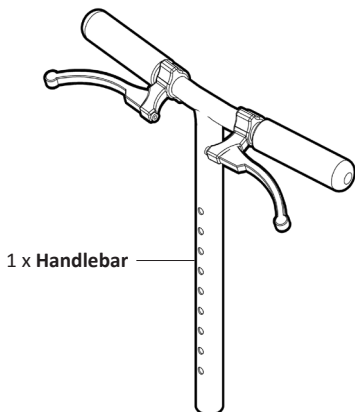
Maximum User Weight: 136kg

Please contact **REDGUM Brand** if you would like any further information on your **Knee Walker**.

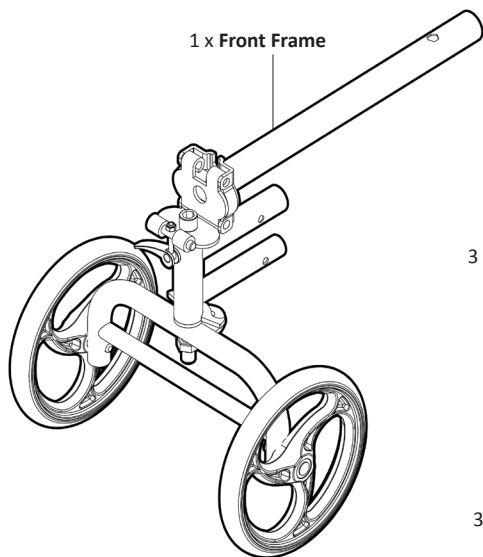
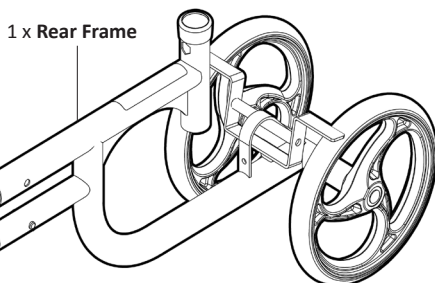
ASSEMBLY- UNPACK and INSPECT SUPPLIED PARTS

Ensure you have been supplied with the following parts:

PARTS:



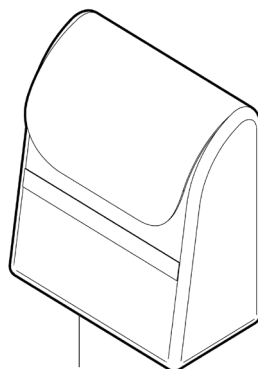
Note:
Brake Cables
not shown
for clarity



3 x Knob



3 x Bolt



IMPORTANT NOTE

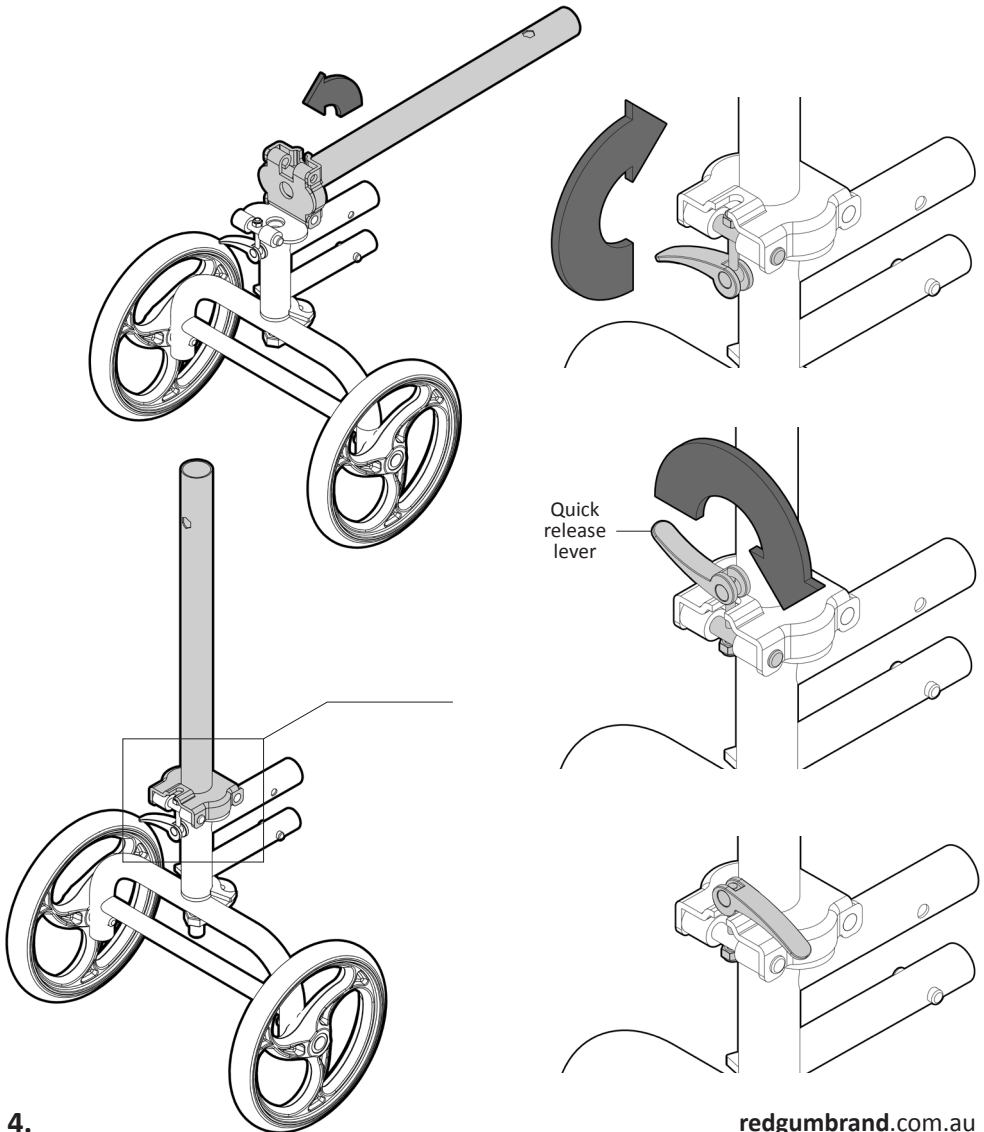
Check the product for any visible damage. If you see any damage or suspect a fault, **DO NOT USE YOUR PRODUCT** and contact your supplier for support.

ASSEMBLY- STEERING COLUMN

The main frame of the knee walker requires assembly prior to use.

To set up the steering column as required, please follow these steps:

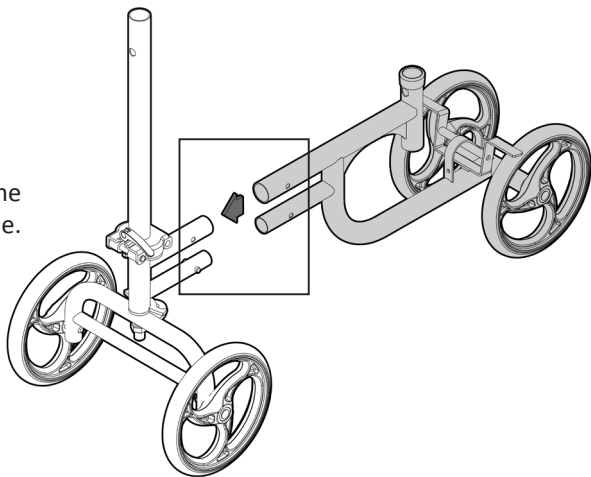
1. Rotate up the steering column on the front frame until the two mounting plates come together.
2. Rotate the quick release lever up and over onto the top mounting plate.
3. Pivot the lever over to lock the steering column into position.



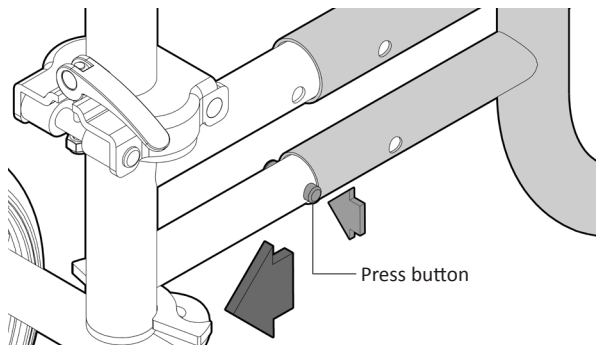
ASSEMBLY- FRAME

The front and rear frames of the knee walker need to be fixed together:

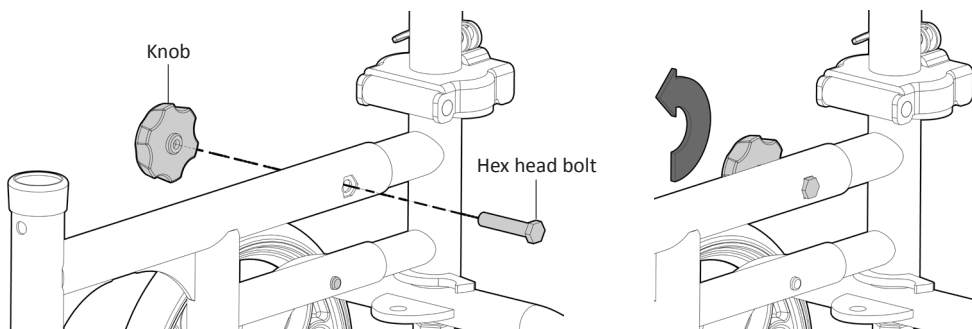
1. Line up the frames as shown.
2. Insert the tubes on the rear frame into the tubes on the front frame.
3. Depress the press button to allow the frames to continue to locate.
4. Keep bringing the frames together until the press button locates in the hole.



5. Insert the bolt into the hex shaped hole on the upper tube.
(Ensure hex head of bolt lines up with hex hole)



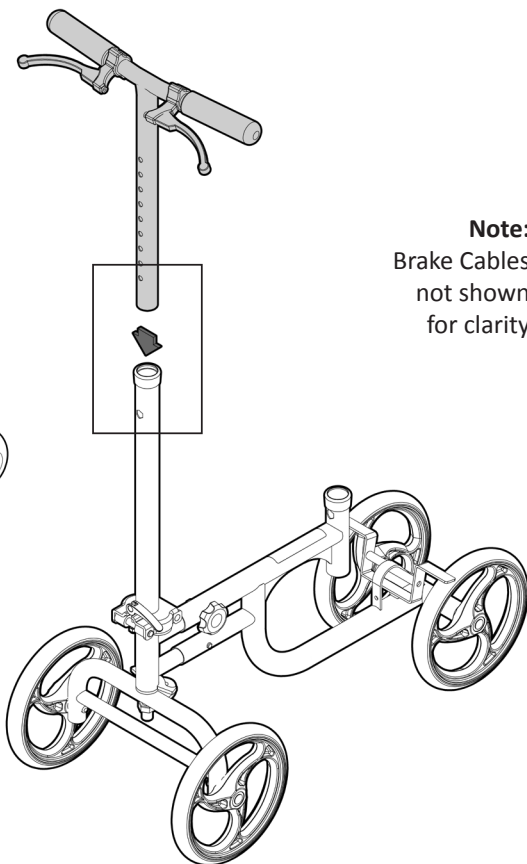
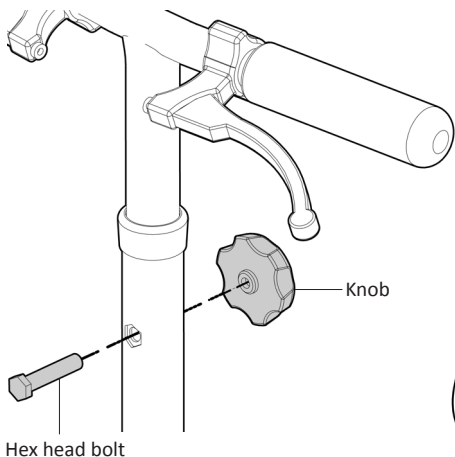
6. Screw on knob to lock frames together.



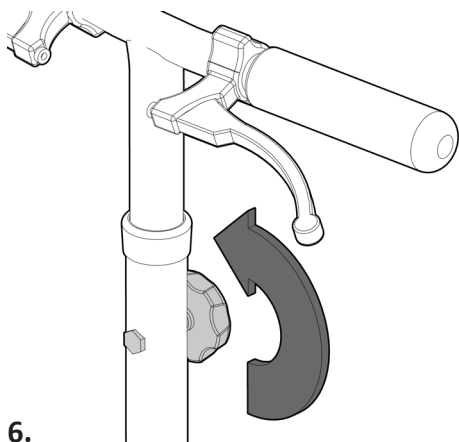
ASSEMBLY- HANDLEBAR

The handlebar requires location into the steering column:

1. Ensure the front of the handlebar is **facing toward front of knee walker.**
2. Insert tube on handlebar into steering column.
3. Line up holes at required height setting and insert bolt into hole. (Ensure hex head of bolt lines up with hex hole)
4. Screw on knob to lock handlebar in position.



Note:
Brake Cables
not shown
for clarity

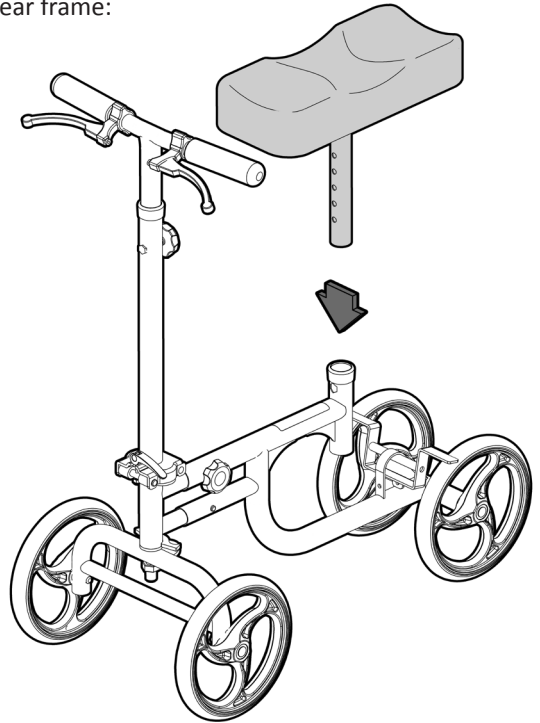


NOTE:
To adjust height of Handlebar:
- Undo knob
- Remove bolt
- Adjust height
- Reinstall bolt and knob

ASSEMBLY- KNEEPAD

The kneepad requires location into the rear frame:

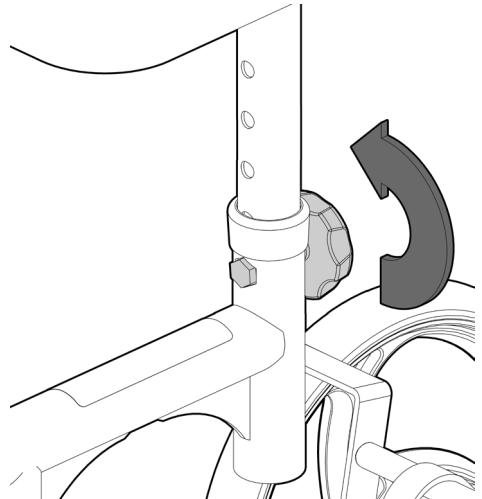
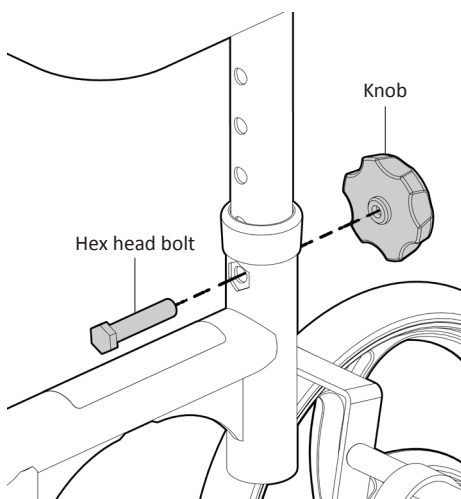
1. Insert tube on kneepad into upright on rear frame.
2. Line up holes at required height setting and insert bolt into hole. (Ensure hex head of bolt lines up with hex hole)
3. Screw on knob to lock kneepad in position.



NOTE:

To adjust height of Kneepad:

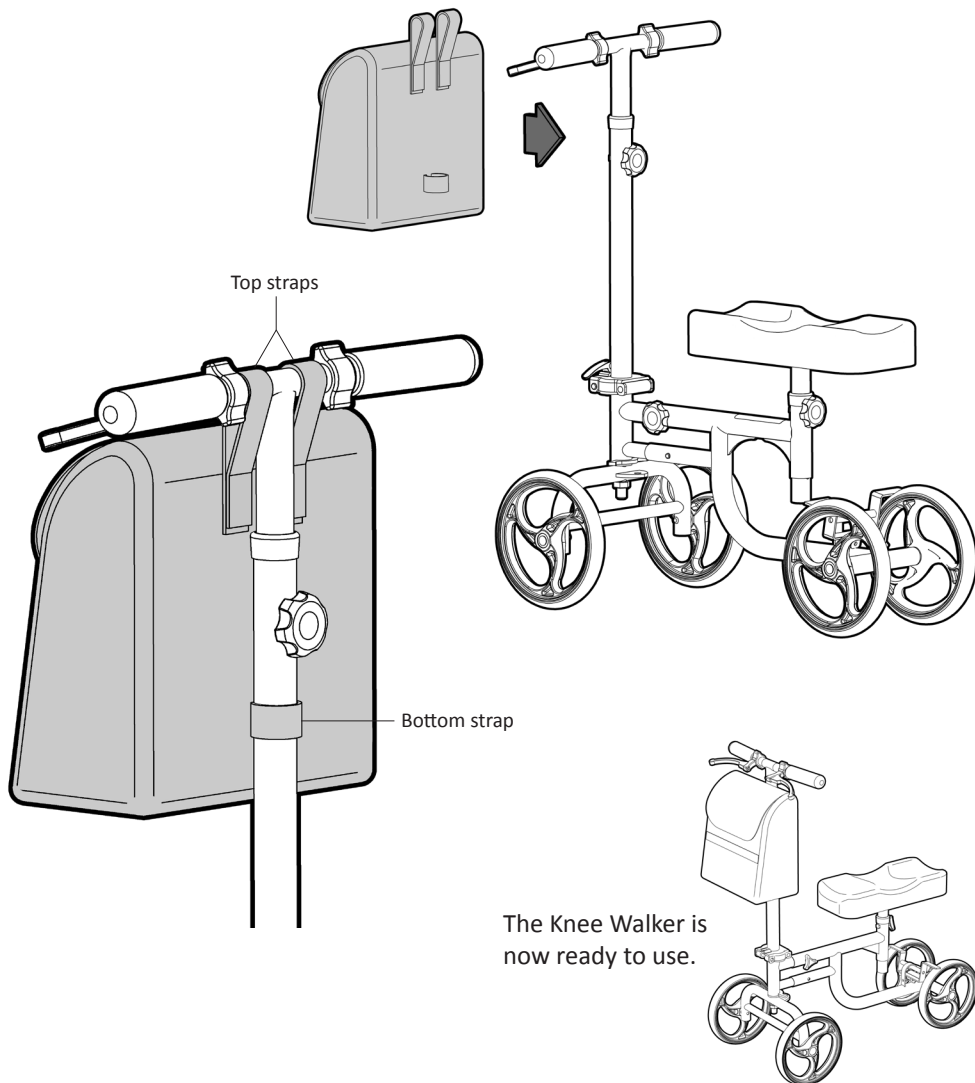
- Undo knob
- Remove bolt
- Adjust height
- Reinstall bolt and knob



ASSEMBLY - CARRY BAG

The Knee Walker comes with a carry bag. To fit the carry bag to the handlebar:

1. Undo the 3 velcro straps.
2. Position carry bag onto handlebar as shown.
3. Wrap straps around handlebar to hold in place.
(Top 2 straps onto horizontal tube - either side of upright
Bottom strap onto vertical tube)



USAGE GUIDELINES - DO's + DON'TS

Please follow these guidelines to get the optimal benefit from your Knee Walker.

Failure to follow these guidelines may result in damage to the Knee Walker and put the user at risk.

136kg Maximum User Weight.

Ensure ALL FOUR WHEELS remain on ground at all times when the Knee Walker is being used.

Do not lean too far to the side or backward causing the wheels to leave the ground.

The Knee Walker should be used on level ground (Avoid uneven ground where possible).

Use the handbrakes to regulate speed where possible - especially when going downhill.

Do not corner at high speed as the Knee Walker may topple over.

The **park brake** should be on when the Knee Walker is stationary.

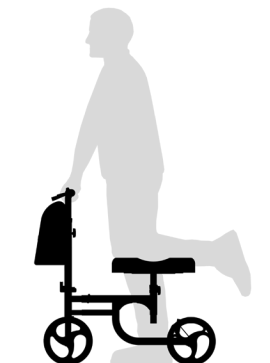
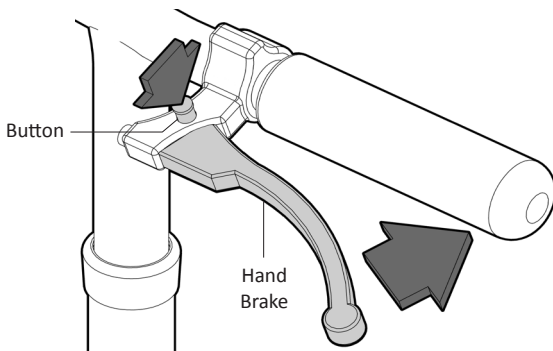
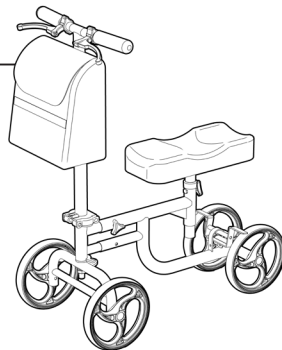
To engage the park brake:

- Squeeze hand brake and depress button to engage.
- To release the park brake - squeeze hand brake again.

Do not overload the carry bag as it may affect steering.
(Maximum load: 2kg)

IMPORTANT NOTE:

Always set up the Knee Walker to suit the user. Adjust handlebar and knee pad to a comfortable and safe working height as required.



PRODUCT CARE - INSPECTIONS / CLEANING

INSPECTIONS

We suggest that you check your Knee Walker visually periodically for signs of damage or wear prior to use. Overall check that no components are loose or worn.



Withdraw the Knee Walker immediately if you suspect damage or any other fault. If in any doubt, please do not issue or use, but immediately contact your supplier for service support.

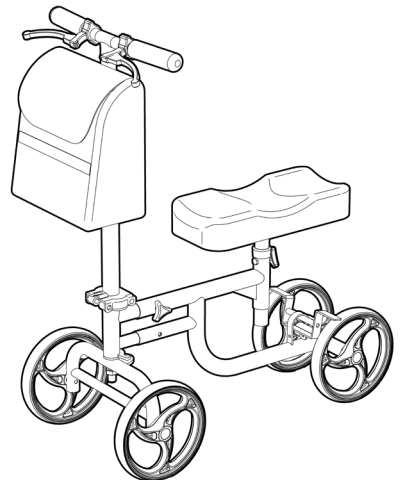
IMPORTANT NOTE

Do not fit any parts or accessories to your Knee Walker that are manufactured by another company. To do so will void your warranty and may seriously compromise your safety.

CLEANING

Clean your Knee Walker using a non-abrasive cleaner or mild detergent with a soft cloth.

Abrasive cleaners or abrasive cleaning pads could damage the Knee Walker and should not be used.



WARRANTY

Your REDGUM Brand **RG20KW - Knee Walker** is covered by a **12 Month Warranty** from the date of purchase.

If the product has any manufacturing faults during this period contact the place of purchase for assessment. Failures as a result of **ACCIDENTAL MISUSE, MODIFICATION OR WEAR AND TEAR ARE NOT COVERED BY THIS WARRANTY.**

Our goods come with guarantees that cannot be excluded under the Australian Consumer Law. You are entitled to a replacement part for a major failure and for compensation for any other reasonably foreseeable loss or damage. You are entitled to have the goods repaired or replaced if the goods fail to be of acceptable quality and failure does not amount to major failure.

If you have any issues or questions about your Knee Walker please contact your supplier or REDGUM Brand direct on:

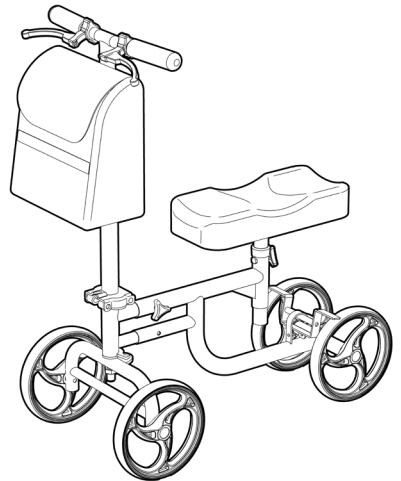
T: +61 8 9248 4180

F: +61 8 9248 9452

E: sales@for-de.com.au

A: 1 Business Way, Malaga
Western Australia 6090

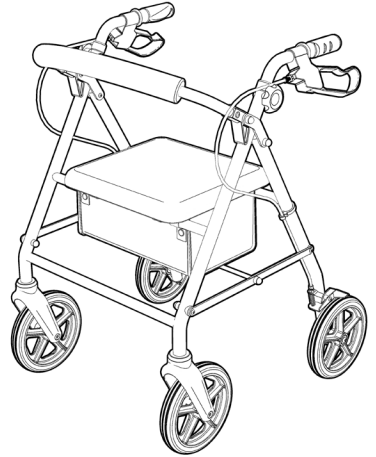
**Please keep this User Manual
in a safe place for future reference.**



REDGUM Brand - Product Range

REDGUM Brand offer a comprehensive range of products including:

- Seat Walkers**
- Side Folding Seat Walkers**
- Walking Frames**
- Wheelchairs**
- Walking Sticks + Quads**
- Crutches**
- Reachers**
- Shower / Bathroom products**
- Toilet products**
- Cushions: Air / Foam**
- Electric Lift Chairs**
- Electric Beds**
- Portable / Fixed Aluminium Ramps**
- Exercisers**
- Personal Alarms**



REDGUM Brand stock a large range of Spare Parts for all REDGUM brand products.

Please contact REDGUM Brand for further information:

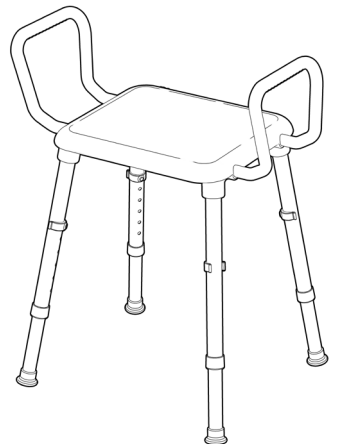
T: +61 8 9248 4180

F: +61 8 9248 9452

E: sales@for-de.com.au

A: 1 Business Way, Malaga Western Australia 6090

W: www.redgumbrand.com.au



DISTRIBUTOR:

REDGUM BRAND
*Daily Living and
Lifestyle Products*



Proudly Australian Owned and Operated

redgumbrand.com.au