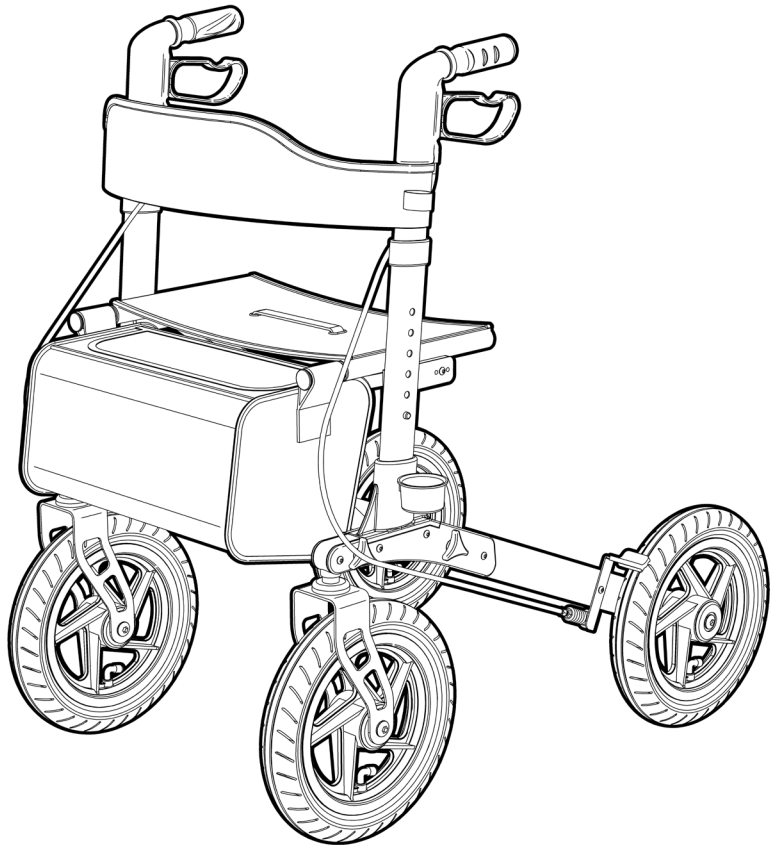


**REDGUM** BRAND  
Daily Living and  
Lifestyle Products

# ALL TERRAIN COMPACT SEAT WALKER

RG4412



## USER MANUAL

---

Please read and keep these instructions

# **REDGUM** BRAND *Daily Living and Lifestyle Products*

**REDGUM Brand** owns the **copyright** to the **All Terrain Compact Seat Walker** user manual. Any information contained in this user manual shall not be photocopied, reproduced or translated into any other languages without the prior written consent of REDGUM Brand.

**REDGUM Brand** strives to provide the highest quality products possible. Product is subject to change without notice.

© Copyright **REDGUM Brand** 2021



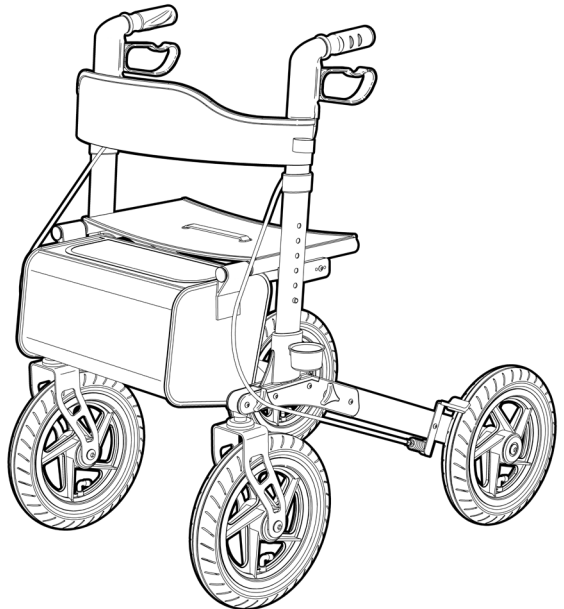
**REDGUM Brand** is part of **FOR-DE Group Pty Ltd**

[redgumbrand.com.au](http://redgumbrand.com.au)

# CONTENTS

---

1. **INTRODUCTION** - INTENDED USE
2. **PRODUCT OVERVIEW** - FEATURES / SPECIFICATIONS
3. **SET UP** - UNPACK and INSPECT SUPPLIED PARTS
4. **SET UP** - UNFOLDING / FOLDING WHEELS
5. **SET UP** - UNFOLDING / FOLDING FRAME
6. **SET UP** - FIT BAG
7. **OPERATION** - HANDLE ADJUSTMENT
8. **OPERATION** - HAND BRAKES
9. **OPERATION** - BRAKE ADJUSTMENT
10. **USAGE GUIDELINES** - DO's + DON'Ts
11. **PRODUCT CARE** - INSPECTIONS / CLEANING
12. **WARRANTY**



# INTRODUCTION

---

Thank you for purchasing this quality **REDGUM Brand** product.

If you have any issues or questions about the **All Terrain Compact Seat Walker** please contact your supplier or REDGUM Brand direct:

T: +61 8 9248 4180

F: +61 8 9248 9452

E: sales@for-de.com.au

A: 1 Business Way, Malaga Western Australia 6090

## INTENDED USE

This product has limitations and should be used in accordance to these guidelines. Failure to follow these guidelines may result in damage to the product and injury to the user. It is the responsibility of the user to ensure the suitability of this product for its intended use. The user should consult their appropriate healthcare professional if unsure of the correct product usage for their unique circumstances.

Only use the All Terrain Compact Seat Walker for its intended purpose which is as a walking aid and a short term static seating solution.

The All Terrain Compact Seat Walker is designed to be used both inside and outside the home.

Refer to usage guideline page for information on how to use All Terrain Compact Seat Walker in a safe manner.



### IMPORTANT NOTE

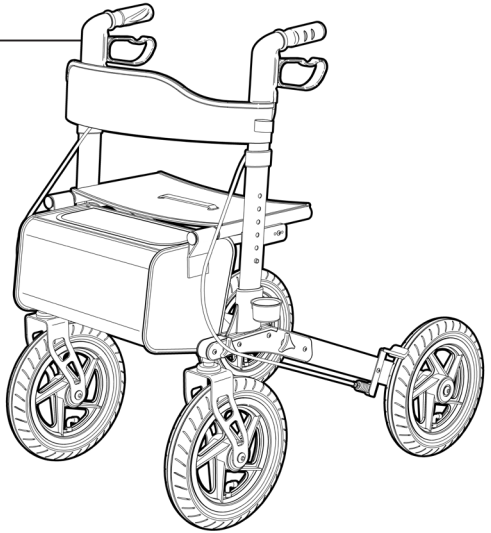
This equipment **MUST** be assembled for use and operated by a competent person.

# PRODUCT OVERVIEW

---

## FEATURES

- Strong lightweight construction
- User friendly loop brake handles
- Height adjustable handles
- Ergonomic handgrips to reduce pressure
- Brake + park brakes
- Simple brake cable adjustment
- Mesh seating
- Padded Backrest
- Large diameter wheels for excellent mobility
- Pneumatic tyres
- Swivelling front wheels
- Removable bag
- Walking stick holder
- Folds up for transit or storage



## SPECIFICATIONS (All dimensions shown are nominal)

Overall: **890mm L x 610mm W x 900mm H**

Overall Folded: **450mm L x 220mm W x 670mm H**

Handle Height: **900 - 1025mm (5 settings)**

Seat: **460mm W x 250mm D x 600mm H**

Wheel Diameter: **Ø305mm / 12"**

Carry Bag: **370mm L x 200mm W x 200mm D**

Weight: **11kg**

Maximum User Weight: **136kg**

Please contact **REDGUM Brand** if you would like any further information on the All Terrain Compact Seat Walker.

# SET UP - UNPACK and INSPECT SUPPLIED PARTS

Ensure you have been supplied with the following parts:

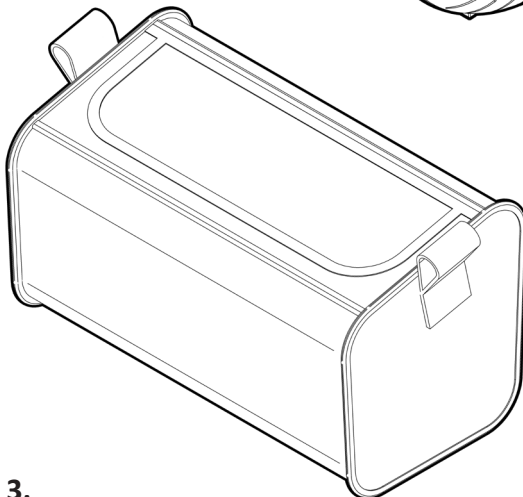
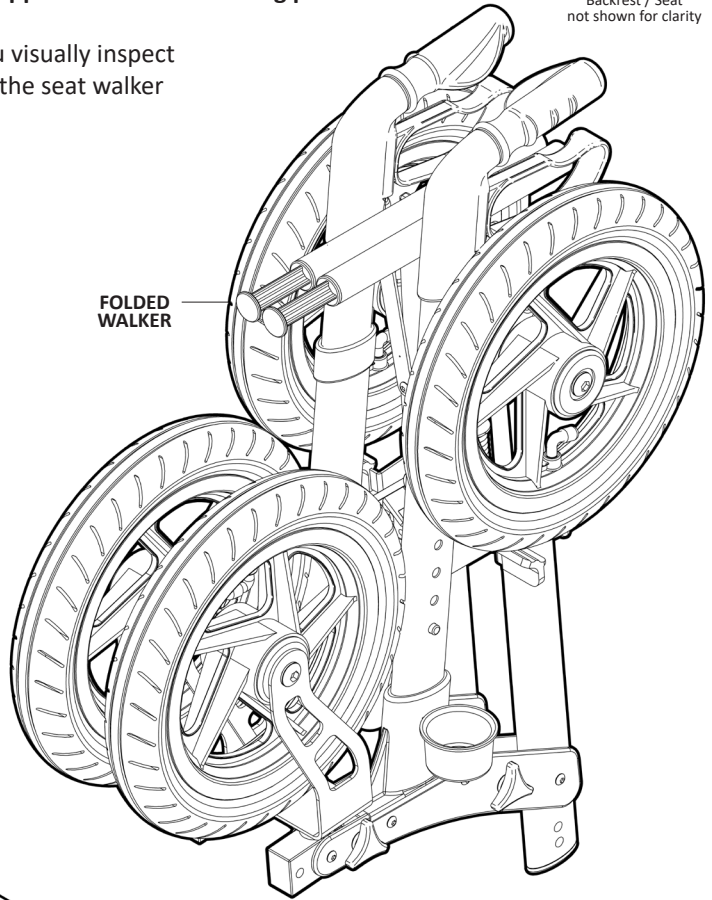
We recommend that you visually inspect the following aspects of the seat walker prior to use:

- Framework
- Upholstery
- Wheels
- Brakes + cables

**IMPORTANT NOTE:**

If you see any damage or suspect a fault, **DO NOT USE THE PRODUCT** and contact your supplier for support.

Backrest / Seat  
not shown for clarity



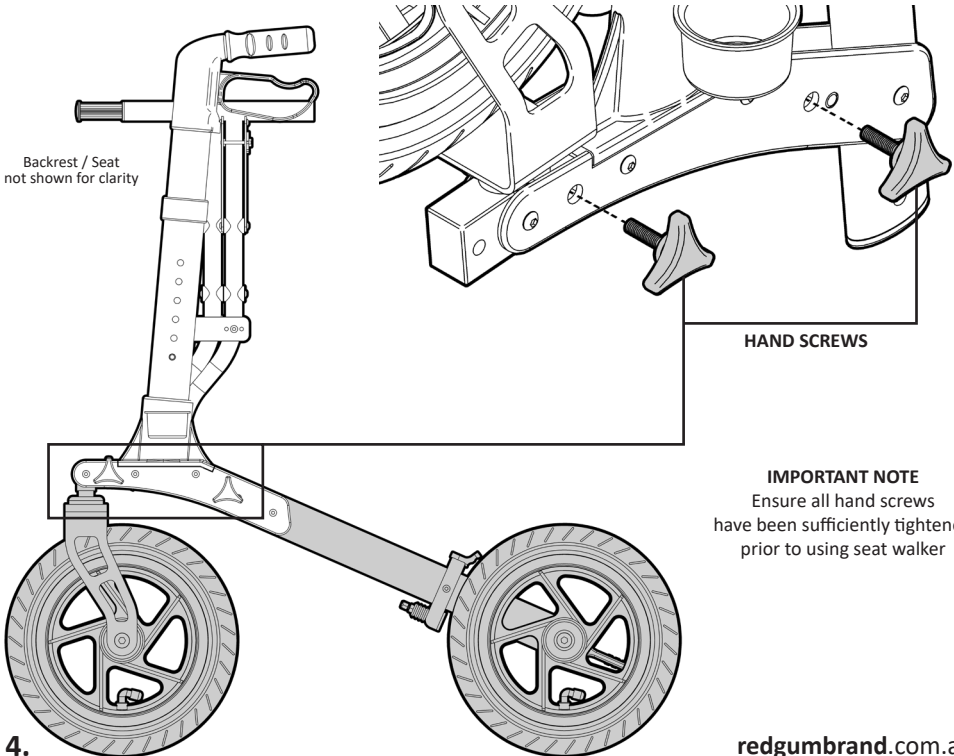
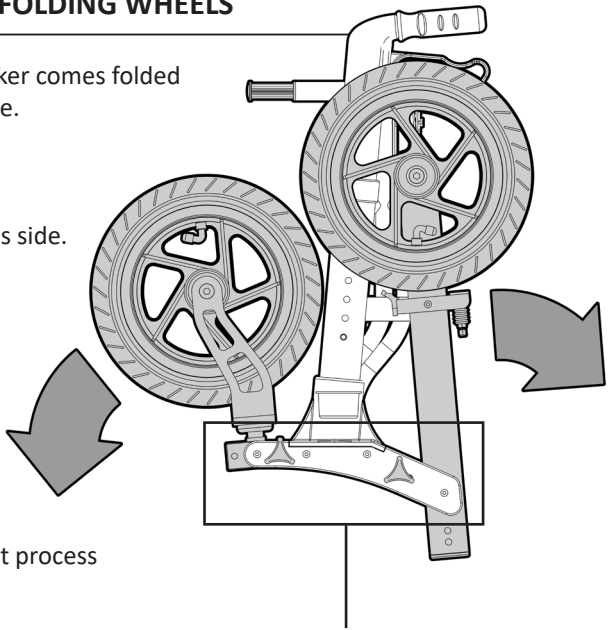
**TYRE PUMP included**  
(Not shown)

# SET UP - UNFOLDING / FOLDING WHEELS

The All Terrain Compact Seat Walker comes folded and requires unfolding prior to use.

Please follow these steps:

1. Lay the folded seat walker on its side.
2. Remove both hand screws.
3. Rotate front and rear wheels down as shown.
4. Fix wheels into place with hand screws.
5. Flip seat walker over and repeat process on other side.



# SET UP - UNFOLDING / FOLDING FRAME

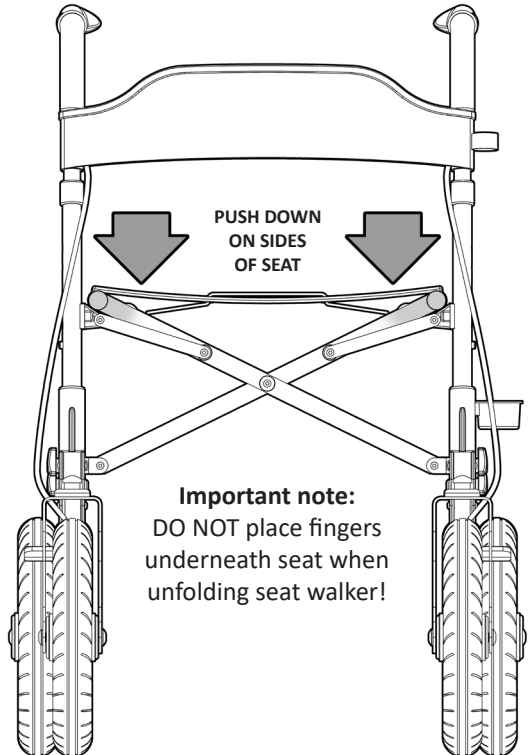
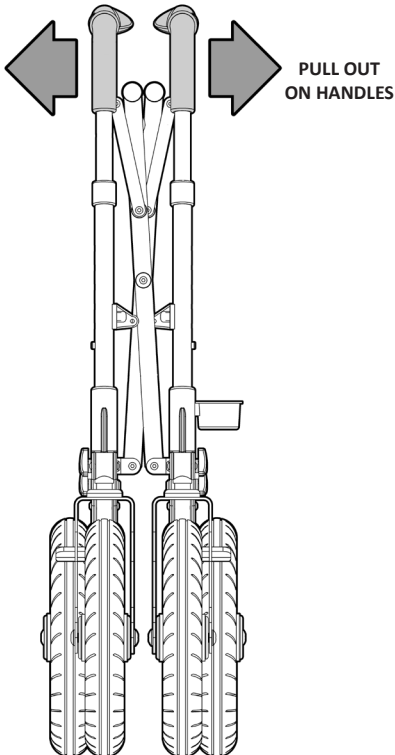
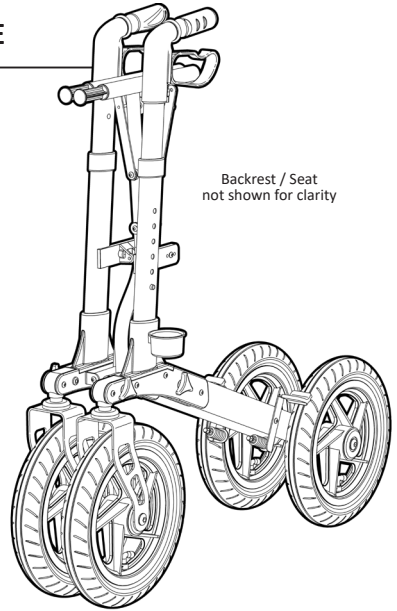
The All Terrain Compact Seat Walker requires unfolding prior to use.

Please follow these steps:

1. Pull **OUT** on both of the handles at the same time to open out the seat walker.
2. Push down firmly on the outside edges of seat until two loud clicks are heard.
3. Check to ensure seat walker is fully unfolded and locked in position prior to use.

To fold seat walker:

- Pull **UP** on handle in middle of seat.

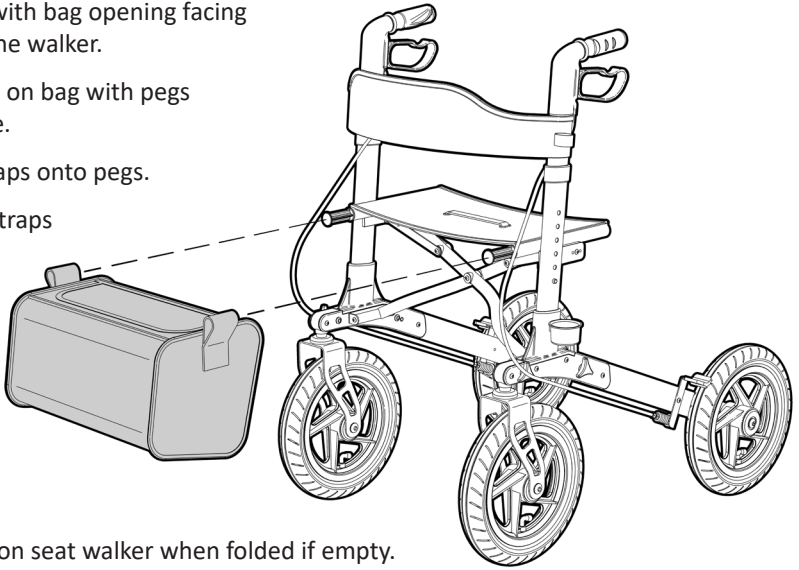




# SET UP- FIT BAG

The All Terrain Compact Seat Walker comes with a bag that can be attached to the front of the walker. Please follow these steps to fit bag correctly:

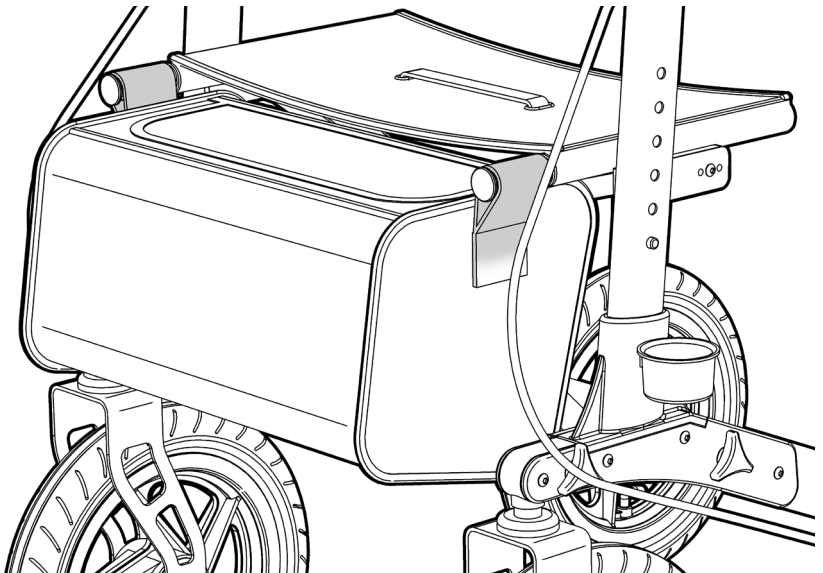
1. Position bag with bag opening facing the front of the walker.
2. Line up straps on bag with pegs on seat frame.
3. Slide both straps onto pegs.
4. Ensure both straps fully locate onto pegs.



**Note:**

Bag can remain on seat walker when folded if empty. If not empty remove from walker prior to folding.

**2kg Max.  
bag load**

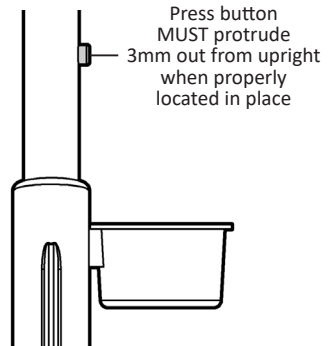
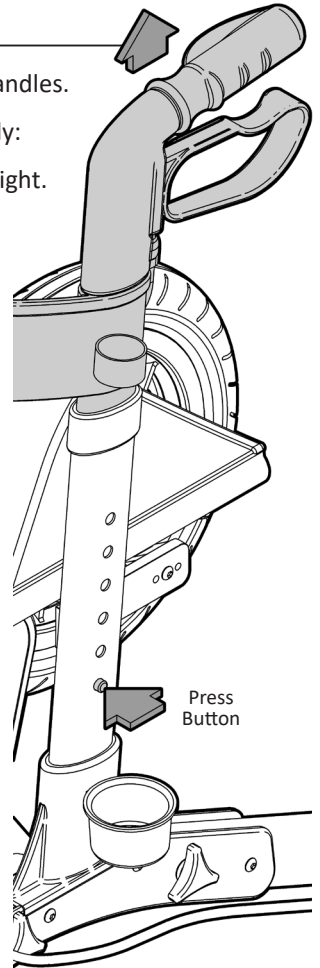
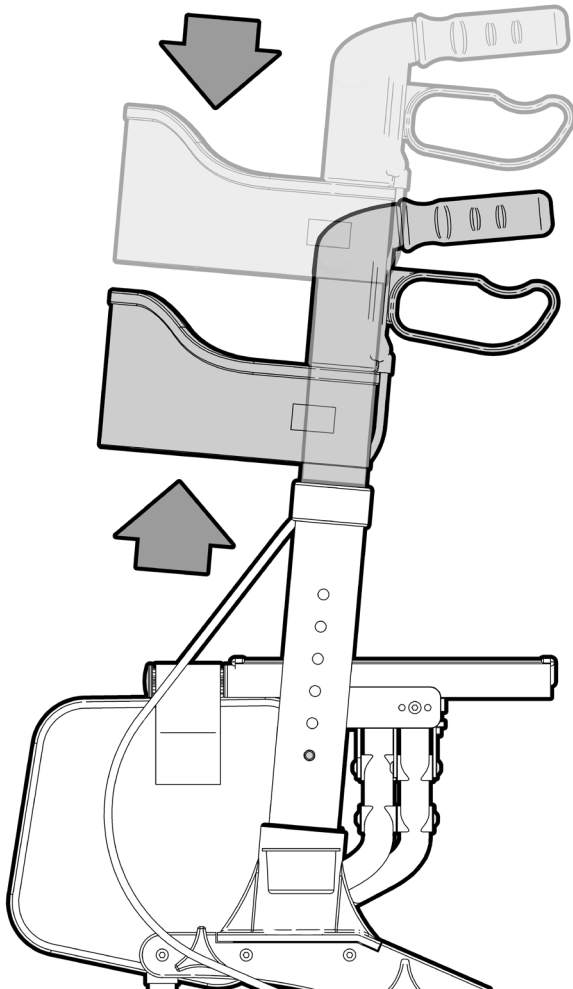


# OPERATION - HANDLE ADJUSTMENT

The All Terrain Compact Seat Walker has adjustable height handles.

Please follow these steps to adjust the handle height correctly:

1. Depress the push button located on the outside of the upright.
2. Move the handle to the required height.  
(You will need to depress the push button for every height setting change)
3. Check to ensure press button has fully engaged with hole prior to use.



# OPERATION - HAND BRAKES

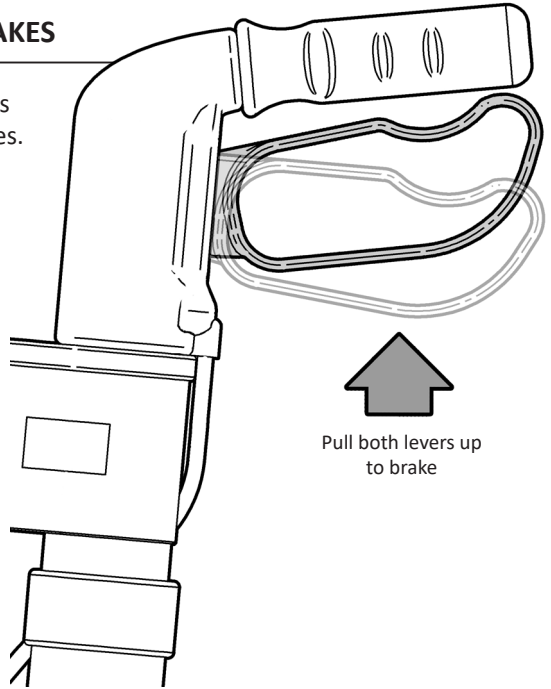
The All Terrain Compact Seat Walker has closed loop hand brakes on both handles.

## IMPORTANT NOTE

Both hand brakes should be used simultaneously to ensure your seat walker stops as required and you are in control.

To STOP, gently pull upwards on both brakes simultaneously. This will slow down and stop the seat walker.

Release both brakes to allow the seat walker to become mobile again.

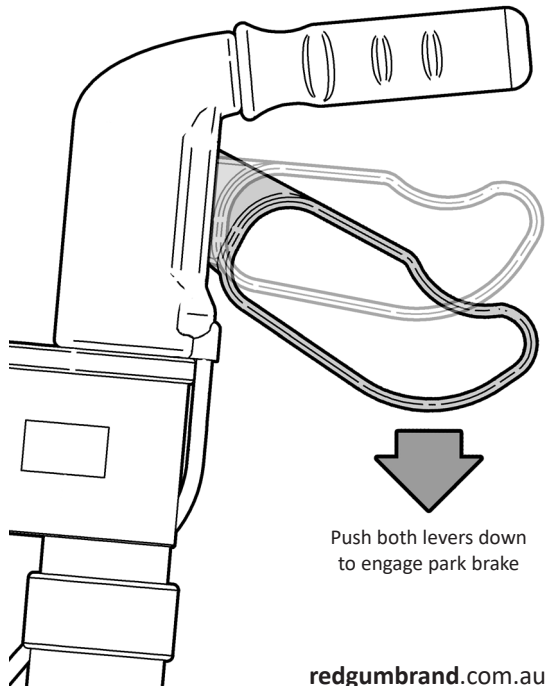


Pull both levers up  
to brake

The brakes on your seat walker also have a park brake option.

To engage the park brake: Push downwards on both brakes simultaneously. Push the brakes down until you hear

To unlock, simply pull the brakes up. You will hear a click as the 'park lock' disengages.



Push both levers down  
to engage park brake

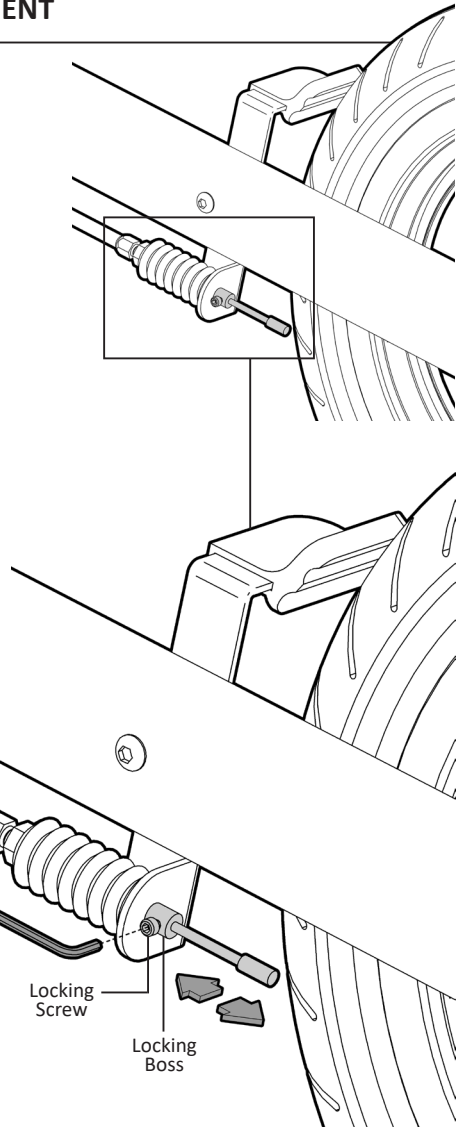
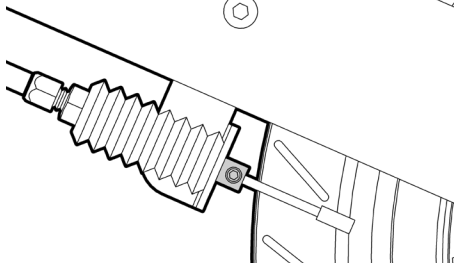
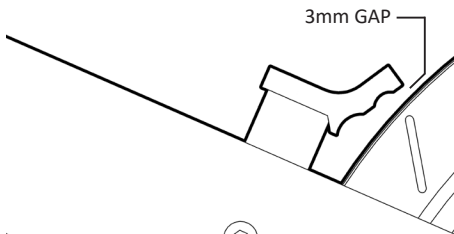
# OPERATION - BRAKE ADJUSTMENT

The All Terrain Compact Seat Walker brake system will require periodic adjustment.

Adjustment is required when either the brake or park brake no longer stops the rear wheel from spinning.

To adjust the brake:

1. Carefully release the locking screw using a suitable allen key (not supplied).
2. Adjust the brake arms until it clear the wheel by approx. 3 mm.
3. Re-position the locking boss to be hard up against the brake body.
4. Retighten the locking screw.
5. Check the brake to ensure the wheel stops spinning when the brake is on.
6. Repeat the brake adjustment procedure if required until brakes work as required.



When adjusted the brakes should work in both normal braking and in parking mode.

# USAGE GUIDELINES - DO's + DON'TS

---

Please follow these guidelines to get the optimal benefit from the All Terrain Compact Seat Walker. Failure to follow these guidelines may result in damage to the seat walker and put the user at risk.

The All Terrain Compact Seat Walker is designed to take 136kg Maximum Load.  
Do not overload the seat walker!  
Do not overload the bag - 2kg max loading.

Pinch points do exist on this product - Please keep hands and any other body parts away from moving parts when adjusting the seat walker.

Always adjust the handle heights to suit the user.

Always engage the park brakes when user is getting on or off the seat walker.  
When in use always engage the park brakes on the seat walker when stationary.

Please take extra care when taking the seat walker offroad.

Go up or down inclines directly. Do not try to cross on an angle as this will cause instability and the seat walker may tip over.

All four wheels should always remain on the ground.

The seat walker is not intended to be self propelled while seated.

## **IMPORTANT NOTE**

Do not fit any parts or accessories to the All Terrain Compact Seat Walker that are manufactured by another company. To do so will void your warranty and may seriously compromise your safety.

If you have any issues or questions about the All Terrain Compact Seat Walker please contact your supplier or REDGUM Brand direct.



# PRODUCT CARE - INSPECTIONS / CLEANING

---

## INSPECTIONS

We suggest that the All Terrain Compact Seat Walker is visually checked periodically for signs of damage or wear prior to use. Overall check that no components are loose or worn.

Check the tyre pressure periodically: **35 P.S.I (240 kPa / 2.5 Bar)**



**Withdraw the seat walker immediately if you suspect damage or any other fault. If in any doubt, please do not issue or use, but immediately contact your supplier for service support.**

## CLEANING

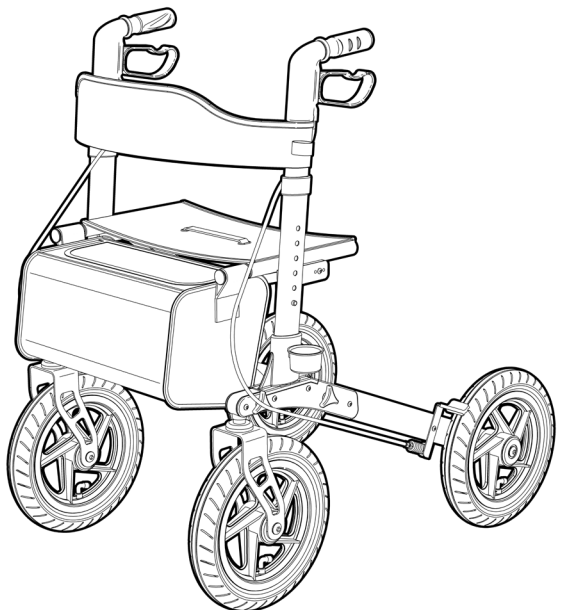
Clean the All Terrain Compact Seat Walker using a non-abrasive cleaner or mild detergent with a soft cloth.

Abrasive cleaners or abrasive cleaning pads could damage the seat walker and should not be used.

Bag can be removed and machined washed if required:  
Cold water wash - gentle cycle with mild detergent.  
Tumble dry on lowest temperature.

Spot clean any small marks with mild soap and water then allow to air dry.

If you have any issues or questions about the All Terrain Compact Seat Walker please contact your supplier or REDGUM Brand direct.



# WARRANTY

---

The REDGUM Brand:

## **RG4412 - All Terrain Compact Seat Walker**

is covered by a **12 Month Warranty** from the date of purchase.

If the product has any manufacturing faults during this period contact the place of purchase for assessment. Failures as a result of **ACCIDENTAL MISUSE, MODIFICATION OR WEAR AND TEAR ARE NOT COVERED BY THIS WARRANTY.**

Our goods come with guarantees that cannot be excluded under the Australian Consumer Law. You are entitled to a replacement part for a major failure and for compensation for any other reasonably foreseeable loss or damage. You are entitled to have the goods repaired or replaced if the goods fail to be of acceptable quality and failure does not amount to major failure.

If you have any issues or questions about the All Terrain Compact Seat Walker please contact your supplier or REDGUM Brand direct on:

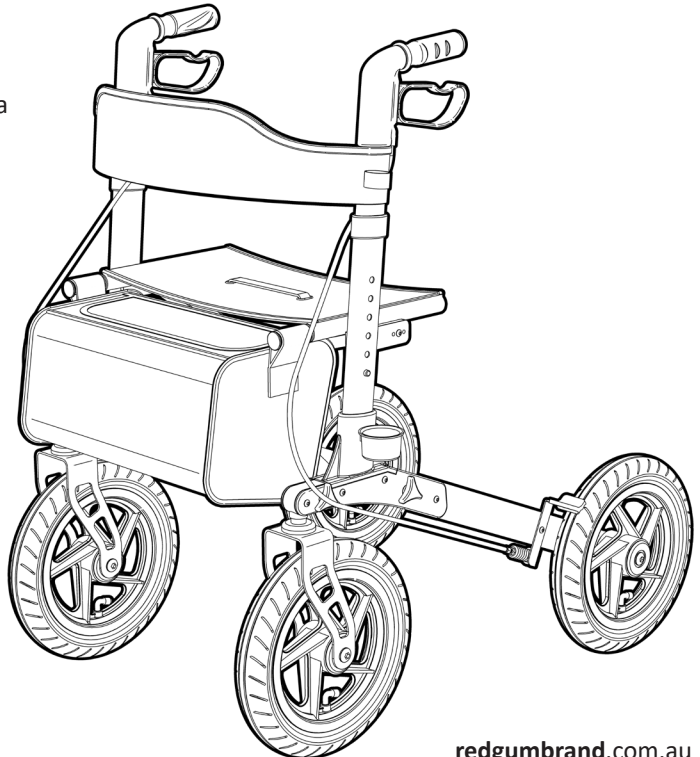
T: +61 8 9248 4180

F: +61 8 9248 9452

E: sales@for-de.com.au

A: 1 Business Way, Malaga  
Western Australia 6090

**Please keep this  
User Manual  
in a safe place  
for future reference.**



**DISTRIBUTOR:**

**REDGUM** BRAND  
*Daily Living and  
Lifestyle Products*



**Proudly Australian Owned and Operated**

[redgumbrand.com.au](http://redgumbrand.com.au)