

Thank you for purchasing this REDGUM Brand product. If you have any issues or questions about the suction cup grab rail please contact your supplier or REDGUM Brand direct:

T: +61 8 9248 4180 E: [orders@for-de.com.au](mailto:orders@for-de.com.au)

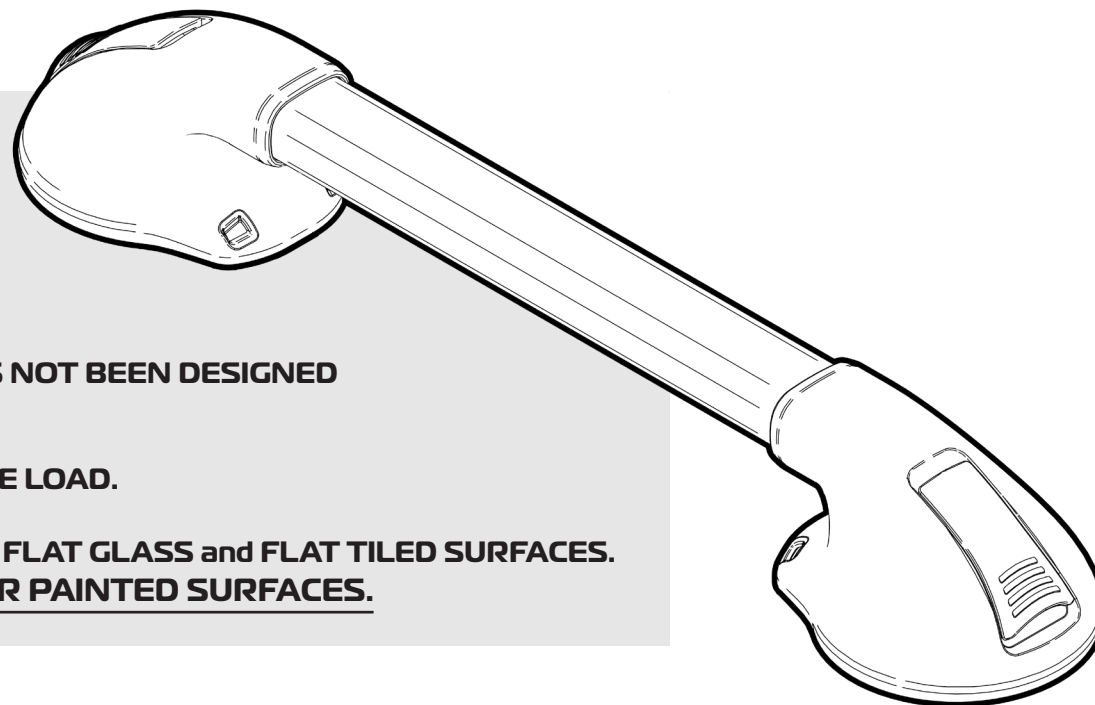
## IMPORTANT NOTE

**PLEASE READ AND FOLLOW THESE INSTRUCTIONS BEFORE INSTALLATION AND PRODUCT USAGE.**

**THIS PRODUCT HAS LIMITATIONS!  
THE SUCTION CUP GRAB RAIL IS A SUPPORTING AID AND HAS NOT BEEN DESIGNED TO TAKE A FULL PERSONS BODY WEIGHT.**

**IT IS NOT A LOAD BEARING PRODUCT: 65kg MAX. SUPPORTIVE LOAD.**

**THIS PRODUCT IS ONLY SUITABLE FOR USE ON NON POROUS FLAT GLASS and FLAT TILED SURFACES.  
NOT SUITABLE FOR USE ON TEXTURED GLASS / TILES OR PAINTED SURFACES.**



Actual product supplied is subject to change and may vary from the product shown.

## INTENDED USE

This product has limitations and should be used in accordance to these guidelines. Failure to follow these guidelines may result in damage to the product and injury to the user. It is the responsibility of the user to ensure the suitability of this product for its intended use. The user should consult their appropriate healthcare professional if unsure of the correct product usage for their unique circumstances.

## INSPECT SUPPLIED PARTS

If you see any damage or suspect a fault, DO NOT USE THE PRODUCT and contact your supplier for support.

Please turn over for more instructions

*ASK FOR THE BRAND*

**redgumbrand.com.au**

### PRIOR TO INSTALLATION:

- CHECK BOTH SUCTION CUPS - Ensure they are clean, dry and free from debris. (Image 1.)
- Ensure the surface where the grab rail is to be located is FLAT, SMOOTH, CLEAN, DRY and NON POROUS (Image 2/3.)
- Ensure the suction cups are NOT going to be positioned over grout lines when located on a tiled surface. (Image 4.)

### For improved suction:

Apply a small amount of soap on the suction cup prior to installation.



Image 1.

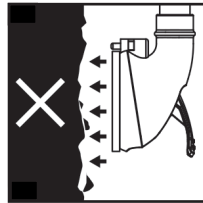


Image 2.

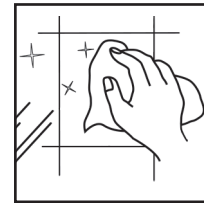


Image 3.

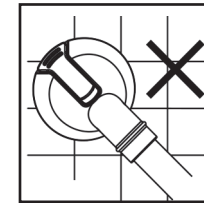
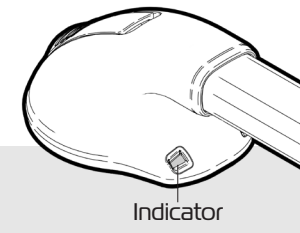


Image 4.

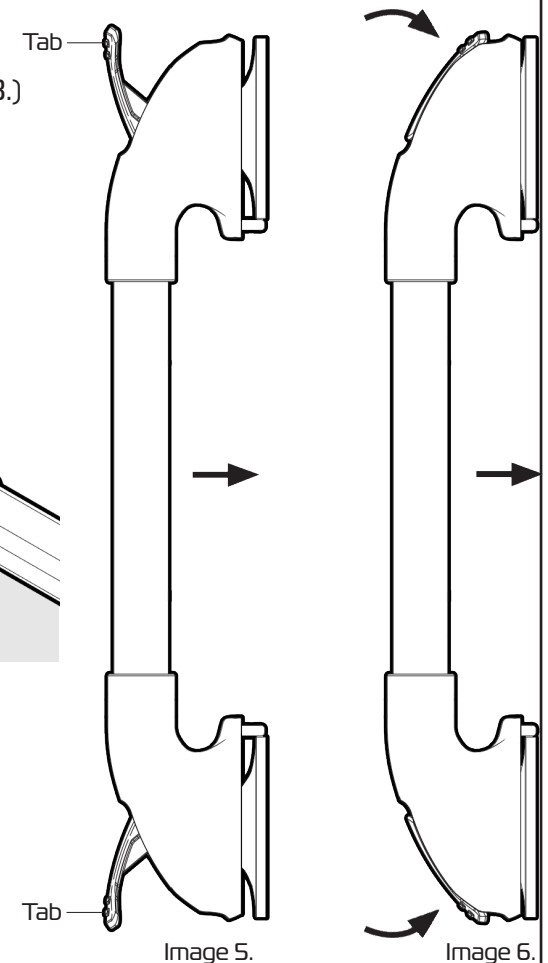
### INSTALLATION:

- Lift the tabs on either end. (Image 5.)
- Position grab rail onto flat surface.
- Push grab rail hard onto surface and at same time push tabs down on either end. (Image 6.)

- Visually inspect indicators: If indicator is showing GREEN = Successful Installation : )  
If indicator is showing RED = Installation needs to be redone : (



Indicator



**IMPORTANT NOTE:** CHECK GRAB RAIL IS SECURED PROPERLY TO WALL PRIOR TO EACH USE. IF THE GRAB RAIL APPEARS TO BE LOOSE - REINSTALL UNTIL SECURE.

### CLEANING

We recommend that you attend to any required cleaning as soon as possible to reduce the possibility of staining. Clean the suction cup grab rail using anti bacterial wipes. Abrasive cleaners or abrasive cleaning pads could damage the grab rail and should not be used. If you have any questions about the cleaning of the product please contact your supplier or REDGUM brand direct.

### WARRANTY

**Redgum brand suction cup grab rails (RG5912 / RG5918 / RG5924) are covered by a 12 Month Warranty** from the date of purchase.

If the product has any manufacturing faults during this period contact the place of purchase for assessment. Failures as a result of ACCIDENTAL MISUSE, MODIFICATION OR WEAR AND TEAR ARE NOT COVERED BY THIS WARRANTY. Our goods come with guarantees that cannot be excluded under the Australian Consumer Law. You are entitled to a replacement part for a major failure and for compensation for any other reasonably foreseeable loss or damage. You are entitled to have the goods repaired or replaced if the goods fail to be of acceptable quality and failure does not amount to major failure. Do not modify or fit any parts or accessories to the grab rail that are manufactured by another company. To do so will void your warranty and may seriously compromise your safety.