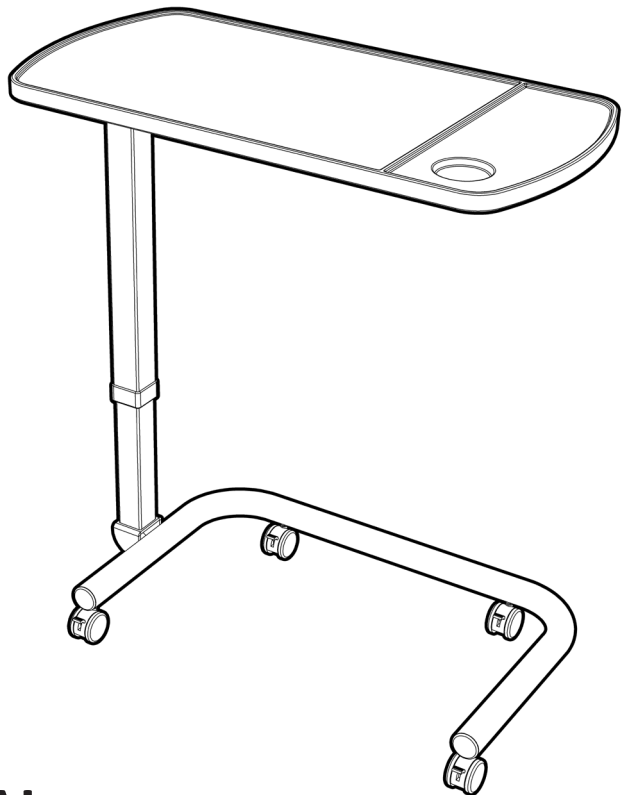


# OVER BED / CHAIR TABLE

RG622

OCTOBER 2019



## USER MANUAL

---

Please read and keep these instructions



**REDGUM Brand** owns the **copyright** to the Over Bed / Chair Table user manual. Any information contained in this user manual shall not be photocopied, reproduced or translated into any other languages without the prior written consent of REDGUM Brand.

**REDGUM Brand** strives to provide the highest quality products possible. Products are subject to change without notice.

© Copyright **REDGUM Brand** 2019



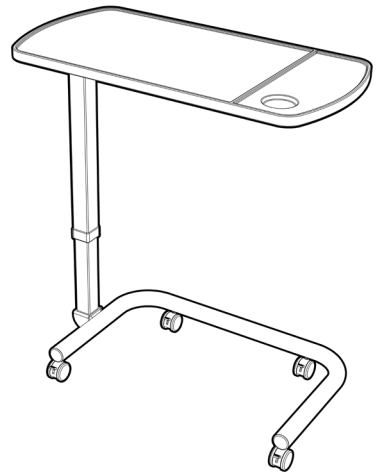
**REDGUM Brand** is part of **FOR-DE Group Pty Ltd**

[redgumbrand.com.au](http://redgumbrand.com.au)

# CONTENTS

---

1. **INTRODUCTION** - INTENDED USE
2. **PRODUCT OVERVIEW** - FEATURES / SPECIFICATIONS
3. **ASSEMBLY** - UNPACK and INSPECT SUPPLIED PARTS
4. **ASSEMBLY** - ADJUSTMENT LEVER INSTALLATION
5. **ASSEMBLY** - PLATFORM INSTALLATION
6. **ASSEMBLY** - BASE INSTALLATION
7. **OPERATION** - HEIGHT ADJUSTMENT
8. **OPERATION** - LOCKING CASTORS
9. **USAGE GUIDELINES** - DO's + DON'Ts
10. **PRODUCT CARE** - INSPECTIONS / CLEANING
11. **WARRANTY**
12. **REDGUM BRAND** PRODUCT RANGE



# INTRODUCTION

---

Thank you for purchasing this quality **REDGUM Brand** product.

If you have any issues or questions about the Over Bed / Chair Table please contact your supplier or REDGUM Brand direct:

T: +61 8 9248 4180

F: +61 8 9248 9452

E: sales@for-de.com.au

A: 1 Business Way, Malaga Western Australia 6090

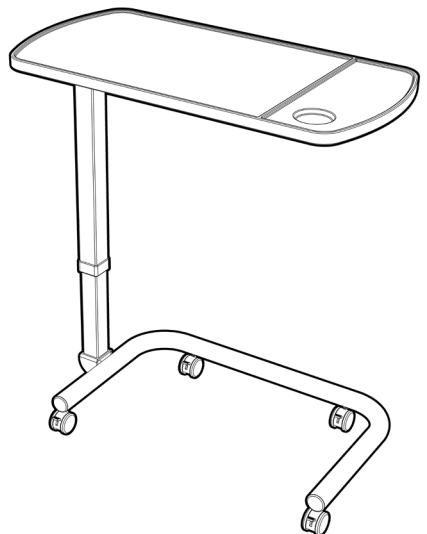
## INTENDED USE

This product has limitations and should be used in accordance to these guidelines. Failure to follow these guidelines may result in damage to the product and injury to the user. It is the responsibility of the user to ensure the suitability of this product for its intended use. The user should consult their appropriate healthcare professional if unsure of the correct product usage for their unique circumstances.

Only use your Over Bed / Chair Table for the purpose for which it is intended, which is as a lightweight platform that can be positioned to suit the user's individual requirements.

### IMPORTANT NOTE

This equipment **MUST** be assembled by a competent person.

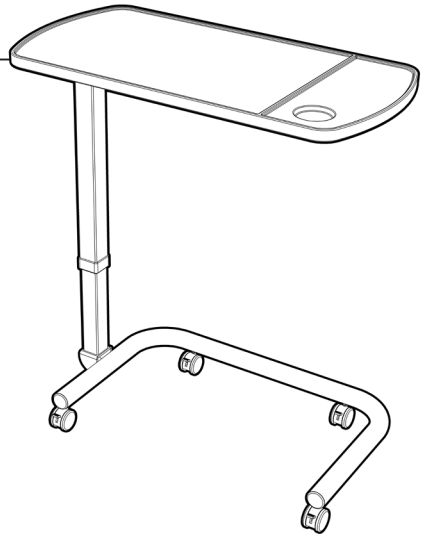


# PRODUCT OVERVIEW

---

## FEATURES

- Plastic platform with retaining lip
- Easy clean sealed platform surface
- Positive locking adjustable height platform
- Large adjustment lever
- Practical 'U' shaped base frame to fit around chairs
- Low clearance base to fit under beds
- Twin wheel locking castors
- Beige Epoxy powder coated metal frame
- Chrome mild steel upright



## SPECIFICATIONS

(All dimensions shown are nominal)

Dimensions:

Platform Width: **825mm**

Platform Depth: **425mm**

Height: **820 - 1120mm**

Base Frame Height: **100mm**

Base Frame Width (internal): **640mm**

Castors: **Ø50mm plastic twin wheel locking Castors**

Product Weight: **11kg**

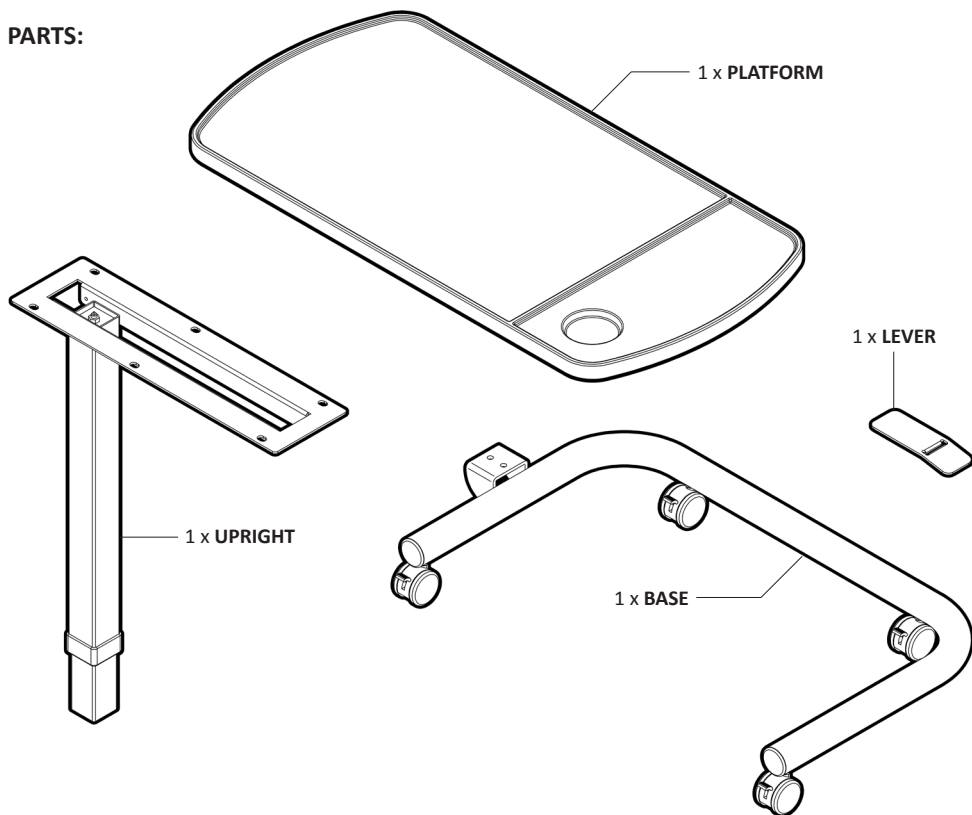
Maximum Weight Loading: **12kg - evenly distributed**

Please contact **REDGUM Brand** if you would like any further information on your Over Bed / Chair Table.

# ASSEMBLY - UNPACK and INSPECT SUPPLIED PARTS

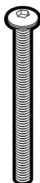
Ensure you have been supplied with the following parts:

## PARTS:

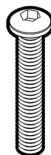


## FASTENERS (Not shown to scale)

1 x  
LONG BOLT



2 x  
MEDIUM BOLT



6 x  
SHORT BOLT



8 x  
WASHER



1 x  
NUT



2 x  
SPACER



## TOOLS SUPPLIED

- SMALL ALLEN KEY
- LARGE ALLEN KEY
- SPANNER

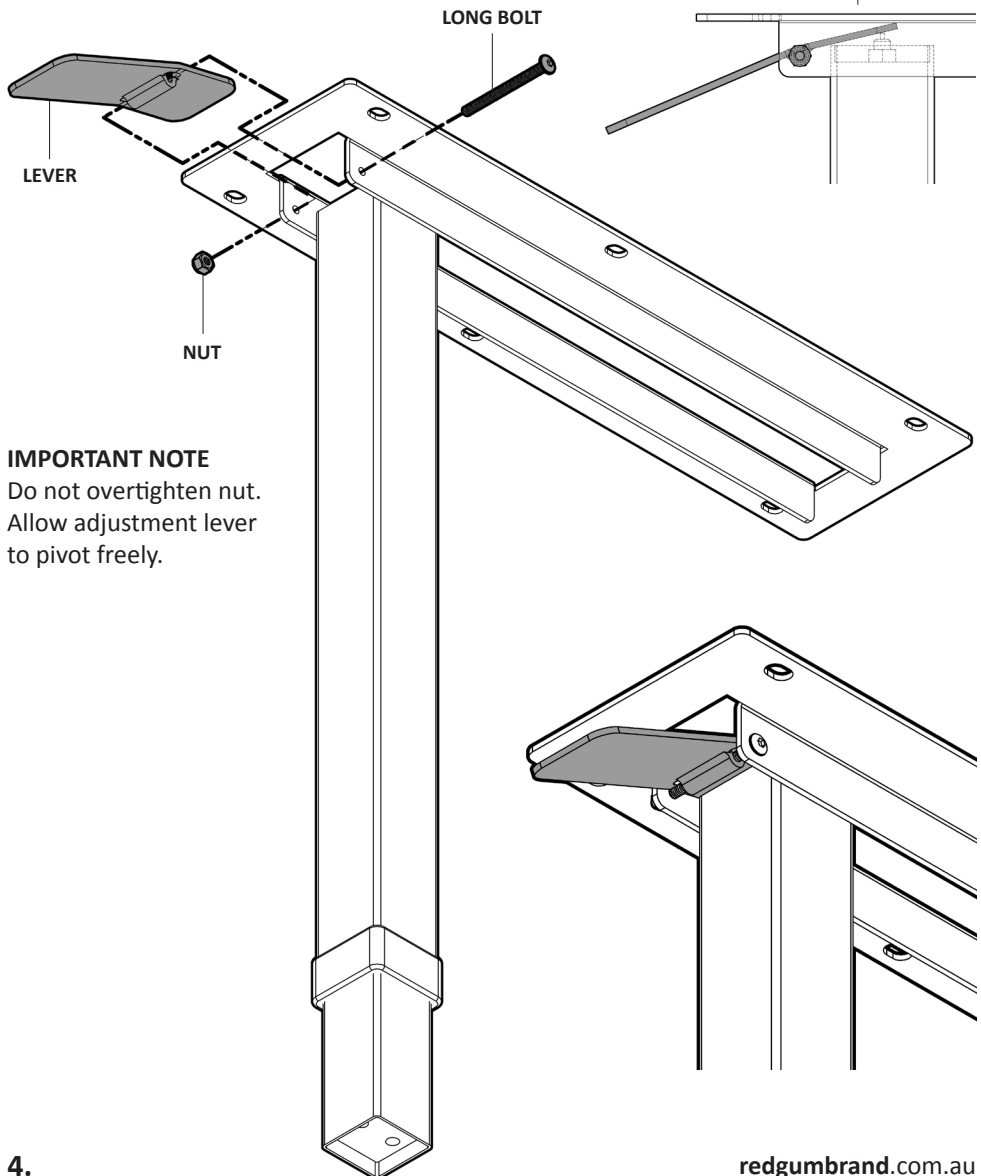
## IMPORTANT NOTE

Check the product for any visible damage. If you see any damage or suspect a fault, **DO NOT USE YOUR PRODUCT** and contact your supplier for support.

# ASSEMBLY- ADJUSTMENT LEVER INSTALLATION

The height adjustment lever requires assembly prior to use. Please follow these steps:

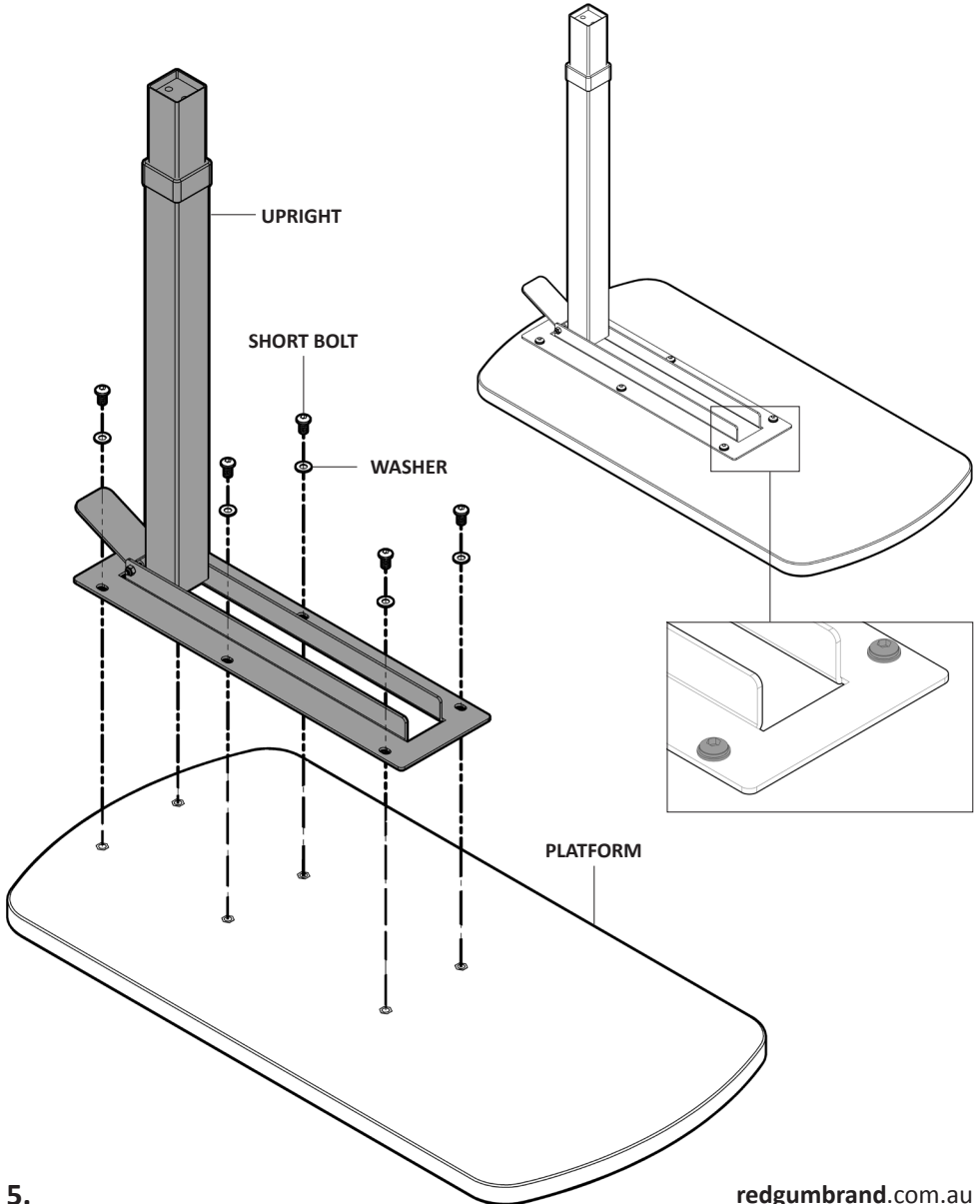
1. Orientate the LEVER so it is the correct way up and right way round (refer to side view image),
2. Use the LONG BOLT to fix lever in place,
3. Attach NUT - Use Small Allen Key and Spanner to tighten.



# ASSEMBLY- PLATFORM INSTALLATION

The platform requires assembly prior to use. Please follow these steps:

1. Lay the PLATFORM on a flat surface (mounting holes facing up),
2. Position the UPRIGHT onto the platform (line up the holes),
3. Screw in 6 x SHORT BOLTS with WASHERS - Use Large Allen Key to tighten.

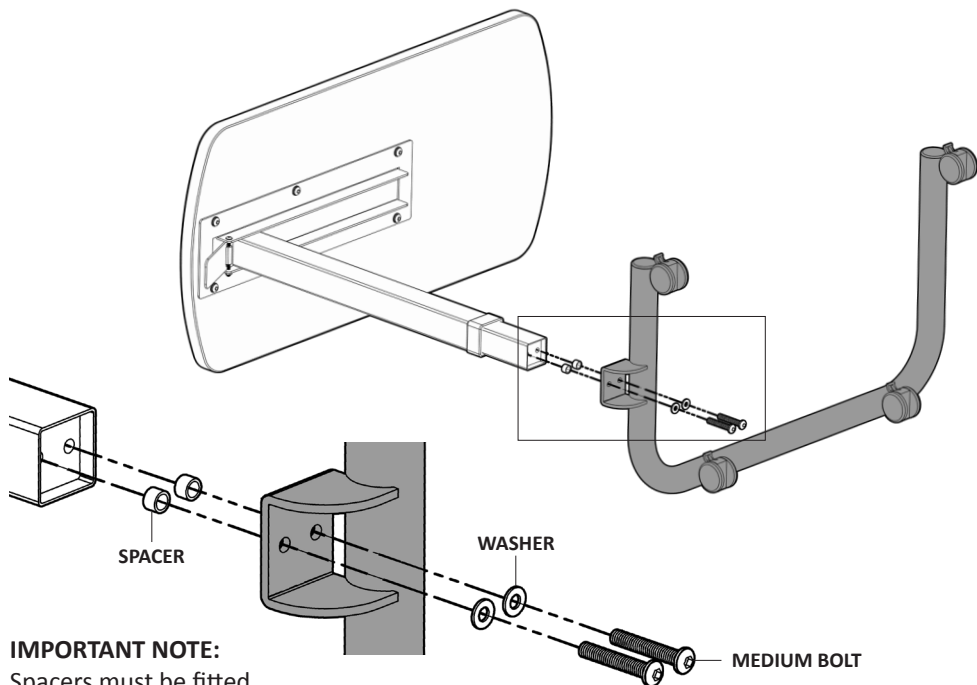




# ASSEMBLY - BASE INSTALLATION

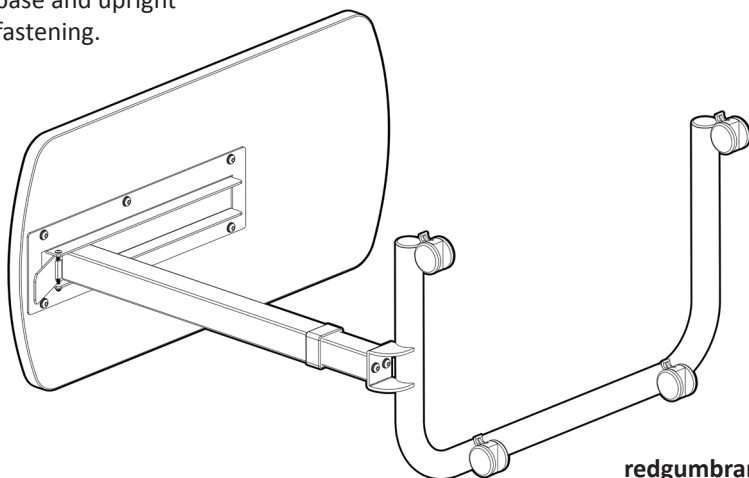
The base requires assembly prior to use. Please follow these steps:

1. Lay the ASSEMBLED PLATFORM and UPRIGHT on its side,
2. Orientate the BASE so it is the correct way up and right way round (refer to image below),
2. Using the 2 x MEDIUM BOLTS / WASHERS / SPACERS - Fix the base in place,
3. Use Large Allen Key to tighten bolts.



## IMPORTANT NOTE:

Spacers must be fitted between base and upright PRIOR to fastening.



# OPERATION - HEIGHT ADJUSTMENT

---

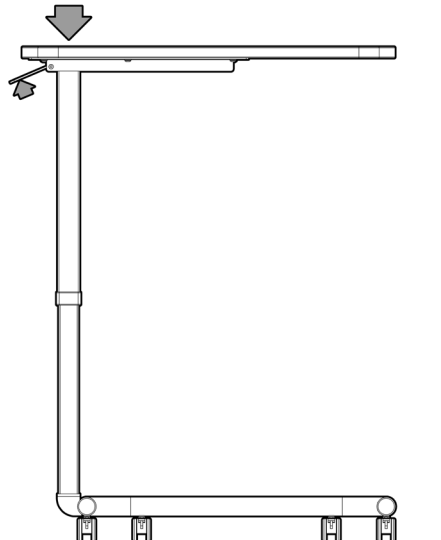
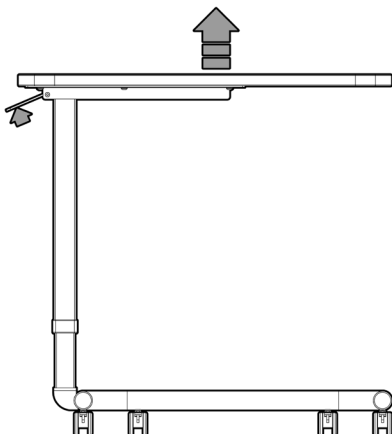
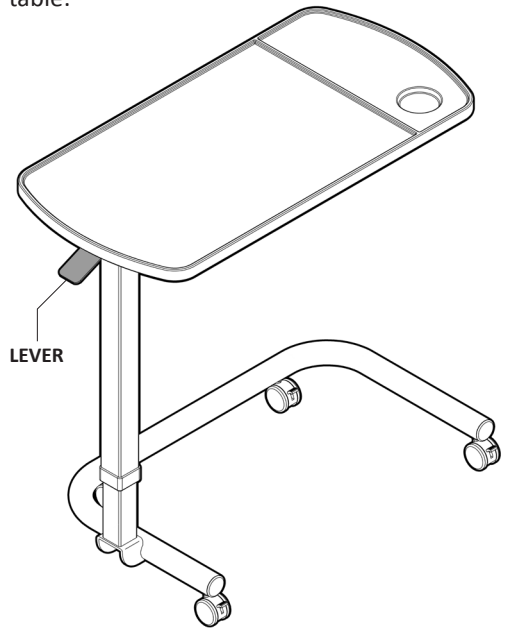
To adjust the height of the Over Bed / Chair table:

To **RAISE** the platform height:

1. Pull the lever up,
2. Platform will rise automatically,
3. Release the lever to set the height.

To **LOWER** the platform height:

1. Pull the lever up,
2. Apply downward force to the platform above the upright,
3. Release the lever to set the height.

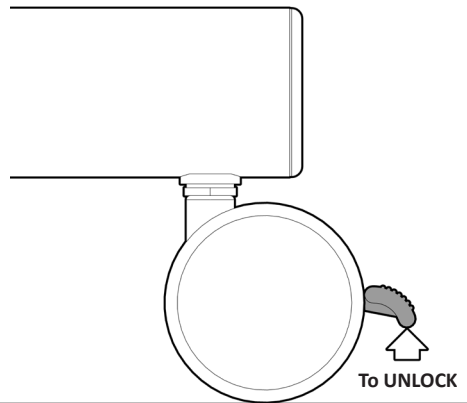
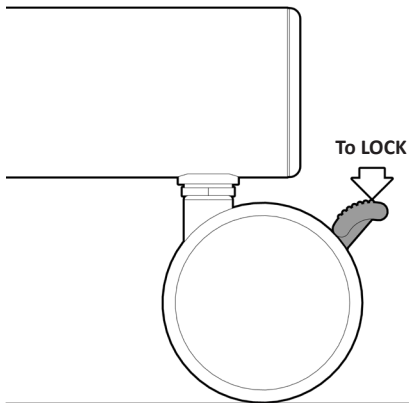
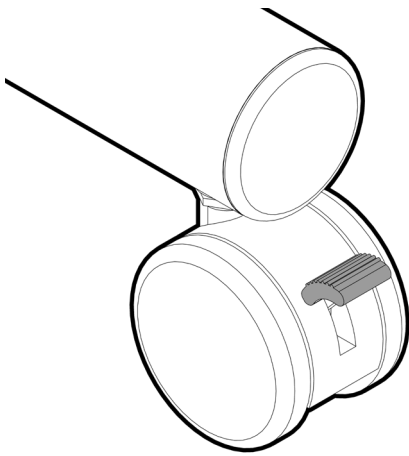
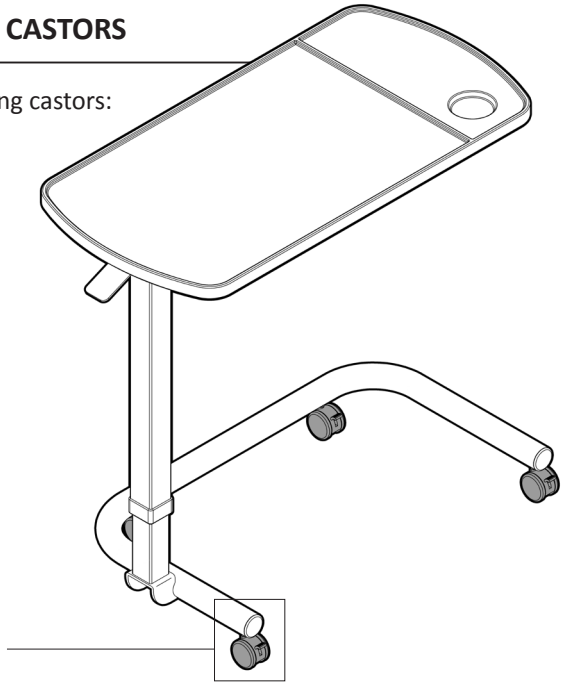


# OPERATION - LOCKING CASTORS

The Over Bed / Chair Table has 4 locking castors:

To **LOCK** the castor:  
Using your foot - press **DOWN**  
on the brake pedal.

To **UNLOCK** the castor:  
Using your foot - push **UP**  
on the brake pedal.



# USAGE GUIDELINES - DO's + DON'TS

---

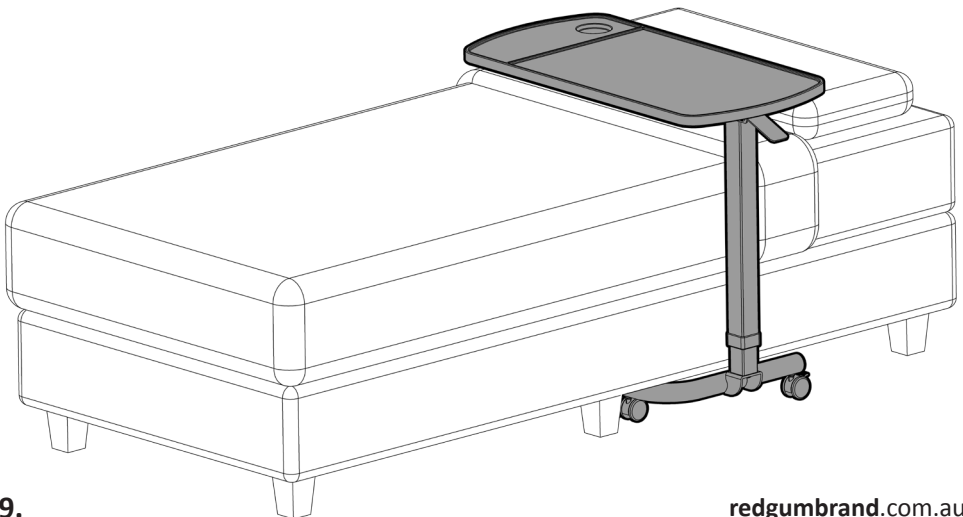
Please follow these guidelines to get the optimal benefit from your Over Bed / Chair Table.

Failure to follow these guidelines may result in damage to the Over Bed / Chair Table and put the user at risk.

The Over Bed / Chair Table is designed to take 12kg Maximum Load (evenly distributed). Do not overload the table.

This product is designed for INDOOR USE only.

Do not use this product as a walking aid or as a sitting / standing aid.



# PRODUCT CARE - INSPECTIONS / CLEANING

---

## INSPECTIONS

We suggest that you check your Over Bed / Chair Table visually periodically for signs of damage or wear prior to use. Overall check that no components are loose or worn.



**Withdraw the Over Bed/ Chair Table immediately if you suspect damage or any other fault. If in any doubt, please do not issue or use, but immediately contact your supplier for service support.**

## IMPORTANT NOTE

Do not fit any parts or accessories to your Over Bed / Chair Table that are manufactured by another company. To do so will void your warranty and may seriously compromise your safety.

## CLEANING

Clean your Over Bed / Chair Table using a non-abrasive cleaner or mild detergent with a soft cloth.

Abrasive cleaners or abrasive cleaning pads could damage the Over Bed / Chair Table and should not be used.



# WARRANTY

---

Your REDGUM Brand:

## **RG622 - OVER BED / CHAIR TABLE**

is covered by a **12 Month Warranty** from the date of purchase.

If the product has any manufacturing faults during this period contact the place of purchase for assessment. Failures as a result of **ACCIDENTAL MISUSE, MODIFICATION OR WEAR AND TEAR ARE NOT COVERED BY THIS WARRANTY.**

Our goods come with guarantees that cannot be excluded under the Australian Consumer Law. You are entitled to a replacement part for a major failure and for compensation for any other reasonably foreseeable loss or damage. You are entitled to have the goods repaired or replaced if the goods fail to be of acceptable quality and failure does not amount to major failure.

If you have any issues or questions about your Over Bed / Chair Table please contact your supplier or REDGUM Brand direct on:

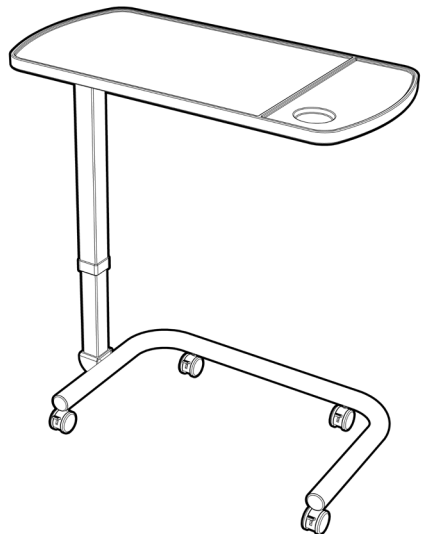
T: +61 8 9248 4180

F: +61 8 9248 9452

E: sales@for-de.com.au

A: 1 Business Way, Malaga  
Western Australia 6090

**Please keep this User Manual  
in a safe place for future reference.**

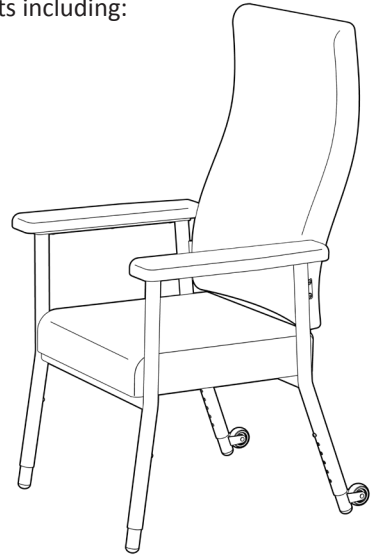


# REDGUM Brand - Product Range

---

REDGUM Brand offer a comprehensive range of products including:

- Seat Walkers**
- Walking Frames**
- Wheelchairs**
- Walking Sticks + Quads**
- Crutches**
- Reachers**
- Shower / Bathroom products**
- Toilet products**
- Cushions: Air / Foam**
- Electric Lift Chairs**
- Electric Beds**
- Portable / Fixed Aluminium Ramps**
- Exercisers**
- Personal Alarms**



REDGUM Brand stock a large range of Spare Parts for all REDGUM brand products.

Please contact REDGUM Brand for further information:

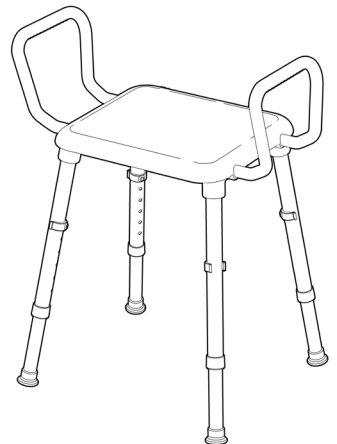
T: +61 8 9248 4180

F: +61 8 9248 9452

E: [sales@for-de.com.au](mailto:sales@for-de.com.au)

A: 1 Business Way, Malaga Western Australia 6090

W: [www.redgumbrand.com.au](http://www.redgumbrand.com.au)



**DISTRIBUTOR:**

**REDGUM** BRAND  
*Daily Living and  
Lifestyle Products*



**Proudly Australian Owned and Operated**

[redgumbrand.com.au](http://redgumbrand.com.au)