

# OVER BED / CHAIR TABLE

RG624

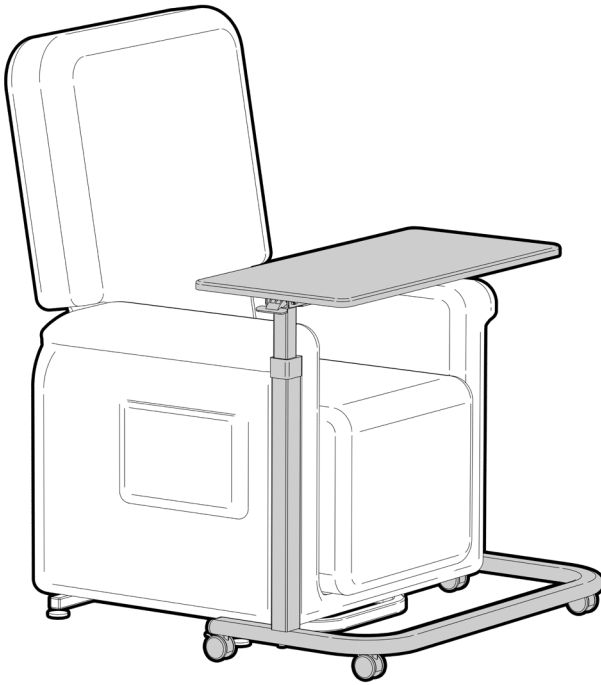
Edition 1



## USER MANUAL

---

Please read and keep these instructions



# **REDGUM** BRAND

*Daily Living and Lifestyle Products*

**REDGUM Brand** owns the **copyright** to the Over Bed / Chair Table user manual. Any information contained in this user manual shall not be photocopied, reproduced or translated into any other languages without the prior written consent of REDGUM Brand.

**REDGUM Brand** strives to provide the highest quality products possible. Products are subject to change without notice.

© Copyright **REDGUM Brand** 2021



**REDGUM Brand** is part of **FOR-DE Group Pty Ltd**

[redgumbrand.com.au](http://redgumbrand.com.au)

# CONTENTS

---

1. **INTRODUCTION** - INTENDED USE
2. **PRODUCT OVERVIEW** - FEATURES / SPECIFICATIONS
3. **ASSEMBLY** - UNPACK and INSPECT SUPPLIED PARTS
4. **ASSEMBLY** - CASTOR INSTALLATION
5. **ASSEMBLY** - UPRIGHT INSTALLATION
6. **ASSEMBLY** - PLATFORM INSTALLATION
7. **ASSEMBLY** - LEVER INSTALLATION
8. **OPERATION** - PLATFORM HEIGHT ADJUSTMENT
9. **OPERATION** - LOCKING CASTORS
10. **USAGE GUIDELINES** - DO's + DON'Ts
11. **PRODUCT CARE** - INSPECTIONS / CLEANING
12. **WARRANTY**



# INTRODUCTION

---

Thank you for purchasing this quality **REDGUM Brand** product.

If you have any issues or questions about the Over Bed / Chair Table please contact your supplier or REDGUM Brand direct:

T: +61 8 9248 4180

F: +61 8 9248 9452

E: sales@for-de.com.au

A: 1 Business Way, Malaga Western Australia 6090

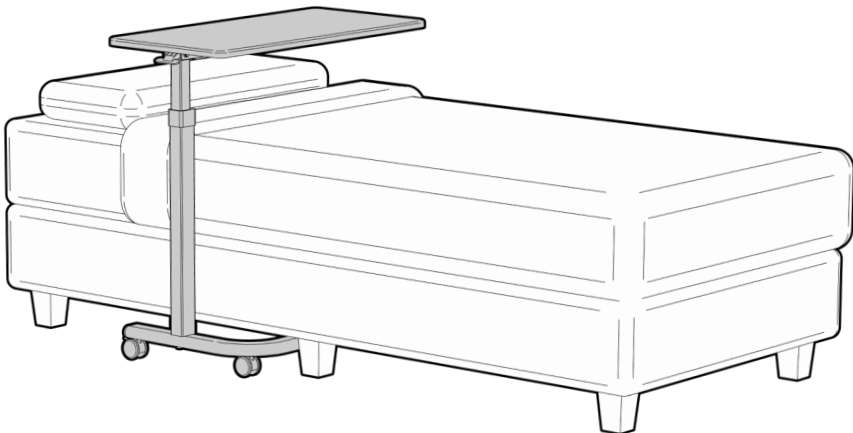
## INTENDED USE

This product has limitations and should be used in accordance to these guidelines. Failure to follow these guidelines may result in damage to the product and injury to the user. It is the responsibility of the user to ensure the suitability of this product for its intended use. The user should consult their appropriate healthcare professional if unsure of the correct product usage for their unique circumstances.

Only use your Over Bed / Chair Table for the purpose for which it is intended, which is as a platform that can be adjusted in height and positioned to suit the users individual requirements.

### IMPORTANT NOTE

This equipment **MUST** be assembled by a competent person.



# PRODUCT OVERVIEW

---

## FEATURES

- Stable working surface
- Easy clean surface - vinyl wrapped
- Height adjustable platform
- Low clearance base to fit under beds
- Twin wheel locking castors
- Epoxy powder coated metal frame
- Chrome mild steel upright
- Can be flat packed for storage or transport



## SPECIFICATIONS (All dimensions shown are nominal)

Dimensions:

Platform Width: **805mm**

Platform Depth: **385mm**

Platform Height: **715 - 1125mm**

Base Frame Width (internal): **800mm**

Base Frame Height: **90mm**

Castors: **Ø50mm plastic twin wheel locking castors**

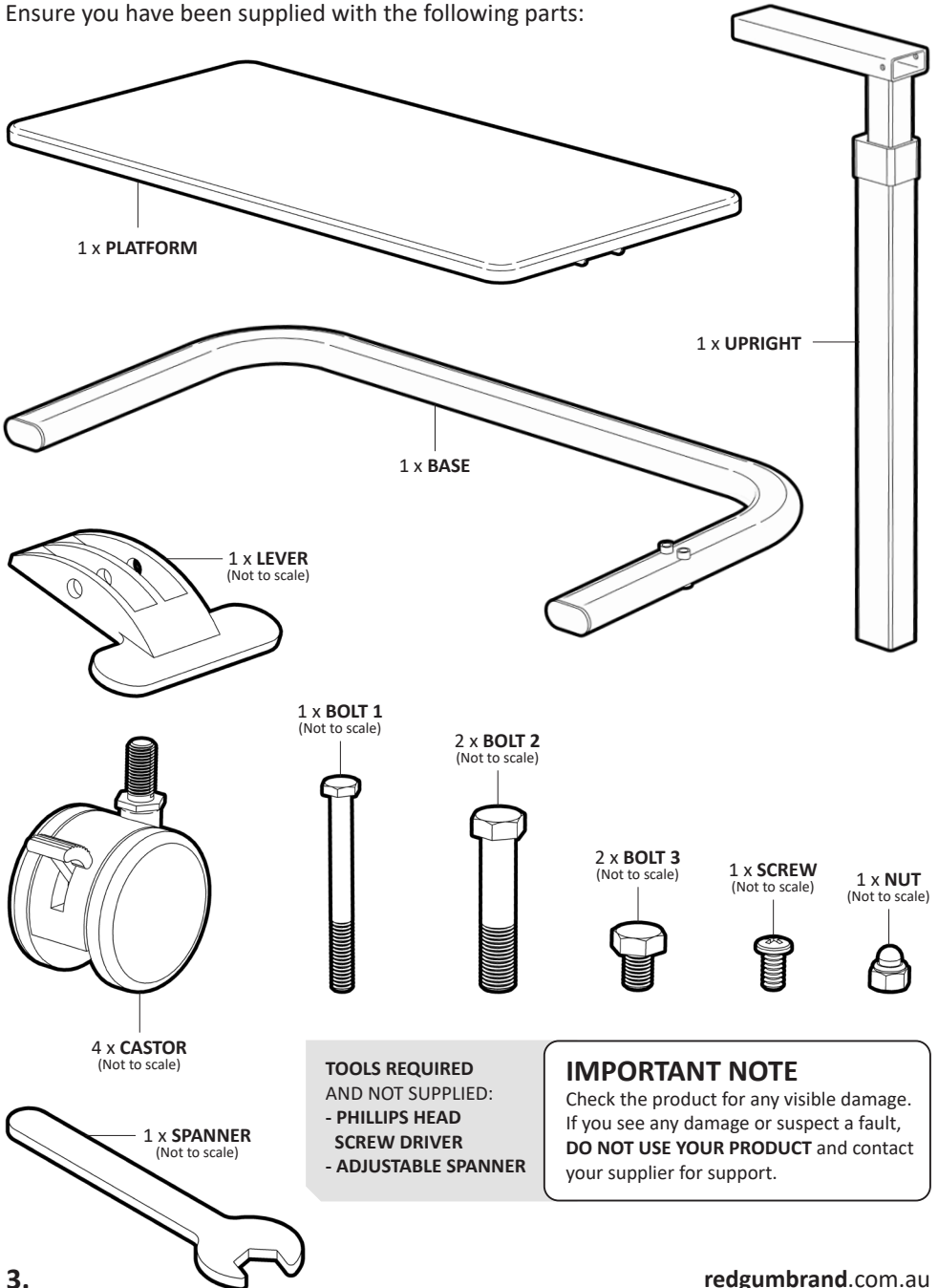
Product Weight: **11kg**

Maximum Weight Loading: **12kg - evenly distributed**

Please contact **REDGUM Brand** if you would like any further information on your Over Bed / Chair Table.

# ASSEMBLY- UNPACK and INSPECT SUPPLIED PARTS

Ensure you have been supplied with the following parts:



**TOOLS REQUIRED  
AND NOT SUPPLIED:**  
- PHILLIPS HEAD  
SCREW DRIVER  
- ADJUSTABLE SPANNER

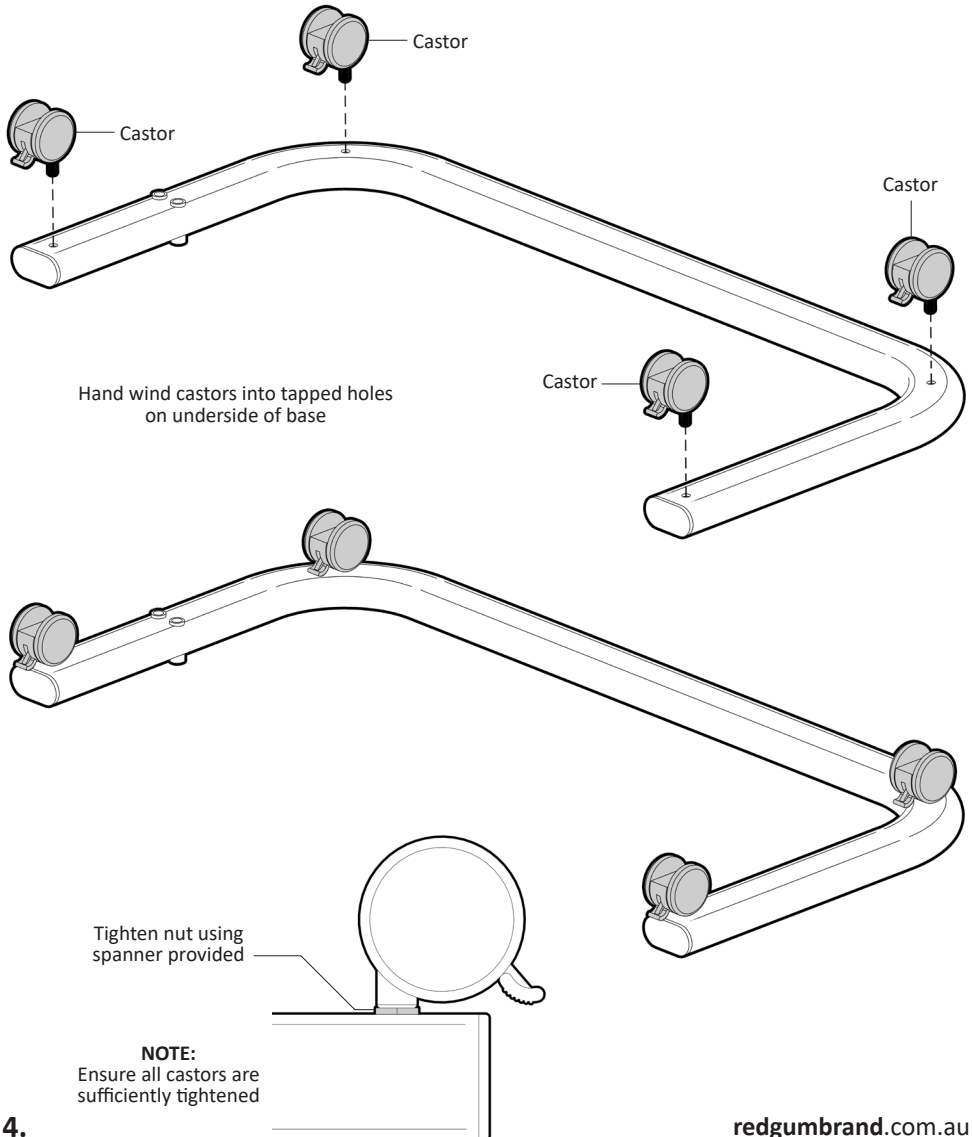
## IMPORTANT NOTE

Check the product for any visible damage. If you see any damage or suspect a fault, **DO NOT USE YOUR PRODUCT** and contact your supplier for support.

# ASSEMBLY - CASTOR INSTALLATION

Please follow these steps to install the castors onto the base:

1. Lie the base down with the 4 holes on underside facing up.
2. Hand wind in castors (Ensure castors with brakes are fitted to end of base frame).
3. Using the spanner provided - tighten castors.

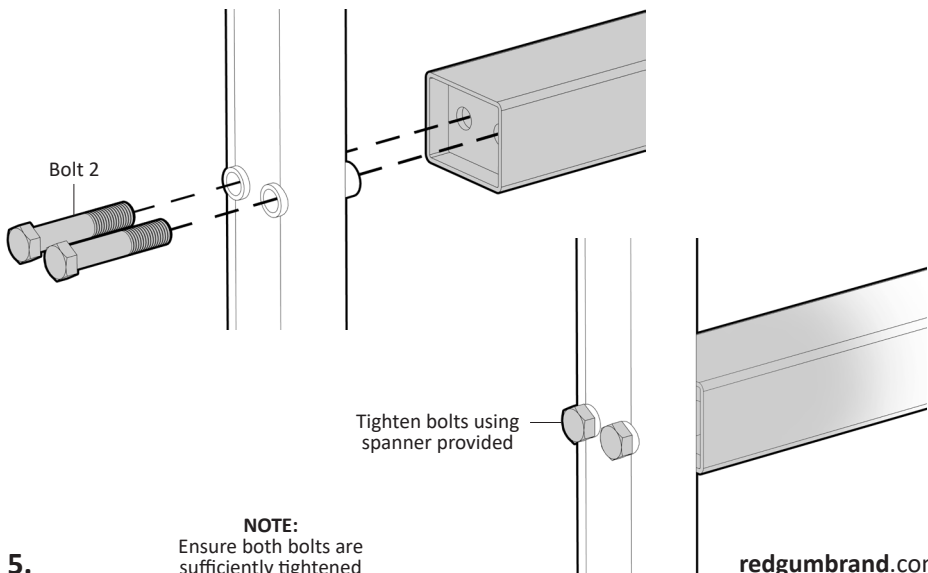
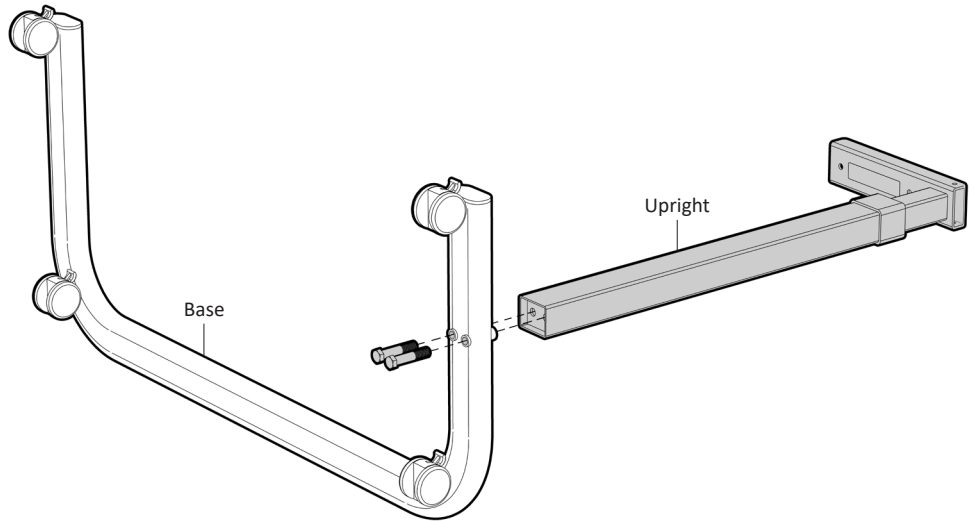


4.

# ASSEMBLY - UPRIGHT INSTALLATION

Please follow these steps to install the upright onto the base:

1. Position base on side as shown.
2. Line up holes in underside of upright with holes in base.
3. Hand wind in both bolts (**Bolt 2 to be used**).
4. Using the spanner supplied - tighten both bolts.



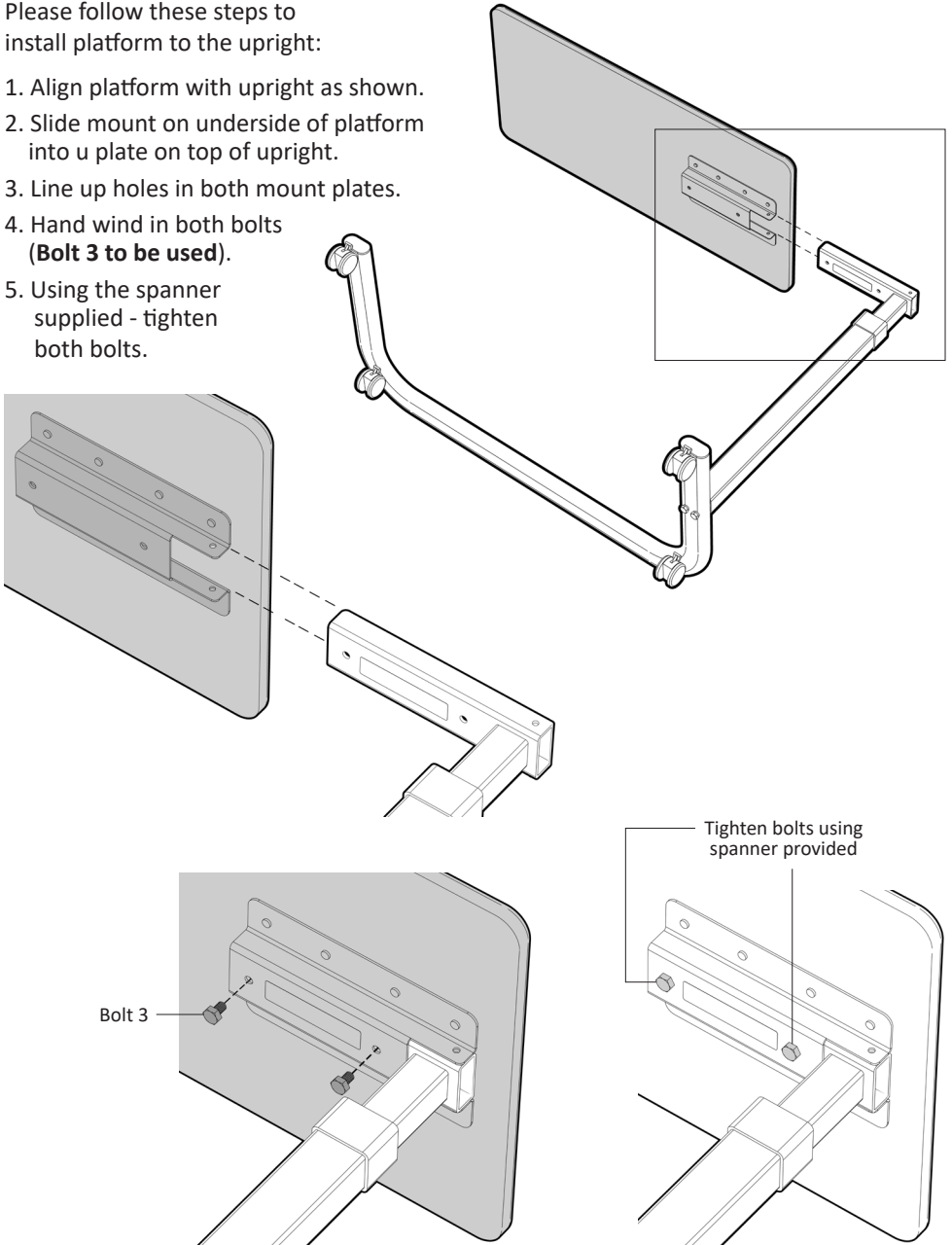
**NOTE:**  
Ensure both bolts are sufficiently tightened



# OPERATION - PLATFORM INSTALLATION

Please follow these steps to install platform to the upright:

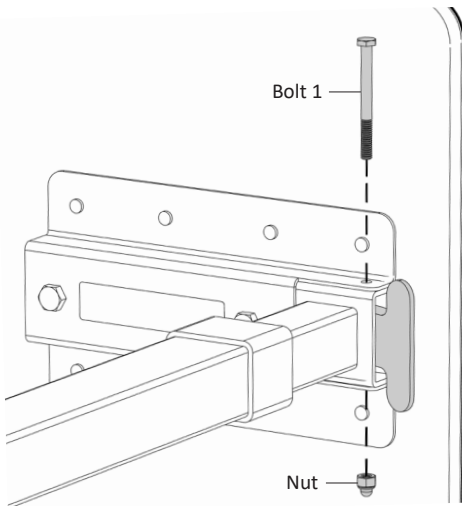
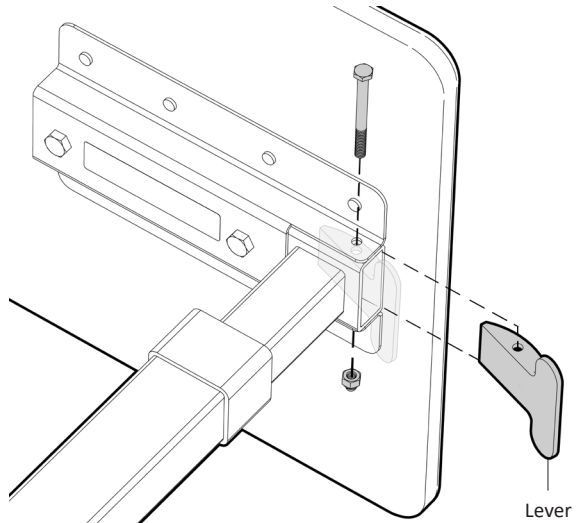
1. Align platform with upright as shown.
2. Slide mount on underside of platform into u plate on top of upright.
3. Line up holes in both mount plates.
4. Hand wind in both bolts  
**(Bolt 3 to be used)**.
5. Using the spanner supplied - tighten both bolts.



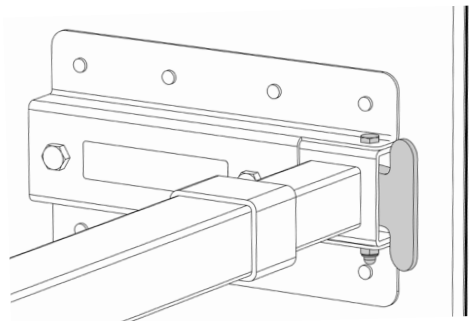
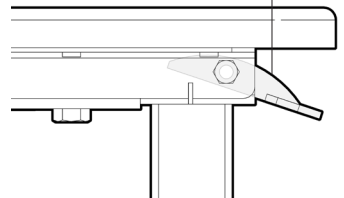
# ASSEMBLY - LEVER INSTALLATION

Please follow these steps to install the lever onto the upright:

1. Line up the lever with the curved back facing toward platform.
2. Align hole in lever with holes in upright mount.
3. Slide bolt 1 through aligned holes.
4. Hand wind nut onto bolt.
5. Using spanner provided and adjustable spanner - tighten nut.



Curved back on lever to be facing up



**NOTE:**

Ensure nut is sufficiently tightened

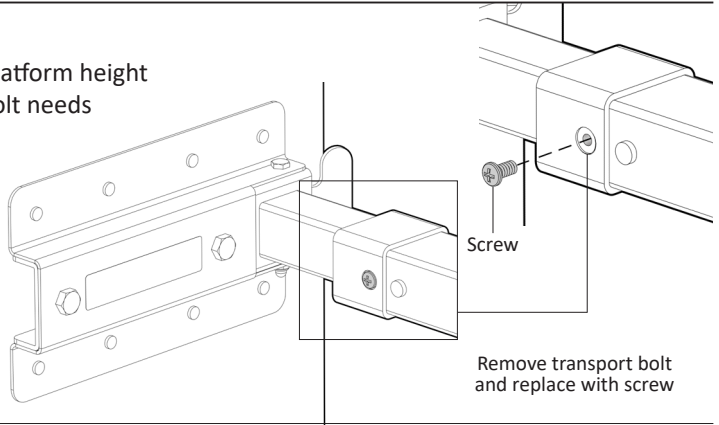
# OPERATION - PLATFORM HEIGHT ADJUSTMENT

## IMPORTANT NOTE:

Prior to adjusting the platform height the transport locking bolt needs to be removed.

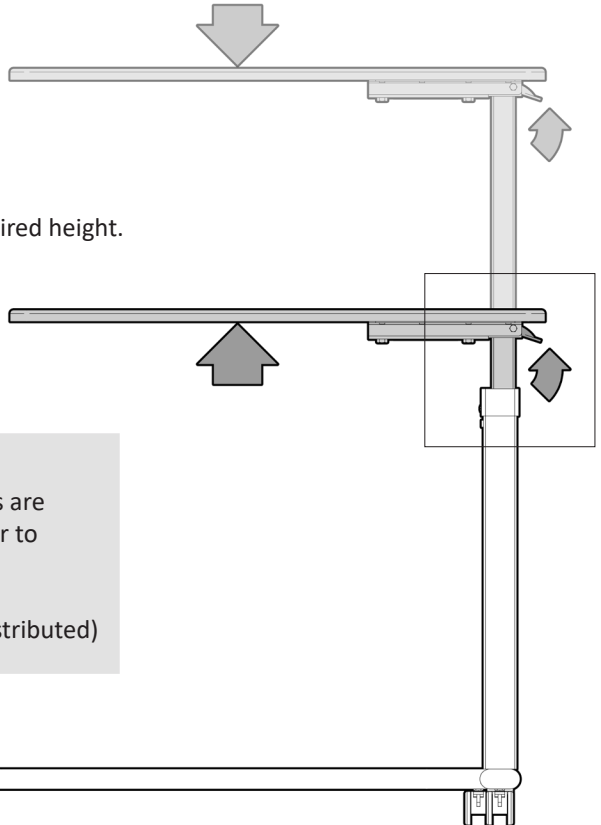
Using a phillips head screw driver:

1. Remove the bolt in upright.
2. Replace the bolt with screw.



Please follow these steps to adjust the height of the platform:

1. Pull up on the lever.
2. With the lever pulled up - adjust the platform to the required height. (Pull up or push down)
3. Release the lever to set the platform at the height.



## IMPORTANT NOTE:

It is recommended that all items are removed from the platform prior to adjusting height.

Maximum load: **12kg** (Evenly distributed)

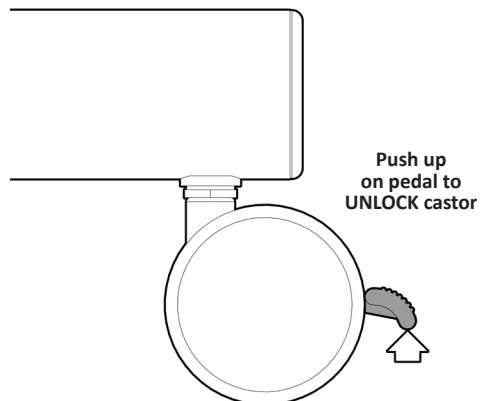
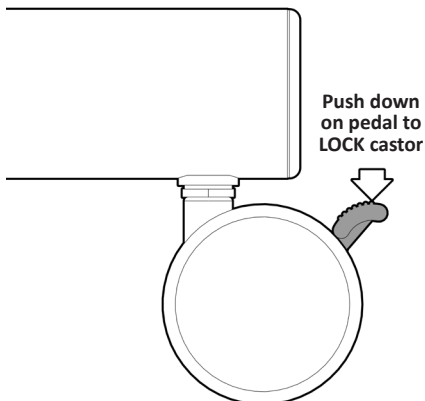
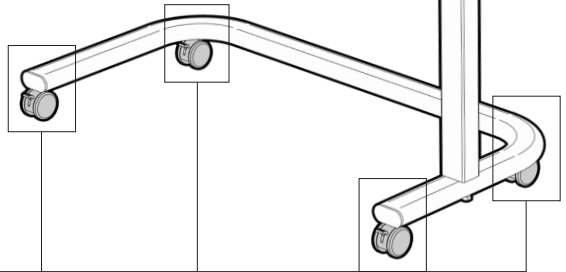
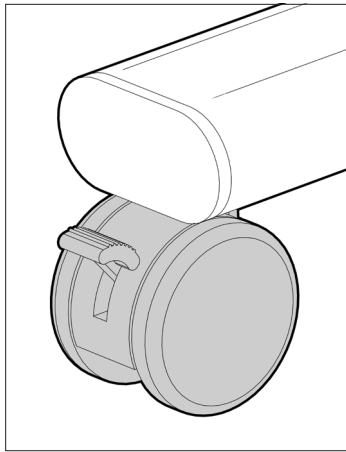
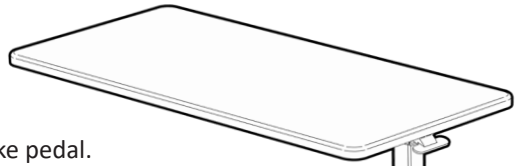
# OPERATION - LOCKING CASTORS

---

The Over Bed / Chair Table  
has 4 locking swivel castors:

To **LOCK** the castor:  
Using your foot - press **DOWN** on the brake pedal.

To **UNLOCK** the castor:  
Using your foot - push **UP** on the brake pedal.



# USAGE GUIDELINES - DO's + DON'TS

---

Please follow these guidelines to get the optimal benefit from the Over Bed / Chair Table.

Failure to follow these guidelines may result in damage to the Over Bed / Chair Table and put the user at risk.

The Over Bed / Chair Table is designed to take 12kg Maximum Load (evenly distributed). Do not overload the table!

Ensure any fasteners are adequately tightened after assembly and adjustment.

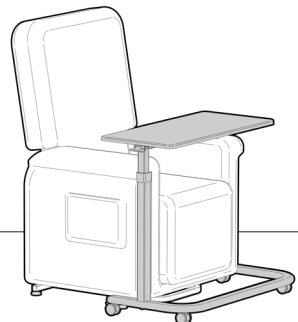
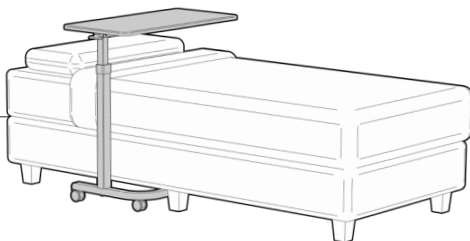
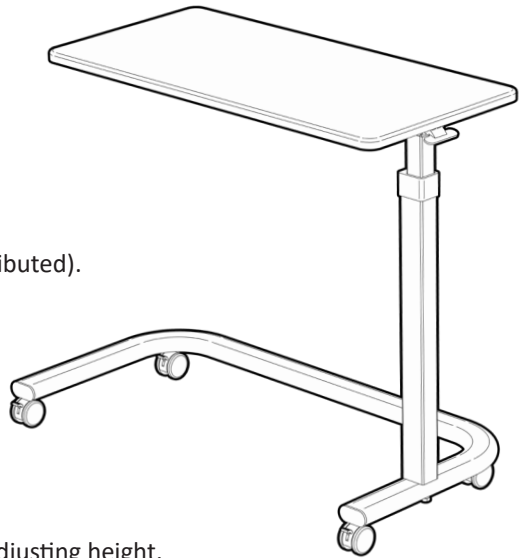
It is recommended that all items are removed from the platform prior to adjusting height.

Do not use this product as a walking aid or as a sitting / standing aid.

Ensure all castors are unlocked prior to moving table. Lock castors when appropriate.

This product is designed for INDOOR USE only.

Over Bed / Chair table can be pulled apart for storage or transport if required and reassembled for use.



# REDGUM Brand PRODUCT RANGE

---

## INSPECTIONS

We suggest that you visually check the Over Bed / Chair Table periodically for signs of damage or wear prior to use. Overall check that no components are loose or worn. Please check all aspects paying particular attention to the following areas :

- Platform
- Frame
- Castors (Free wheeling - remove any built up material ie. hair / lint)
- Height adjustment lever



**Withdraw the Over Bed / Chair Table immediately if you suspect damage or any other fault. If in any doubt, please do not issue or use, but immediately contact your supplier for service support.**

## IMPORTANT NOTE

Do not fit any parts or accessories to your Over Bed / Chair Table that are manufactured by another company. To do so will void your warranty and may seriously compromise your safety.

## CLEANING

Clean the Over Bed / Chair Table using a non-abrasive cleaner or mild detergent with a soft cloth.

Abrasive cleaners or abrasive cleaning pads could damage the Over Bed / Chair Table and should not be used.

Inspect and remove any debris (including hair / lint) from castors.



# WARRANTY

---

The REDGUM Brand **RG624 - OVER BED / CHAIR TABLE** is covered by a **12 Month Warranty** from the date of purchase.

If the product has any manufacturing faults during this period contact the place of purchase for assessment. Failures as a result of **ACCIDENTAL MISUSE, MODIFICATION OR WEAR AND TEAR ARE NOT COVERED BY THIS WARRANTY.**

Our goods come with guarantees that cannot be excluded under the Australian Consumer Law. You are entitled to a replacement part for a major failure and for compensation for any other reasonably foreseeable loss or damage. You are entitled to have the goods repaired or replaced if the goods fail to be of acceptable quality and failure does not amount to major failure.

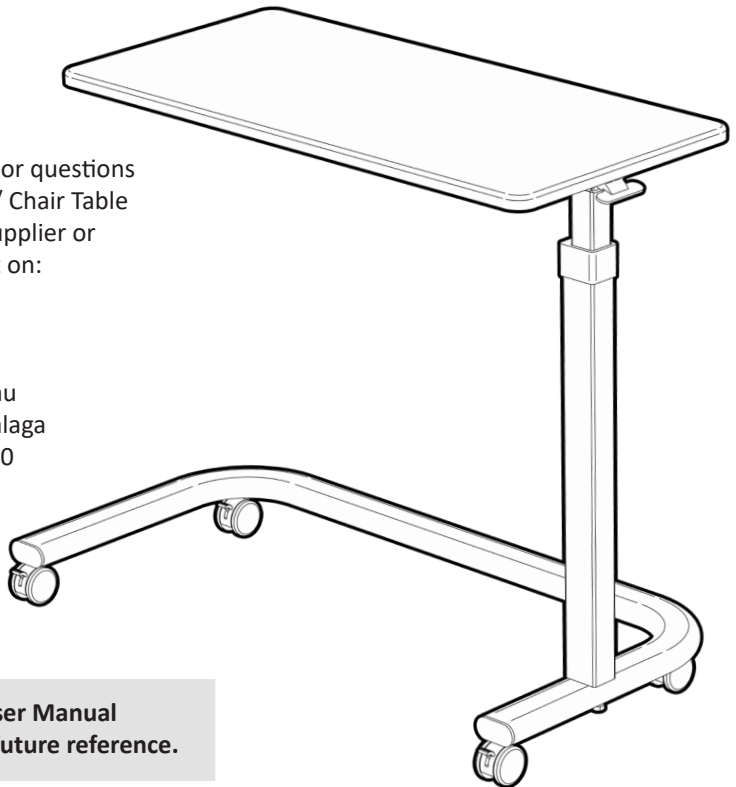
If you have any issues or questions about your Over Bed / Chair Table please contact your supplier or REDGUM Brand direct on:

T: +61 8 9248 4180

F: +61 8 9248 9452

E: [sales@for-de.com.au](mailto:sales@for-de.com.au)

A: 1 Business Way, Malaga  
Western Australia 6090



**Please keep this User Manual  
in a safe place for future reference.**

**DISTRIBUTOR:**

**REDGUM** BRAND  
*Daily Living and  
Lifestyle Products*



**Proudly Australian Owned and Operated**

[redgumbrand.com.au](http://redgumbrand.com.au)