

The folding reacher can assist with picking up things that are out of reach:

- Rubbish
- Books
- Cups / Bottles
- Keys
- Remote control
- Clothes etc...

Thank you for purchasing this quality **REDGUM Brand** product. If you have any issues or questions about the Folding Reacher please contact your supplier or REDGUM Brand direct:

T: **+61 8 9248 4180**

E: **orders@for-de.com.au**

A: **1 Business Way, Malaga, Western Australia 6090**

FEATURES

- Excellent aid to extend user's reach
- Rotatable head 0°-90°
- Folds for storage
- Minimal hand grip required to operate jaws
- Ergonomic soft rubber handle
- Large multi finger trigger
- Rubber grip on jaws

SPECIFICATIONS

Overall Dimensions:

L: **810mm (470mm when folded)**

W: **100mm**

H: **130mm**

Internal Jaw size: **100mm**

Product weight: **240g**

Max. pick up load weight: **1.5kg**

INTENDED USE

This product has limitations and should be used in accordance to these guidelines. Failure to follow these guidelines may result in damage to the product and injury to the user. It is the responsibility of the user to ensure the suitability of this product for its intended use. The user should consult their appropriate healthcare professional if unsure of the correct product usage for their unique circumstances. Only use the Folding Reacher to extend your reach and assist with picking up things that are not heavier than 1.5kg.

Not to be used for any other purpose.

INSPECT SUPPLIED PARTS If you see any damage or suspect a fault, DO NOT USE THE PRODUCT and contact your supplier for support.

INSPECTIONS

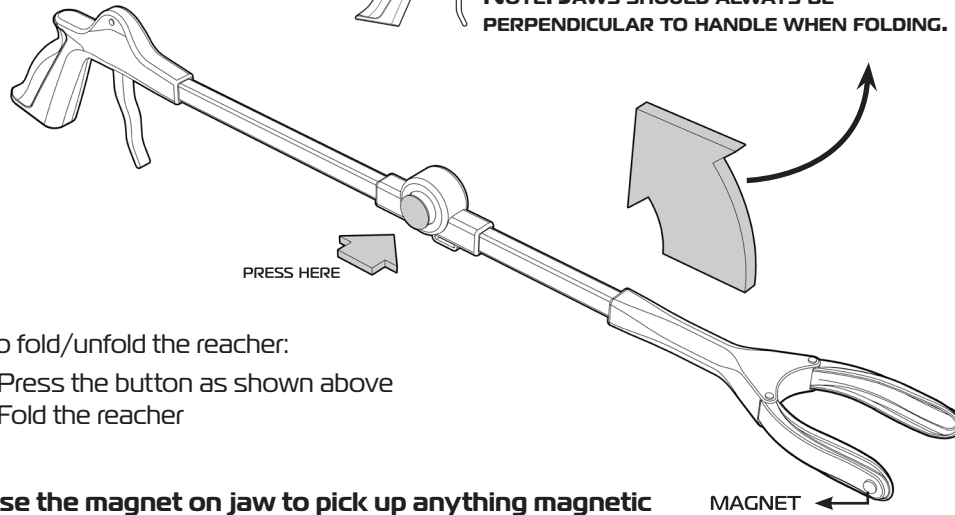
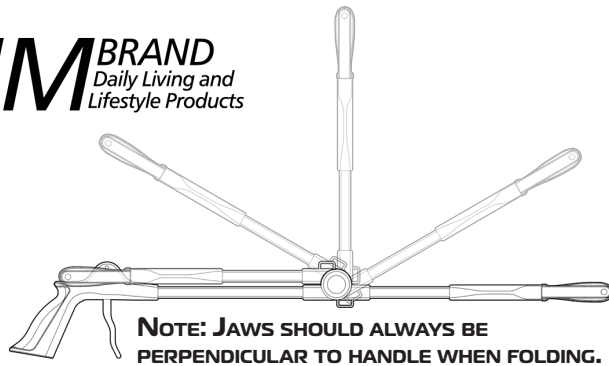
We recommend that the Folding Reacher is visually checked periodically for signs of damage or wear prior to use. Withdraw the Folding Reacher immediately from use if you suspect damage or any other fault. If in any doubt, please do not issue or use and contact your supplier for support.

Please turn over for more instructions

ASK FOR THE BRAND

redgumbrand.com.au

USER GUIDE



To fold/unfold the reacher:

- Press the button as shown above
- Fold the reacher

CLEANING

Clean the Folding Reacher using a non-abrasive cleaner or mild detergent with a soft cloth. Abrasive cleaners or abrasive cleaning pads could damage the folding reacher and should not be used. If you have any questions about the cleaning of the product please contact your supplier or REDGUM brand direct.

WARRANTY

Folding Reacher (RGMF32) is covered by a 12 Month Warranty from the date of purchase.

If the product has any manufacturing faults during this period contact the place of purchase for assessment. Failures as a result of ACCIDENTAL MISUSE, MODIFICATION OR WEAR AND TEAR ARE NOT COVERED BY THIS WARRANTY. Our goods come with guarantees that cannot be excluded under the Australian Consumer Law. You are entitled to a replacement part for a major failure and for compensation for any other reasonably foreseeable loss or damage. You are entitled to have the goods repaired or replaced if the goods fail to be of acceptable quality and failure does not amount to major failure. Do not modify or fit any parts or accessories to the Folding Reacher that are manufactured by another company. To do so will void your warranty and may seriously compromise your safety.

FOLDING REACHER USER MANUAL RGMF32

