

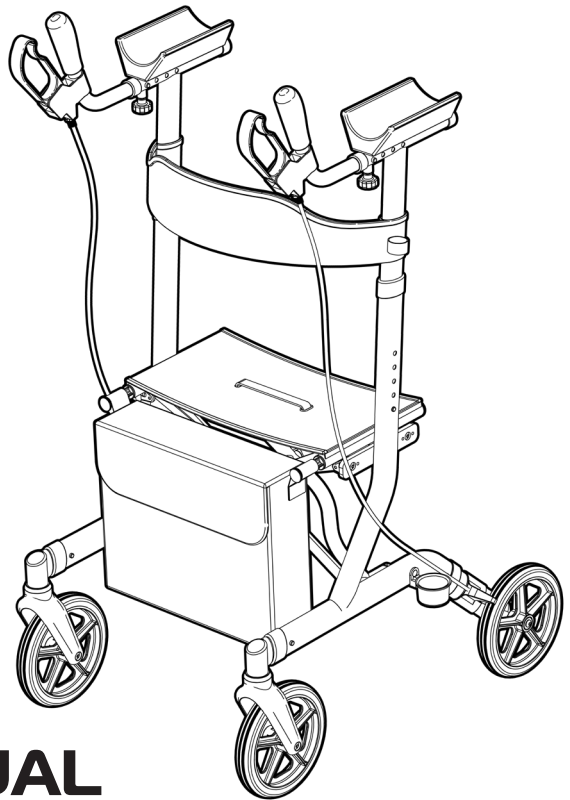
**REDGUM brand**  
ASSISTED LIVING PRODUCTS



**AUSTRALIAN**  
Owned  
Operated

# WALKING TUTOR WITH SEAT

RG4320AA



## USER MANUAL

---

Please read and keep these instructions

*ASK FOR THE BRAND*

[redgumbrand.com.au](http://redgumbrand.com.au)

# **REDGUM brand**

## **ASSISTED LIVING PRODUCTS**

**REDGUM Brand** owns the copyright to the Walking Tutor user manual. Any information contained in this user manual shall not be photocopied, reproduced or translated into any other languages without the prior written consent of REDGUM Brand.

**REDGUM Brand** strives to provide the highest quality products possible. Products are subject to change without notice.

© Copyright **REDGUM Brand**



**REDGUM Brand** is part of **FOR-DE Group Pty Ltd**

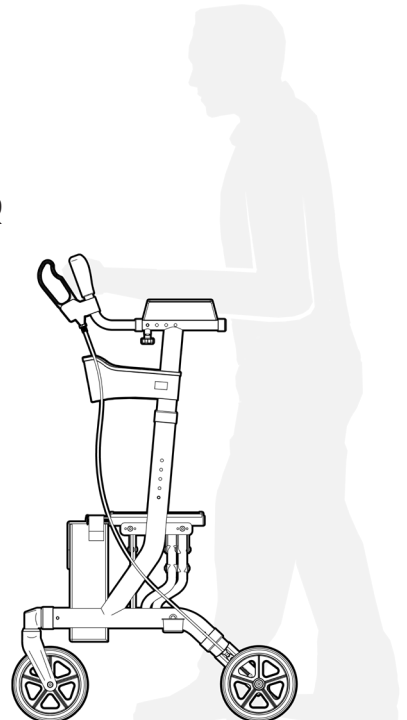
*ASK FOR THE BRAND*

**redgumbrand.com.au**

# CONTENTS

---

1. **INTRODUCTION**
2. **PRODUCT OVERVIEW**
3. **UNPACK and INSPECT PARTS**
4. **UNFOLD FRAME**
5. **FIT FRONT WHEELS**
6. **FIT REAR WHEELS**
7. **FIT HANDLES**
8. **ADJUST HANDLES**
9. **FIT BAG**
10. **FIT WALKING STICK CUP**
11. **BRAKING**
12. **USAGE**
13. **FOLDING WALKING TUTOR**
14. **PRODUCT CARE**
15. **WARRANTY**
16. **REDGUM BRAND RANGE**



# INTRODUCTION

---

Thank you for purchasing this REDGUM Brand product.

If you have any issues or questions about the Walking Tutor please contact your supplier or REDGUM Brand direct:

T: **+61 8 9248 4180**

E: **orders@for-de.com.au**

A: **1 Business Way, Malaga, Western Australia 6090**

## INTENDED USE

This product has limitations and should be used in accordance to these guidelines. Failure to follow these guidelines may result in damage to the product and injury to the user. It is the responsibility of the user to ensure the suitability of this product for its intended use. The user should consult their appropriate healthcare professional if unsure of the correct product usage for their unique circumstances.

Only use the Walking Tutor for its intended purpose which is as a walking and sitting aid that can adjust to suit the users individual requirements.

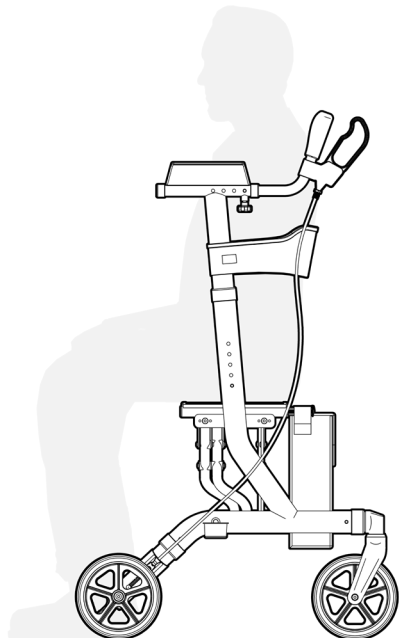
Suitable for indoor and outdoor use.

### IMPORTANT NOTE

This equipment **MUST** be assembled by a competent person.

#### **Maximum User Weight: 136kg**

Exceeding the weight limit could cause damage to the product and could put the user at risk.



1.

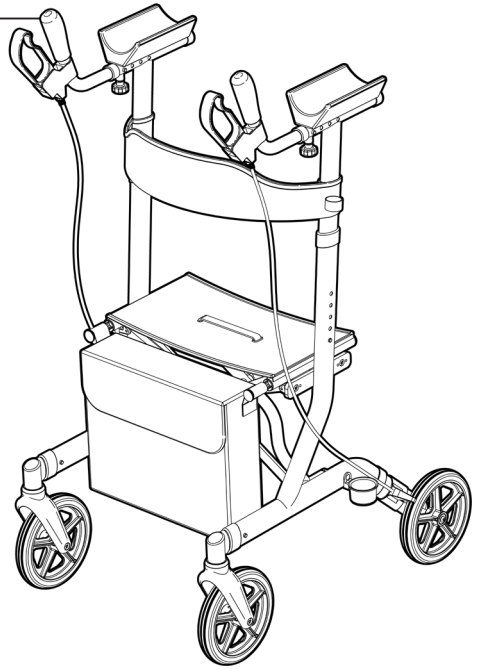
*ASK FOR THE BRAND*

**redgumbrand.com.au**

# PRODUCT OVERVIEW

## FEATURES

- Great walking and stability aid
- Height adjustable handles
- Padded forearm supports
- Ergonomic rubber hand grips
- User friendly loop brake handles
- Mesh seating
- Removable carry bag
- Walking stick holder
- Large wheels for excellent mobility
- Folds up for transport and storage



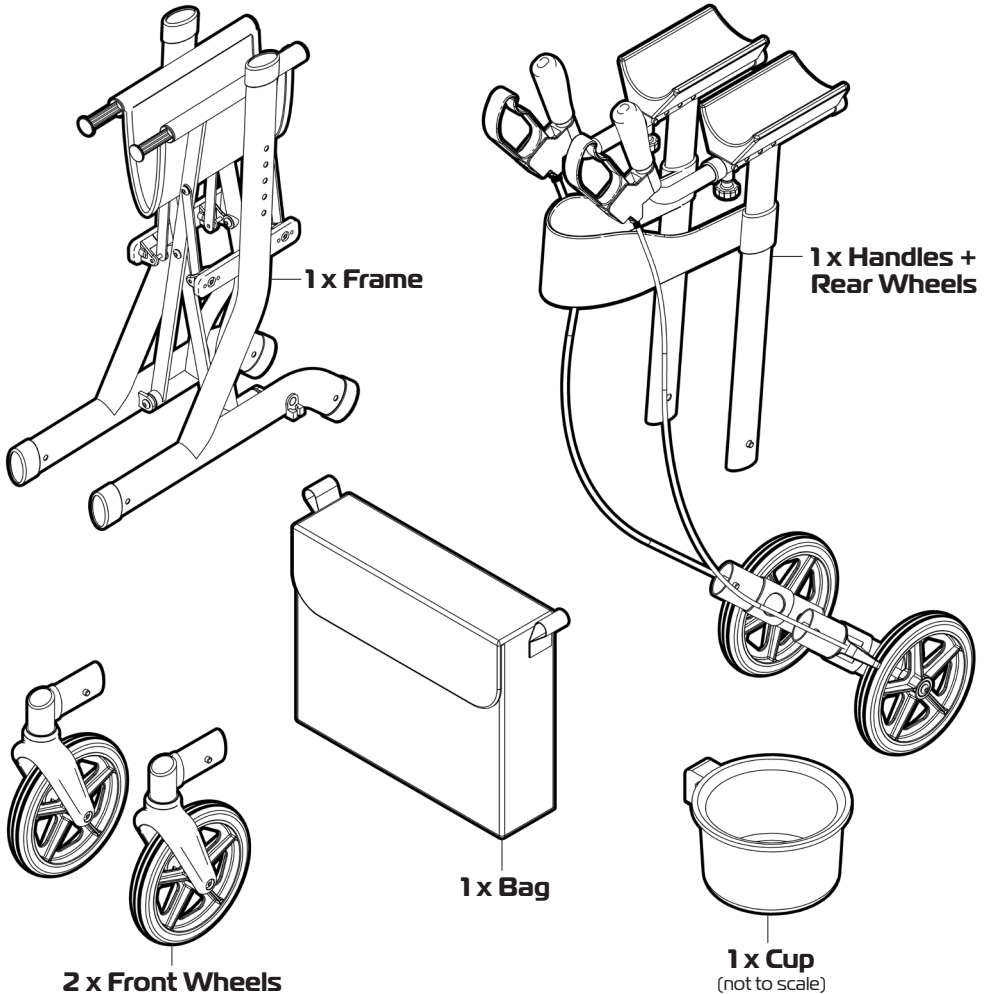
## SPECIFICATIONS (All dimensions shown are nominal)

- Overall: **790mm L x 645mm W x 1235mm H** (at lowest setting)
- Overall Folded: **790mm L x 270mm W x 1235mm H**
- Forearm Support Height: **1075 - 1175mm** (floor to seat) (**5 settings**)
- Seat: **455mm W x 250mm D x 530mm H** (floor to seat)
- Wheel Diameter: **Ø200mm / 8"**
- Carry Bag: **385mm W x 90mm D x 305mm H**
- Product Weight: **9kg**
- Maximum User Weight: **136kg**
- Maximum Carry Bag Loading Weight: **5kg**

Please contact **REDGUM Brand** if you would like any further information on the Walking Tutor.

# UNPACK and INSPECT PARTS

Ensure you have been supplied with the following parts:



Please take care when unpacking the product and removing the protective packing materials. Check the product for any visible damage. If you see any damage or suspect a fault, **DO NOT USE THE PRODUCT** and contact your supplier for support. Please recycle packaging accordingly :)

3.

ASK FOR THE BRAND

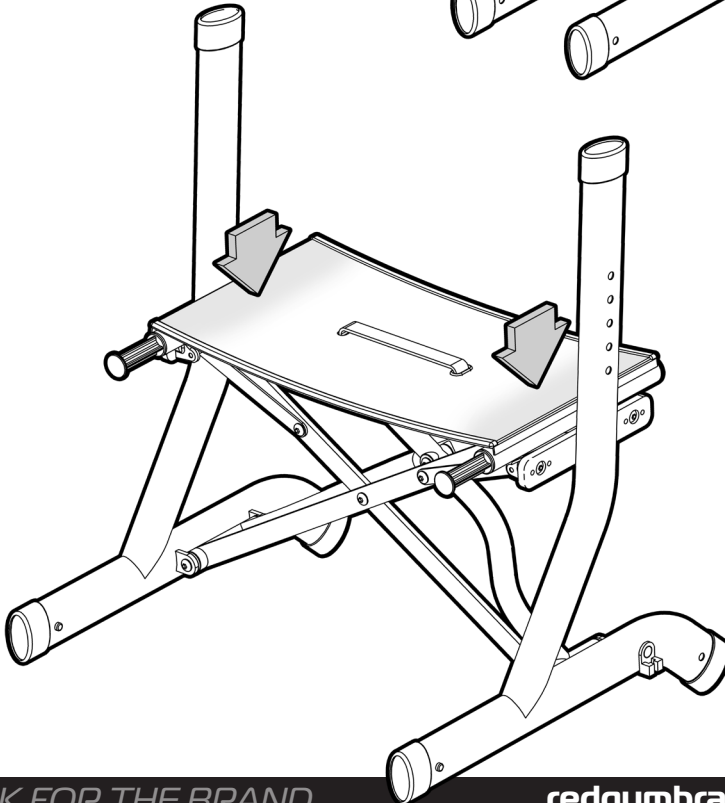
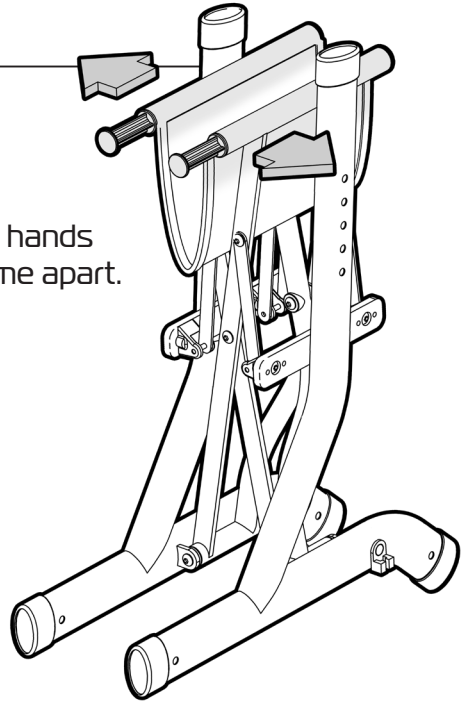
redgumbrand.com.au

# UNFOLD FRAME

Please follow these steps to unfold the frame:

1. Using both hands pull the frame apart.

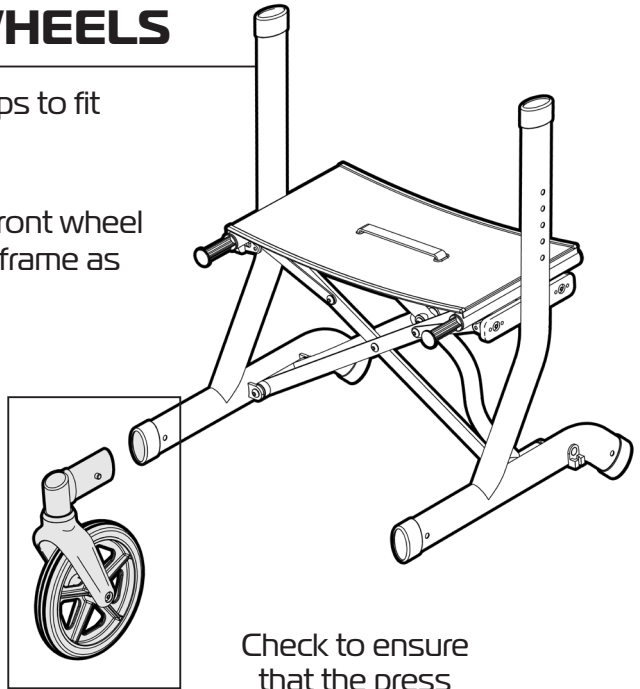
2. Push down on both sides of the seat until a loud "click" is heard which indicates that the seat is now locked in position.



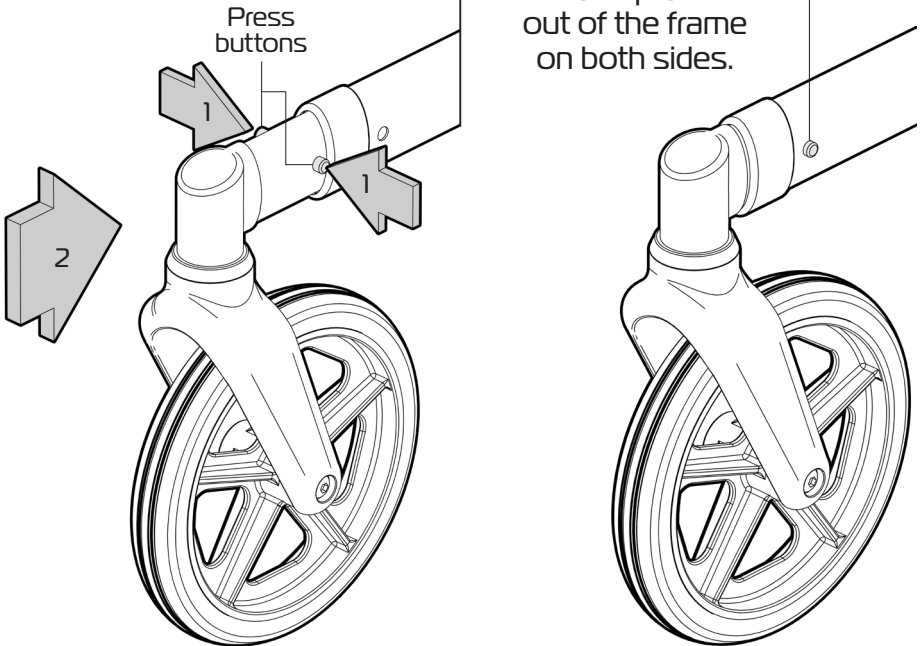
# FIT FRONT WHEELS

Please follow these steps to fit the front wheels:

1. Slide the tube on the front wheel into the open tube on frame as shown.
2. Push in the press buttons on either side (1) and continue to slide the wheel tube into the frame (2) until a loud "click" is heard and the press buttons pop out of the holes in frame.



Check to ensure that the press buttons protrude out of the frame on both sides.



5.

ASK FOR THE BRAND

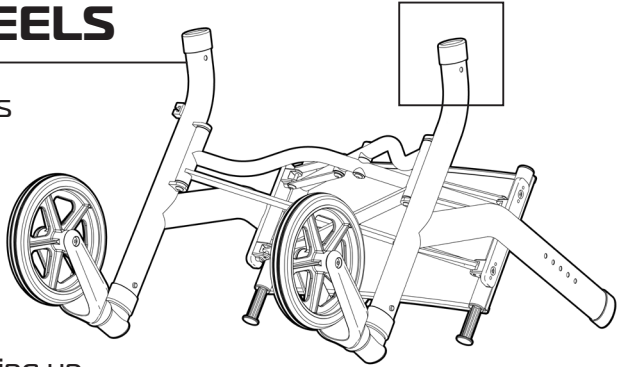
redgumbrand.com.au



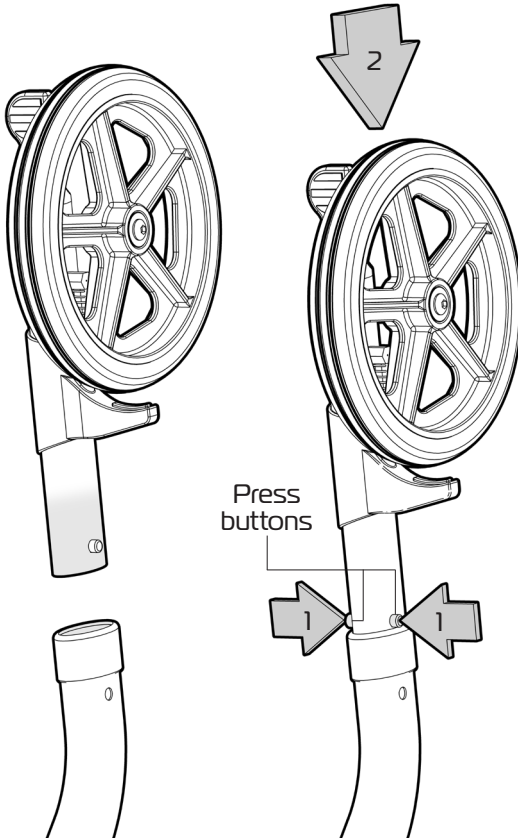
# FIT REAR WHEELS

Please follow these steps to fit the rear wheels:

1. Determine the correct rear wheel assembly prior to fitting. Wheel must be on the outside with the brake cable facing up.



2. Slide the wheel tube into the open frame as shown.



3. Push in the press buttons on either side (1) and continue to slide the wheel tube into the frame (2) until a loud “click” is heard and the press buttons pop out of the holes in frame.

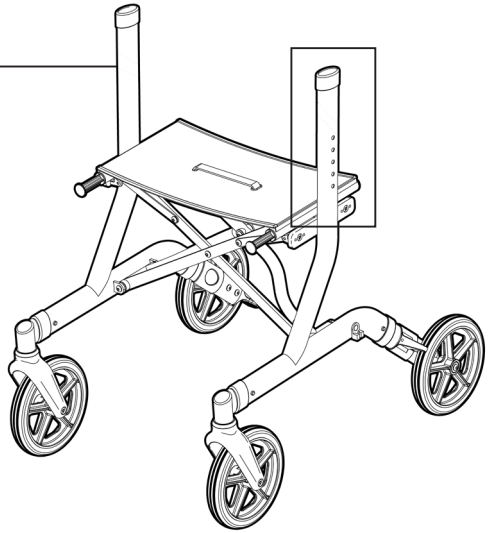
Check to ensure that the press buttons protrude out of the frame on both sides.

6.

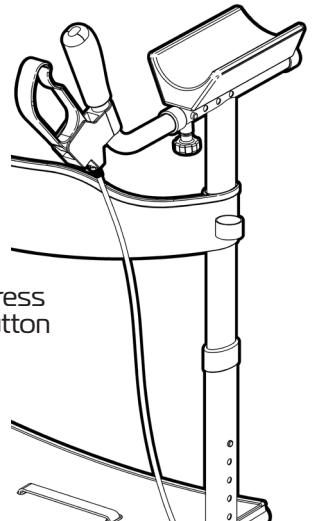
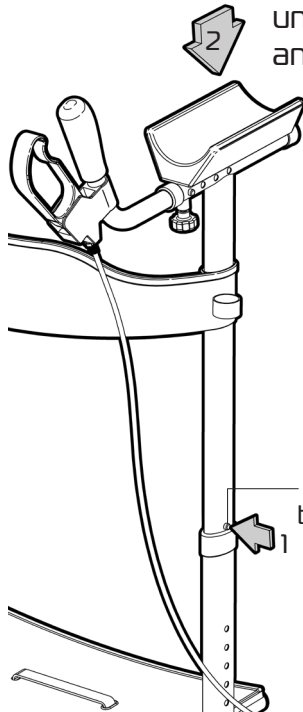
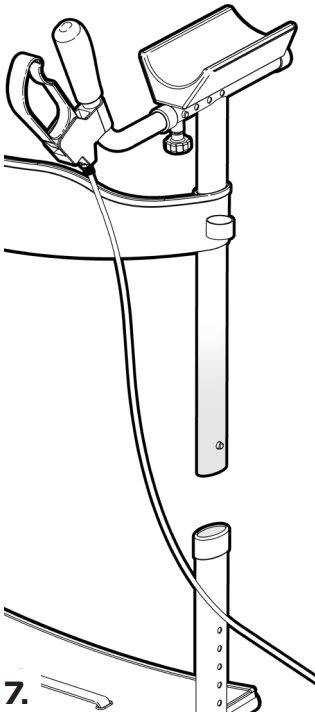
# FIT HANDLES

Please follow these steps to fit the handles:

1. Carefully flip the frame over onto the wheels.
2. Determine the correct handle assembly prior to fitting. Hand grip must be facing up and the brake cable is inline with the rear wheel.
3. Slide the handle tube into the open frame as shown.



4. Push in the press button on the side (1) and continue to slide the handle tube into the frame (2) until a loud "click" is heard and the press button pop outs of the hole in the frame.



7.

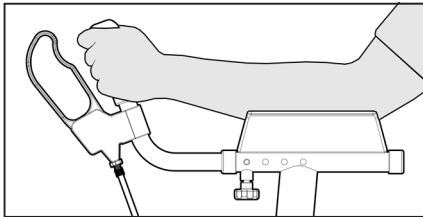
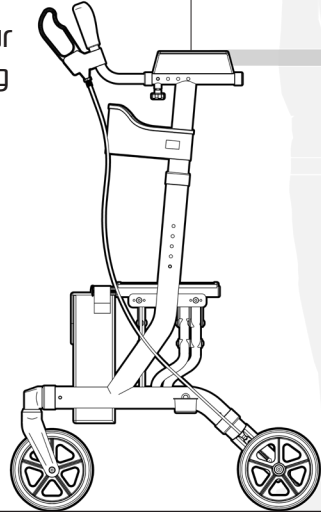
# ADJUST HANDLES

Please follow these steps to adjust the handles:

It is very important that the forearm supports and handles are set to the correct height to suit the user.

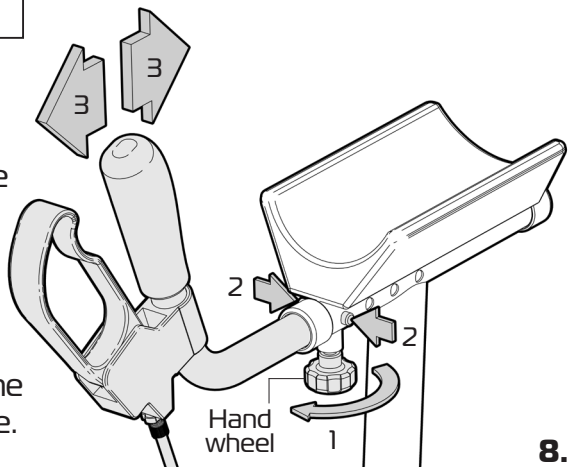
Stand behind the Walking Tutor with your shoulders relaxed and your arms hanging loosely at your sides. The height of the forearm supports should be adjusted so that they are level with your elbow.

Push in the press button on the side and slide the handle down as required. The press button will pop out of every hole setting as you adjust the handle height so you will need to push the press button again until you reach the height setting required.



Adjust the position of the handle so the elbow is close to the back edge of the forearm support pad when the hand grip is being held.

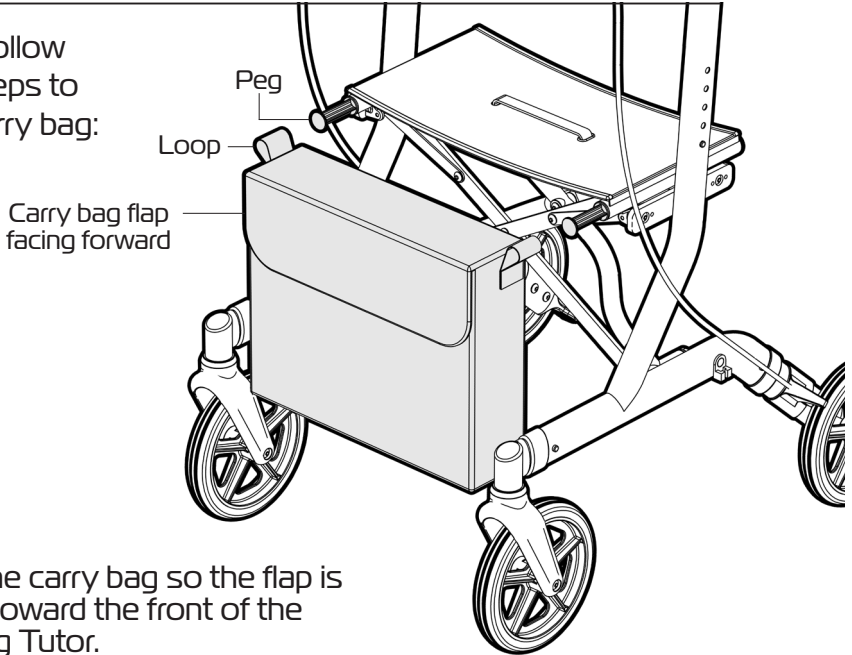
1. Undo the hand wheel (1).
2. Push in the press buttons on both sides (2) and slide the handle to the required position (3) until the press buttons pop out of holes.
3. Once the required position has been reached tighten the hand wheel to lock in place.



8.

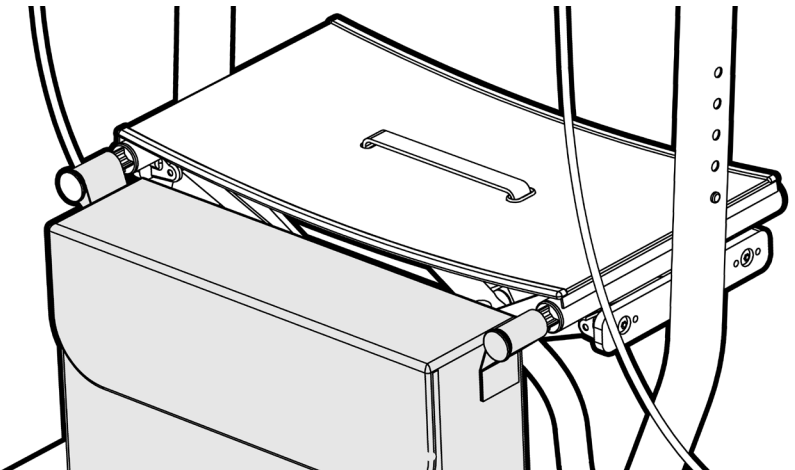
# FIT BAG

Please follow these steps to fit the carry bag:



1. Align the carry bag so the flap is facing toward the front of the Walking Tutor.

2. Slide the loops on the sides of the bag onto the pegs on the ends of the seat tubes.



9.

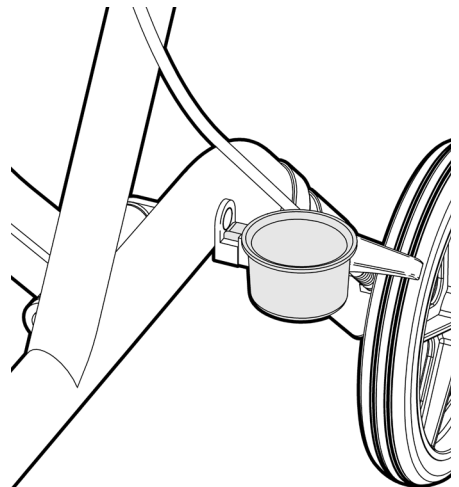
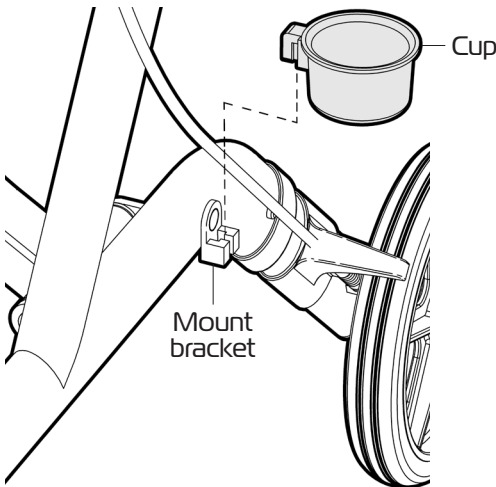
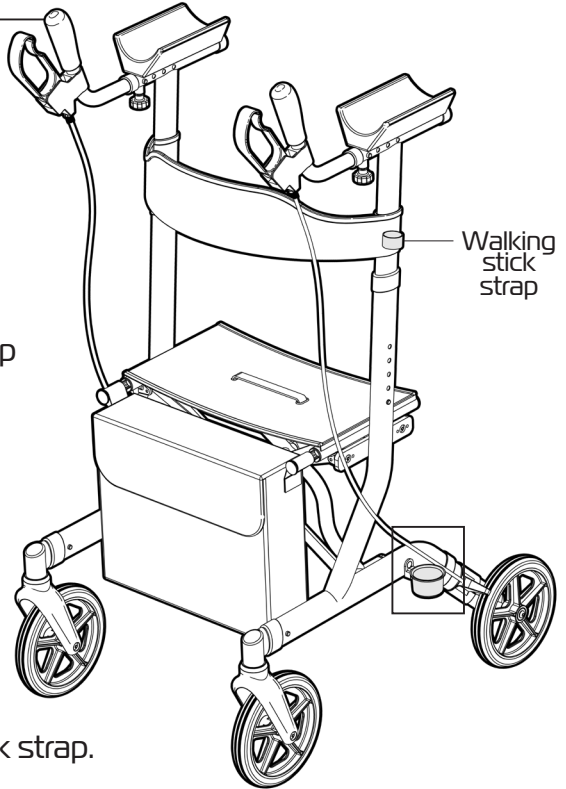
ASK FOR THE BRAND

redgumbrand.com.au

# FIT WALKING STICK CUP

Please follow these steps to fit the walking stick cup:

1. Locate the walking stick cup onto the mount bracket located on the side of the frame.
2. Once located on the mount bracket rotate the cup to be inline with the walking stick strap.

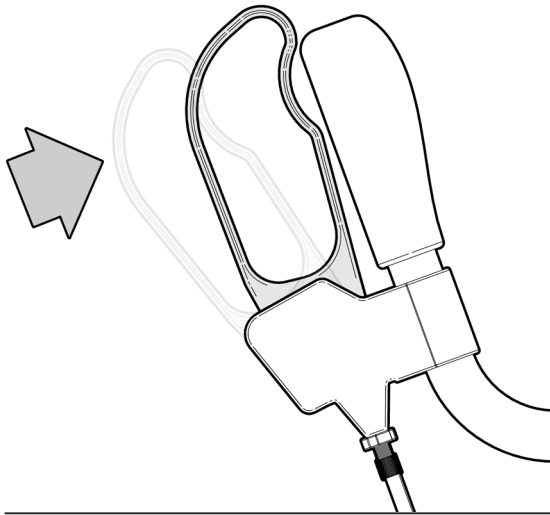


# BRAKING

---

Please follow these guidelines to brake the Walking Tutor in a safe manner:

Both hand brakes should be used simultaneously to ensure the walking tutor stops as required and the user is in full control.

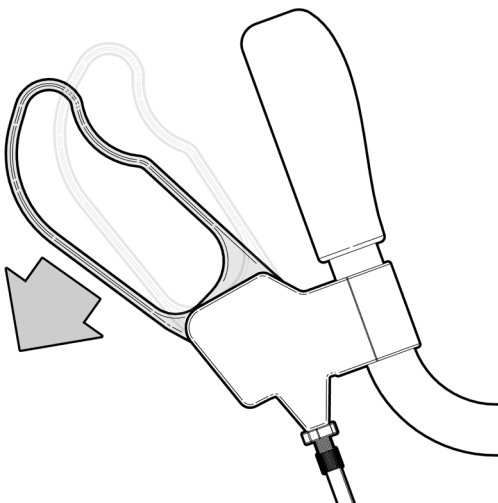


## **SLOW DOWN AND STOP**

To slow down or stop the Walking Tutor from rolling:

Gently pull back on both hand brakes simultaneously.

Release both hand brakes to allow the Walking Tutor to move again.



## **PARK BRAKE**

To engage the park brakes on the Walking Tutor:

Gently push both hand brakes forward simultaneously until a loud click is heard.

To release park brakes:

Pull back on both hand brakes simultaneously until a loud click is heard.

# USAGE

---

Please follow these guidelines to operate the Walking Tutor in a safe manner. Failure to follow these guidelines may result in damage to the product and put the user at risk.

Do not overload the Walking Tutor **(136kg max. load)**

Do not overload the carry bag **(5kg max. load)**

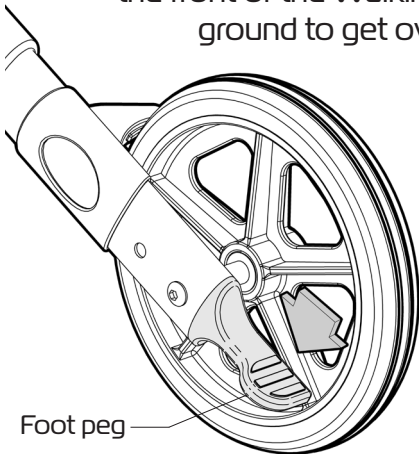
Pinch points do exist on this product. Please keep hands and any other body parts away from moving parts when folding the Walking Tutor.

We recommend that the park brakes are engaged when the user is getting on or off the Walking Tutor.

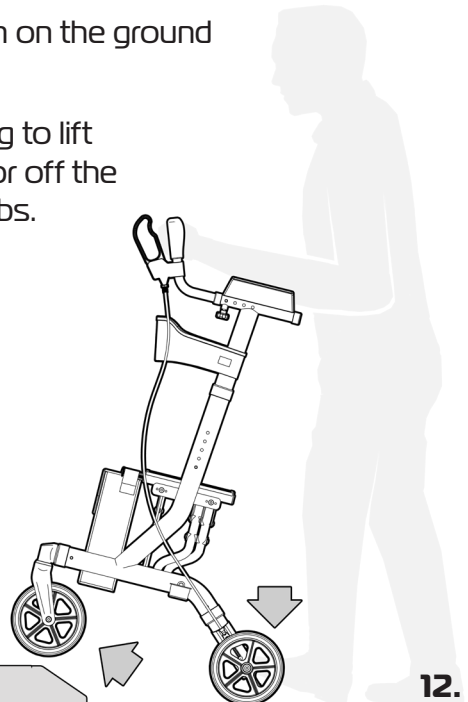
Go up or down inclines directly. Do not try to cross on an angle as this will cause instability and the Walking Tutor may tip over.

All four wheels should always remain on the ground unless mounting kerbs.

Push down on the foot peg to lift the front of the Walking Tutor off the ground to get over kerbs.

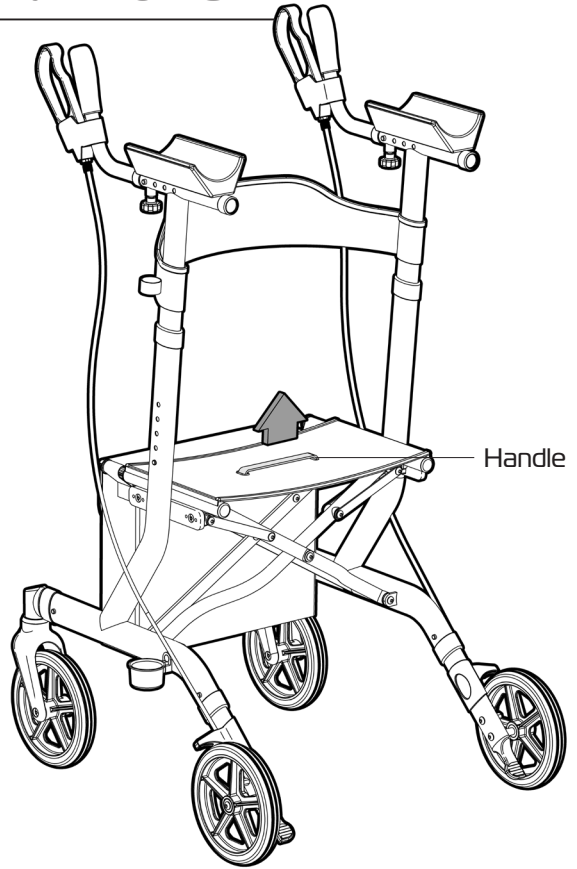
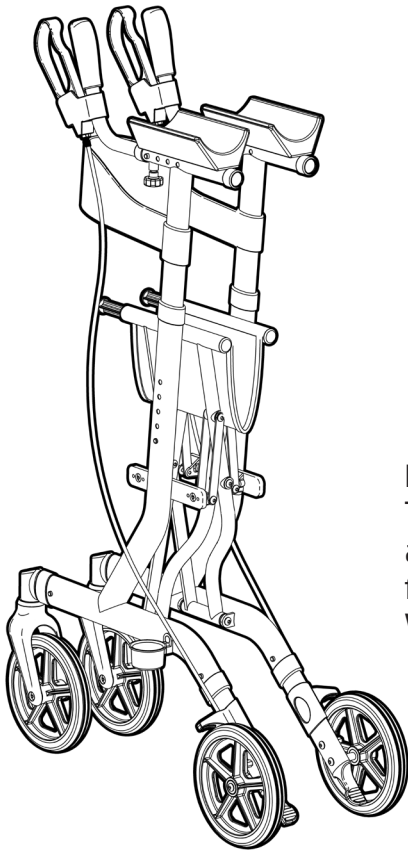


Foot peg



# FOLDING WALKING TUTOR

To fold the Walking Tutor pull up on the handle in the middle of the seat



## Important Note:

The Walking Tutor can become unstable and fall over when folded up. Ensure the front swivel wheels are inline with the Walking Tutor when folded.

Refer to page 4 for instruction on how to unfold the Walking Tutor.



# PRODUCT CARE

---

## INSPECTIONS

We suggest that you visually check the Walking Tutor periodically for signs of damage or wear prior to use, paying particular attention to the following areas:

**Framework:** Check for damage or distortion.

**Wheels:** Check to ensure the Walking Tutor rolls as required.

**Brakes:** Check to ensure both brakes work as required

**Hand grips:** Check for cracks / tears in material.

Overall check that no components are loose or worn and that the Walking Tutor operates as required.



**Withdraw the Walking Tutor immediately if you suspect damage or any other fault. If in any doubt, please do not issue or use and contact your supplier for support.**

## CLEANING

Clean the Walking Tutor using disinfectant wipes.

We do not recommend cleaning the product with soap and water.

We recommend that you attend to any required cleaning as soon as possible to reduce the possibility of staining.

Do not use any abrasive cleaners or abrasive cleaning pads as they could potentially damage the Walking Tutor.

If you have any questions about the cleaning of the Walking Tutor please contact your supplier or REDGUM brand direct.

# WARRANTY

---

The REDGUM Brand Walking Tutor with Seat (RG4320AA) is covered by a 12 Month Warranty from the date of purchase.

If the product has any manufacturing faults during this period contact the place of purchase for assessment. Failures as a result of **ACCIDENTAL MISUSE, MODIFICATION OR WEAR AND TEAR ARE NOT COVERED BY THIS WARRANTY.**

During the guarantee period, if the company is satisfied there is a genuine fault, we will repair or replace the product at our earliest convenience. There may be freight charges if product needs to be returned to your place of purchase.

In order for this guarantee to be valid, you must:

- Be the original purchaser
- Provide a copy of the original invoice.
- Comply with manufacturer care and maintenance instructions.

Our goods come with guarantees that cannot be excluded under the Australian Consumer Law. You are entitled to a replacement part for a major failure and for compensation for any other reasonably foreseeable loss or damage. You are entitled to have the goods repaired or replaced if the goods fail to be of acceptable quality and failure does not amount to major failure.

Do not modify the Walking Tutor in any way or fit any parts or accessories that are not specified as an option for the product. To do so will void your warranty and may seriously compromise your safety.

If you have any issues or questions about the Walking Tutor please contact your supplier or REDGUM Brand direct on:

T: **+61 8 9248 4180**      E: **orders@for-de.com.au**

15.

*ASK FOR THE BRAND*

**redgumbrand.com.au**

# REDGUM Brand - Product Range

---

REDGUM Brand offer a comprehensive range of products including:

**Seat Walkers**

**Side Folding Seat Walkers**

**Walking Frames**

**Wheelchairs**

**Walking Sticks + Quads**

**Crutches**

**Reachers**

**Shower / Bathroom products**

**Toilet products**

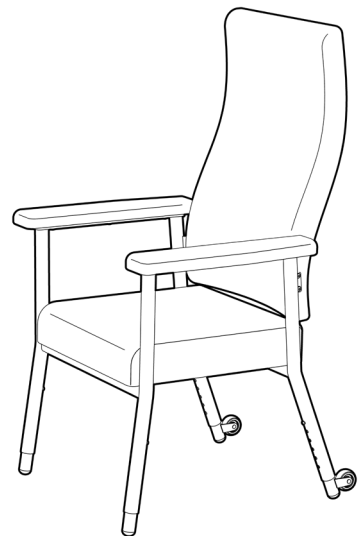
**Cushions: Air / Wedge / Foam**

**Electric Lift Chairs**

**Electric Beds / Bed accessories**

**Aluminium Ramps**

**Pedal Exercisers**



REDGUM Brand stock a large range of spare parts for all REDGUM brand products.

Please contact **REDGUM Brand** for further information.



**DISTRIBUTOR:**

